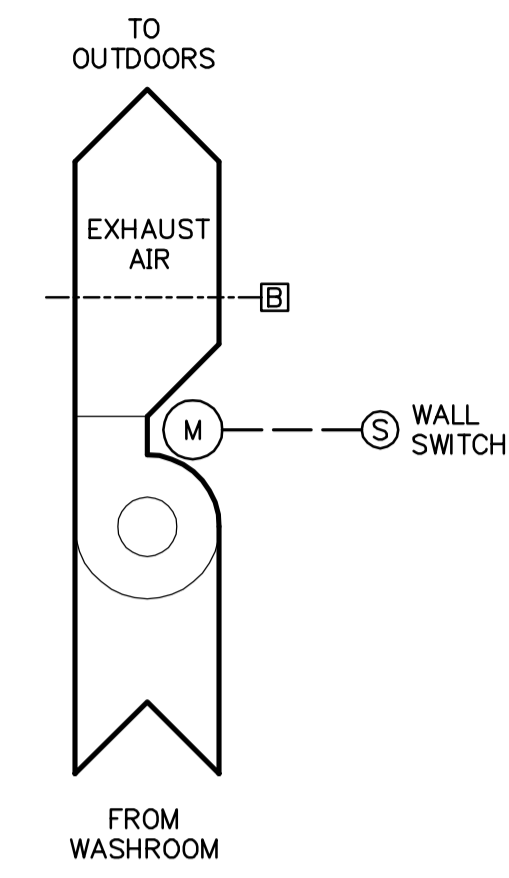
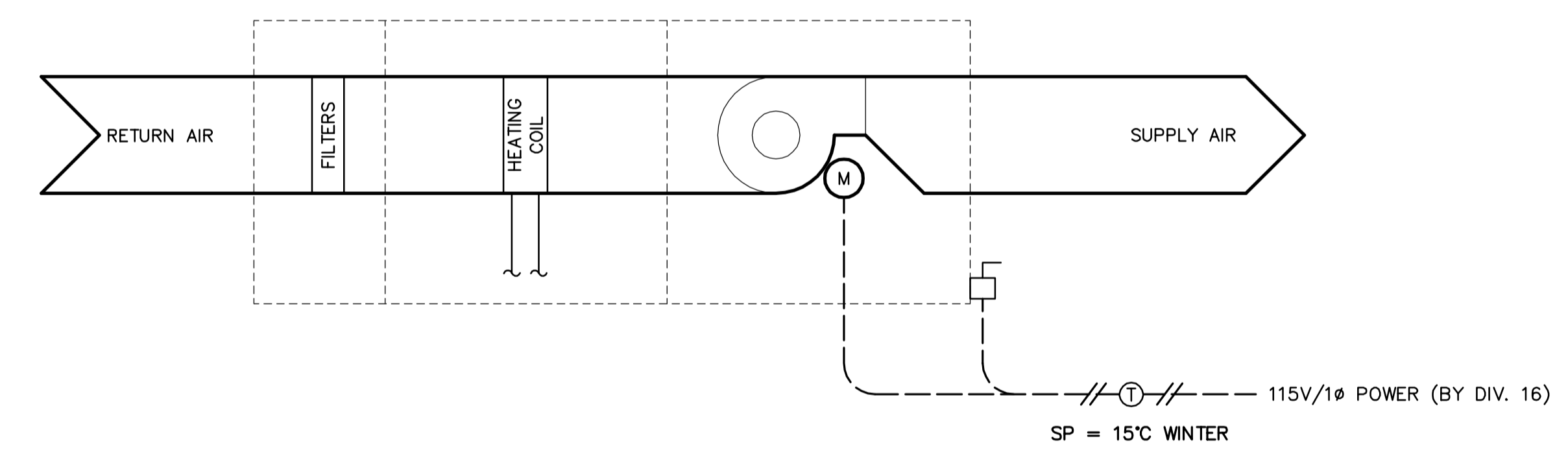


**1** U-430-AHU-1 CONTROL ROOM (FAN COIL)  
M8.04 SCALE N.T.S.

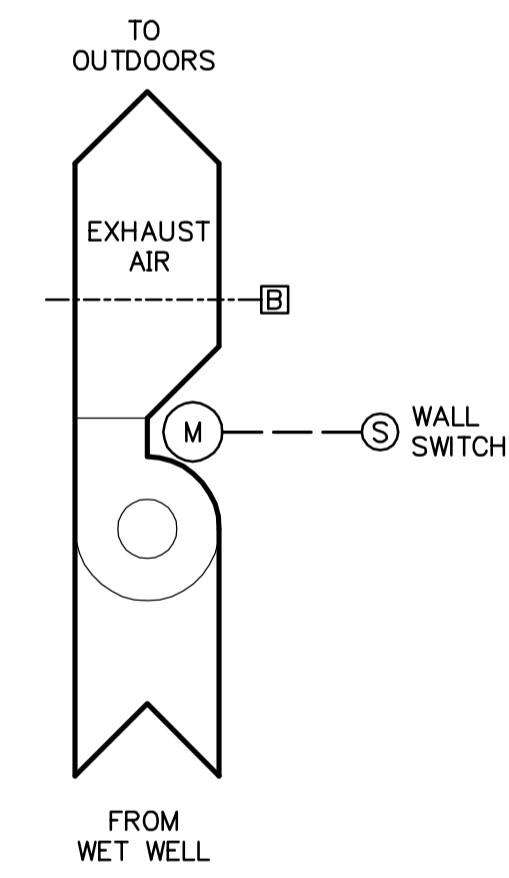
- REMOTE PANEL FUNCTIONS**
- SYSTEM H.O.A. SWITCH
  - "FAN ON" LIGHT (AIRFLOW)
  - "HEAT ON" LIGHT
  - "PLUGGED FILTER" LIGHT
  - "FAULT" LIGHT
  - ALARM ACKNOWLEDGEMENT AND RESET



**2** U-440-EF WASHROOM EXHAUST SYSTEM  
M8.04 SCALE N.T.S.



**3** U-430-AHU-2 CORRIDOR/WASHROOM (FAN COIL)  
M8.04 SCALE N.T.S.



**4** U-445-EF SAMPLING BUILDING EXHAUST SYSTEM  
M8.04 SCALE N.T.S.



B.M. ELEV.	NO.	REVISIONS	DATE	BY

<b>EARTH TECH</b>	
<small>Earth Tech (Canada) Inc. Winnipeg, Manitoba 204.477.5381</small>	
DESIGNED BY <b>PL</b>	CHECKED BY <b>AMA</b>
DRAWN BY <b>JDB, DL</b>	APPROVED BY <b>DT</b>
HOR. SCALE: NTS	
VERTICAL SCALE: NTS	
RELEASED FOR CONSTRUCTION BY: <b>T. KJARTANSON</b>	
DATE <b>2004/12/06</b>	DATE <b>2005-02-18</b>

ENGINEER'S SEAL
ORIGINAL SIGNED BY <b>P.V. LAITINEN</b>
DATE <b>FEB. 18/05</b>
CONSULTANT DRAWING NO. <b>66303D-CM8.04</b>

<b>THE CITY OF WINNIPEG</b> <b>Winnipeg WATER AND WASTE DEPARTMENT</b>		CITY FILE NUMBER
<b>NEWPCC - SECONDARY EFFLUENT UV DISINFECTION FACILITY</b>		SHEET <b>18</b> OF <b>18</b>
MECHANICAL VENTILATION SCHEMATICS SHEET 2 OF 2		CITY DRAWING NUMBER