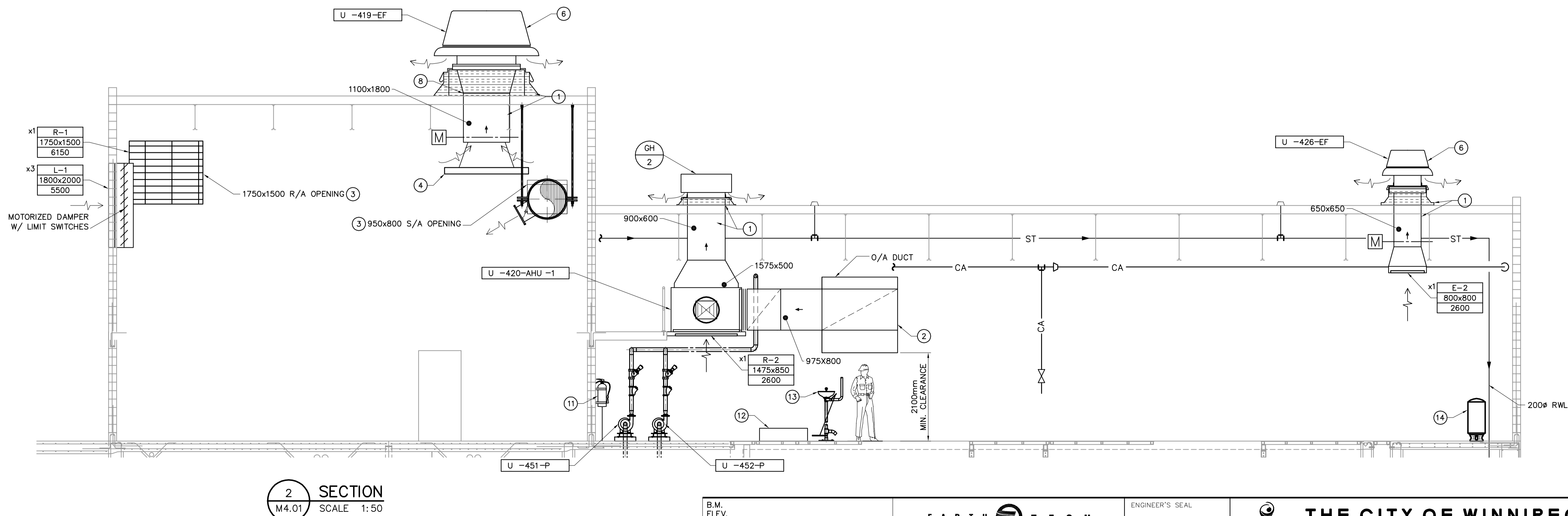


DRAWING NOTES

- 1 ROOF CURB SHALL BE THERMALLY INSULATED. ENTIRE EXHAUST DUCT LOCATED INSIDE BUILDING SHALL BE INSULATED WITH 50mm THERMAL INSULATION.
- 2 ENTIRE O/A DUCT SHALL BE INSULATED WITH 50mm THERMAL INSULATION.
- 3 OPENING INCLUDES ALLOWANCE FOR TYPE 'B' FIRE DAMPER.
- 4 SUPPLY AND INSTALL DRIP PAN UNDER EXHAUST DUCT. DRIP PAN SHALL BE MINIMUM 600mm BELOW EXHAUST DUCT END.
- 5 TOP OF VFD SHALL BE 2000mm ABOVE MEZZANINE FLOOR.
- 6 EXHAUST FAN SHALL INCLUDE A BIRD SCREEN.
- 7 DOOR OPENINGS FOR COIL REMOVAL. ENSURE ADEQUATE CLEARANCE IN FRONT OF DOOR FOR COIL REMOVAL.
- 8 PROVIDE DUCT TRANSITION FROM U-419-EF BASE BOTTOM (1400x1400) TO THE ROOF OPENING (1100x1800). CURB SHALL BE PROVIDED TO ENCLOSE ENTIRE DUCT TRANSITION AND TO SUPPORT THE WEIGHT OF U-419-EF.
- 9 PROVIDE A 690x2540 TO 750x1500 DUCT TRANSITION FROM THE U-410-AHU-1 EXHAUST DUCT TO GH-1.
- 10 EXHAUST DUCT GOING TO "UV 105" SHALL TRANSITION FROM DUCT SIZE 200x2540 TO SIZE 300x1850 AFTER EDGE OF O/A DUCT.
- 11 FIRE EXTINGUISHER.
- 12 MOP SINK.
- 13 EYEWASH STATION.
- 14 PRESSURE TANK.

GENERAL NOTES

1. COORDINATE WITH OTHER TRADES SO AS TO PREVENT CONFLICTS.
2. PROVIDE 100mm HOUSEKEEPING PAD UNDER ALL FLOOR MOUNTED AIR HANDLING EQUIPMENT, PUMPS AND AIR COMPRESSORS.



B.M. ELEV.			
DESIGNED BY	PL	CHECKED BY	AMA
DRAWN BY	DC	APPROVED BY	DT
HOR. SCALE:	AS NOTED	RELEASED FOR CONSTRUCTION BY:	T. KJARTANSON
VERTICAL SCALE:	AS NOTED	DATE	2005-02-18
NO. REVISIONS		DATE	2004/12/08
ISSUED FOR TENDER	05/02/18	BY	JEH

EARTH TECH
 Earth Tech (Canada) Inc. Winnipeg, Manitoba 204.477.5381

DESIGNED BY: PL
 CHECKED BY: AMA
 DRAWN BY: DC
 APPROVED BY: DT

HOR. SCALE: AS NOTED
 VERTICAL SCALE: AS NOTED

RELEASED FOR CONSTRUCTION BY: T. KJARTANSON
 DATE: 2005-02-18

ENGINEER'S SEAL
 ORIGINAL SIGNED BY
 P.V. LAITINEN
 FEB. 18/05

THE CITY OF WINNIPEG
 Winnipeg WATER AND WASTE DEPARTMENT

NEWPCC - SECONDARY EFFLUENT UV DISINFECTION FACILITY

MECHANICAL SECTIONS

CITY FILE NUMBER
 SHEET 8 OF 18
 CITY DRAWING NUMBER