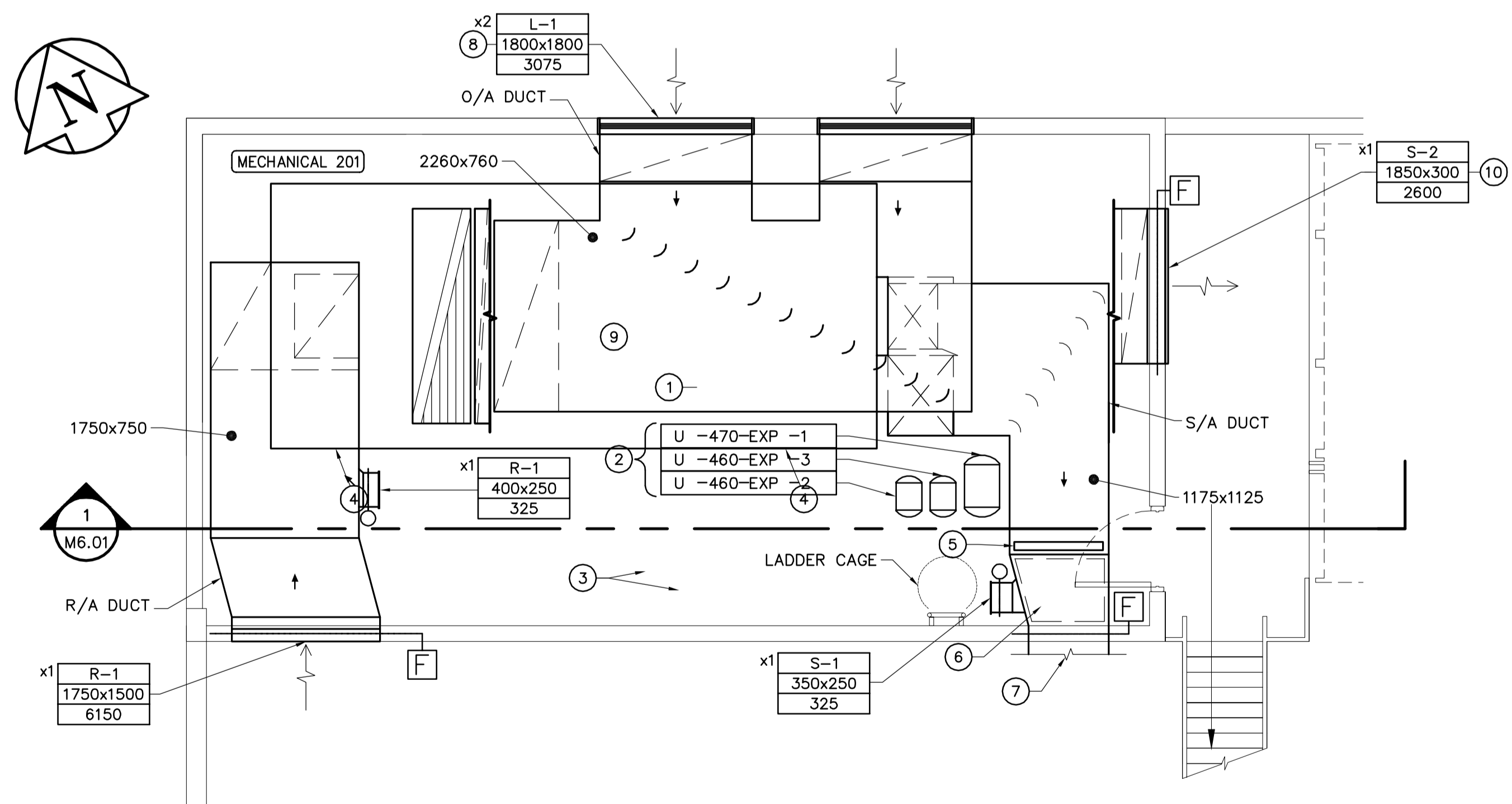


1 PLAN VIEW - MEZZANINE MECHANICAL ROOM - LOWER LEVEL
 M5.01 SCALE 1:50 EL. 237.998 AND BELOW



2 PLAN VIEW - MEZZANINE MECHANICAL ROOM - UPPER LEVEL
 M5.01 SCALE 1:50 EL. 237.998 AND ABOVE

DRAWING NOTES

- 1 VFD SHALL BE FRAME MOUNTED W/ FRAME BOLTED TO FLOOR. FRAME TO BE SUPPLIED BY CONTRACTOR.
- 2 EXPANSION TANKS SHALL BE SUSPENDED A MINIMUM OF 2150mm ABOVE GROUND ON A FRAME SUPPLIED BY CONTRACTOR. FRAME SHALL BE MOUNTED TO CEILING JOISTS.
- 3 COORDINATE WITH AHU SUPPLIER TO ENSURE ADEQUATE CLEARANCE FOR COIL REMOVAL.
- 4 COORDINATE WITH AHU SUPPLIER TO ENSURE ADEQUATE CLEARANCE FOR BLOWER AND MOTOR REMOVAL.
- 5 HEATING COIL SHALL BE MOUNTED SO REMOVAL FROM SIDE DOES NOT INTERFERE WITH LADDER CAGE.
- 6 INSTALL REMOVABLE PANEL UNDER DUCT TO ALLOW ACCESS TO HEATING COIL AND FIRE DAMPER.
- 7 SEE DRAWING CM4.01 FOR CONTINUATION OF SUPPLY DUCT.
- 8 INSECT SCREEN SHALL BE INSTALLED WITH LOUVER.
- 9 50mm THERMAL INSULATION SHALL COVER ENTIRE O/A DUCT.
- 10 SUPPLY AIR DIFFUSER c/w FIRE DAMPER FOR WASTE HEAT SYSTEM.
- 11 TOP OF UNIT U-489-EB SHALL BE 1800mm ABOVE FLOOR. IT SHALL BE WALL MOUNTED ABOVE U-485-P.
- 12 PUMP U-485-P IS LOCATED INLINE WITH THE HYDRONIC PIPING. SEE DRAWING CM-03.
- 13 LOCATE TWO PUMPS UNDER THE HEAT PUMPS.
- 14 710x1275 RETURN AIR INLET DUCTED DOWN TO LOWER HALF OF U-410-AHU.
- 15 760x990 RETURN AIR INLET FOR TOP HALF OF U-410-AHU-1.
- 16 690x2540 EXHAUST AIR OUTLET DUCTED OUTSIDE THROUGH ROOF MOUNTED GRAVITY HOOD, GH-1. DAMPER SHALL BE SIZED FOR 6150 L/s (13,000 CFM).
- 17 175x2540 WASTE HEAT EXHAUST AIR OUTLET DUCTED TO UV PROCESS ROOM. DAMPER SHALL BE SIZED FOR 2850 L/s (6,000 CFM).
- 18 760x2260 OUTSIDE AIR INLET. DAMPER SHALL BE SIZED FOR 6150 L/s (13,000 CFM).
- 19 SUPPLY AIR FOR LOWER HALF OF AIR HANDLING UNIT.

GENERAL NOTES

1. COORDINATE WITH OTHER TRADES SO AS TO PREVENT CONFLICTS.
2. VFD CABINETS SHALL BE WALL MOUNTED AT 1980mm ABOVE THE FLOOR, AT THE HIGHEST POINT.
3. PROVIDE 100mm HOUSEKEEPING PADS UNDER ALL FLOOR MOUNTED AIR HANDLING EQUIPMENT, PUMPS AND AIR COMPRESSORS. HOUSE KEEPING PADS REPRESENTED BY DOTTED OUTLINE (---) AROUND EQUIPMENT, WHICH IS SHOWN ON: 1 M5.01



B.M. ELEV.			
DESIGNED BY	PL	CHECKED BY	AMA
DRAWN BY	DC	APPROVED BY	DT
HOR. SCALE:	AS NOTED	RELEASED FOR CONSTRUCTION BY:	T. KJARTANSON
VERTICAL SCALE:	AS NOTED	DATE	2005-02-18
NO. REVISIONS	DATE	BY	DATE
0	ISSUED FOR TENDER	05/02/18	JEH
		DATE	2005/01/05

EARTH TECH
 Earth Tech (Canada) Inc. Winnipeg, Manitoba 204.477.5381

DESIGNED BY	PL	CHECKED BY	AMA
DRAWN BY	DC	APPROVED BY	DT
HOR. SCALE:	AS NOTED	RELEASED FOR CONSTRUCTION BY:	T. KJARTANSON
VERTICAL SCALE:	AS NOTED	DATE	2005-02-18

ENGINEER'S SEAL
 ORIGINAL SIGNED BY
 P.V. LAITINEN
 FEB. 18/05
 CONSULTANT DRAWING NO.
 66303D-CM5.01

THE CITY OF WINNIPEG
 Winnipeg WATER AND WASTE DEPARTMENT

NEWPCC - SECONDARY EFFLUENT UV DISINFECTION FACILITY

MECHANICAL MEZZANINE PLANS LOWER AND UPPER LEVELS

CITY FILE NUMBER
 SHEET 7 OF 18
 CITY DRAWING NUMBER