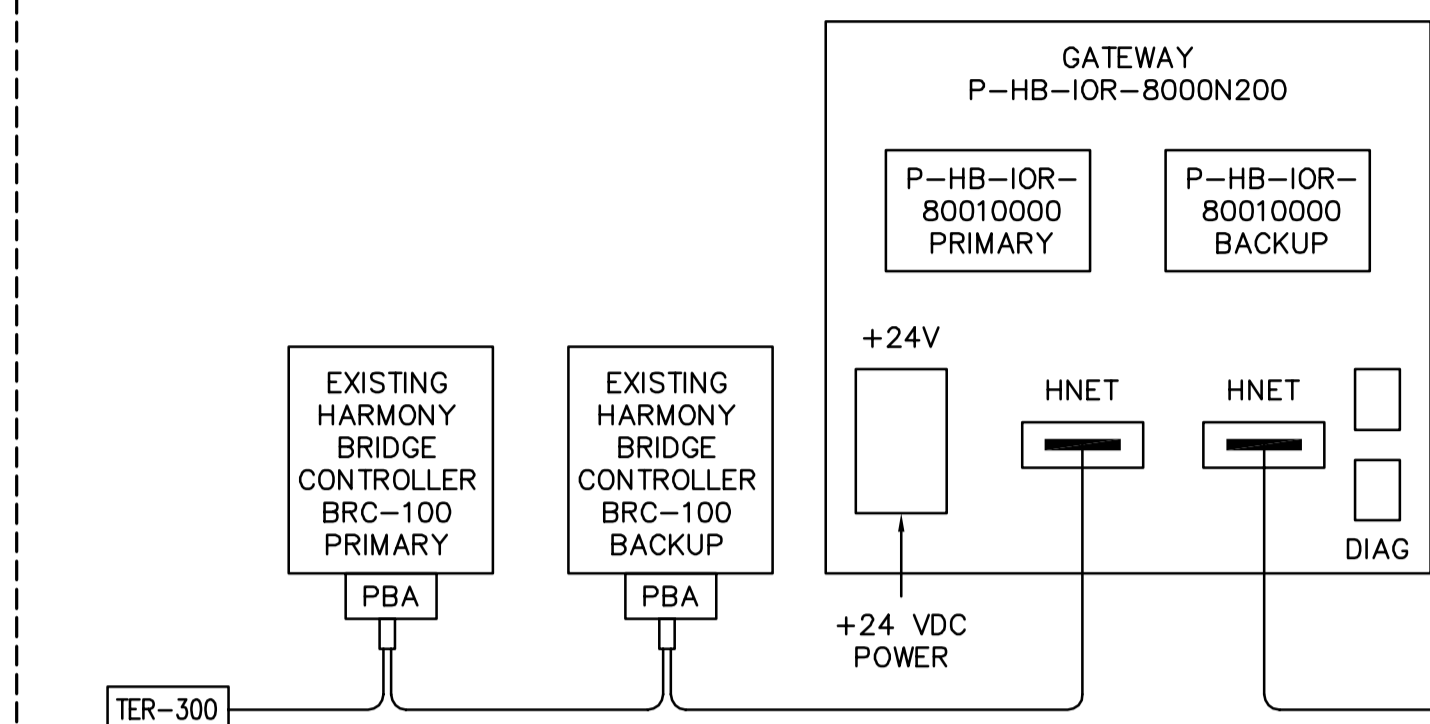


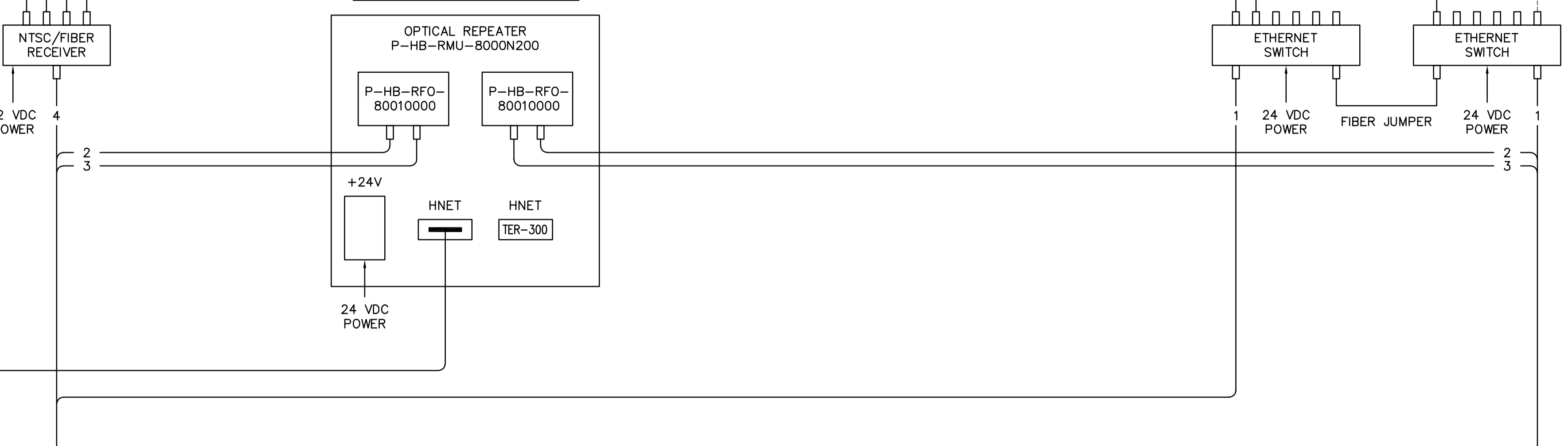
**ADMINISTRATION BUILDING
SERVER ROOM**

CENTRAL PCU CABINET



TO EXISTING CITY CCTV MULTIPLEXOR

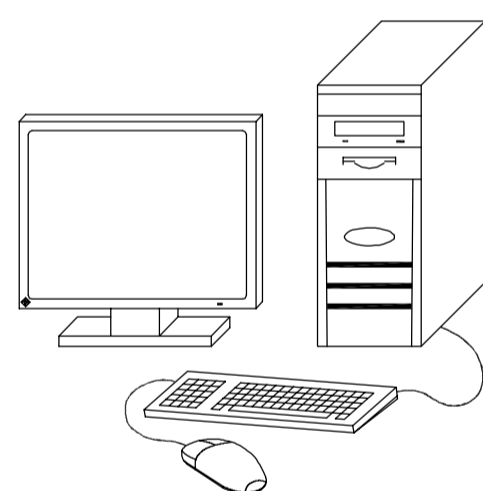
PROCESS CONTROL WIRING CLOSET



12 FIBER MULTIMODE
UV CP1-001

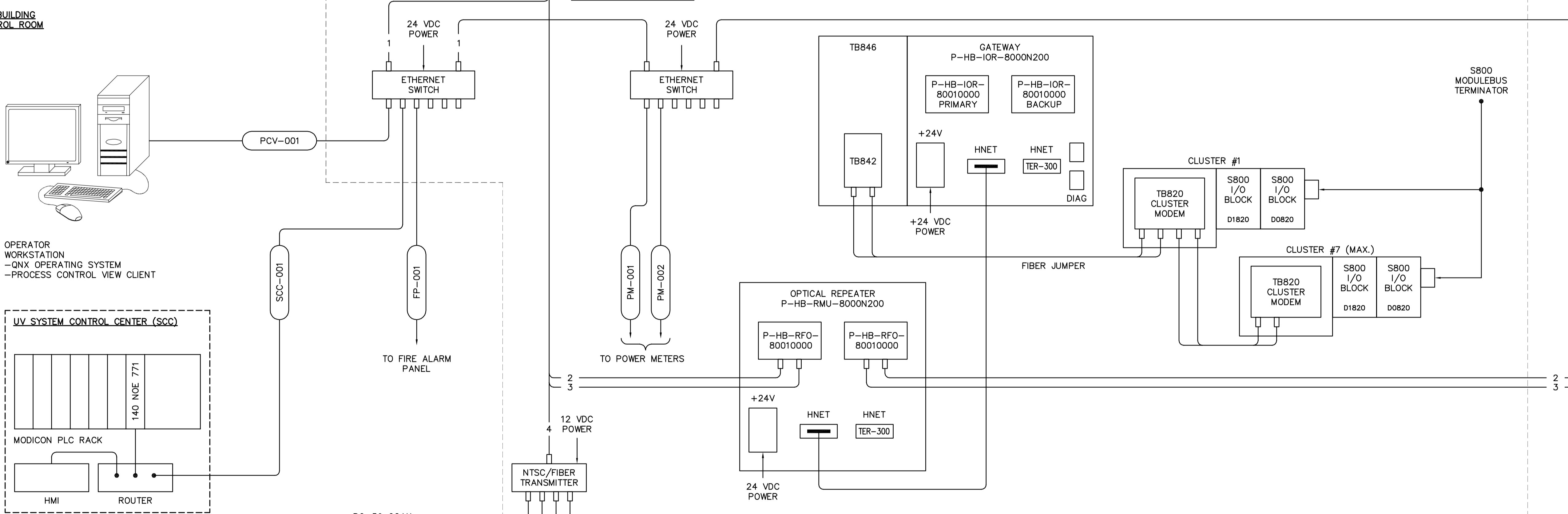
12 FIBER MULTIMODE
UV CP1-002

U.V. BUILDING CONTROL ROOM

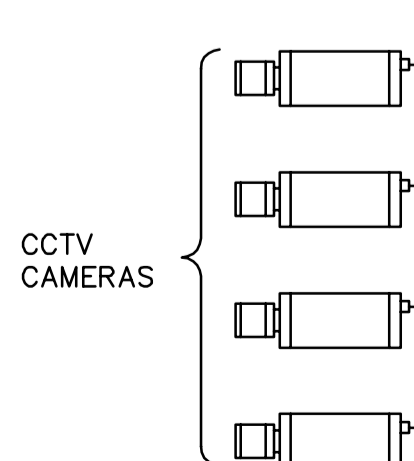
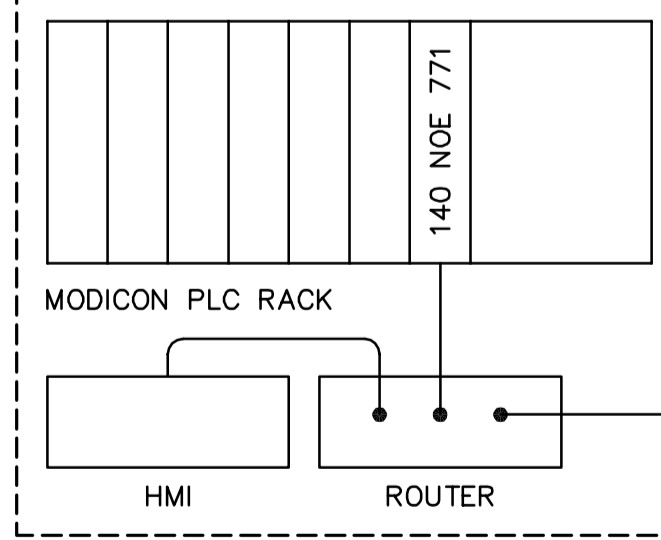


OPERATOR WORKSTATION
-QNX OPERATING SYSTEM
-PROCESS CONTROL VIEW CLIENT

UV CONTROL PANEL UVCP1



UV SYSTEM CONTROL CENTER (SCC)



APEGN
Certificate of Authorization
Earth Tech Canada Inc.
No. 730 Expiry: April 30, 2005

| | | | | | |
|---------------------|--|-----------------|--|--|---------------------|
| B.M. ELEV. | EARTH TECH | | ENGINEER'S SEAL ORIGINAL SIGNED BY S.W. TORMEY FEB. 18/05 | THE CITY OF WINNIPEG Winnipeg WATER AND WASTE DEPARTMENT | |
| | DESIGNED BY: BJL | CHECKED BY: SWT | | NEWPCC - SECONDARY EFFLUENT UV DISINFECTION FACILITY | |
| | DRAWN BY: CPG | APPROVED BY: DT | INSTRUMENTATION UV DISINFECTION CONTROL SYSTEM NETWORK | | CITY FILE NUMBER |
| | HOR. SCALE: NTS VERTICAL SCALE: NTS | | CONSULTANT DRAWING NO. 66303D-C11.01 | | SHEET # OF #S |
| 0 ISSUED FOR TENDER | 05/02/18 | JEH | RELEASED FOR CONSTRUCTION BY: T. KJARTANSON | | CITY DRAWING NUMBER |
| NO. REVISIONS | DATE | BY | DATE: 2004/10/05 | DATE: 2005-02-18 | |