

4.16kV CABLE TRENCH
FROM ADMINISTRATION BUILDING
TO MANHOLE #1 AND
FROM MANHOLE #1
TO MANHOLE #2

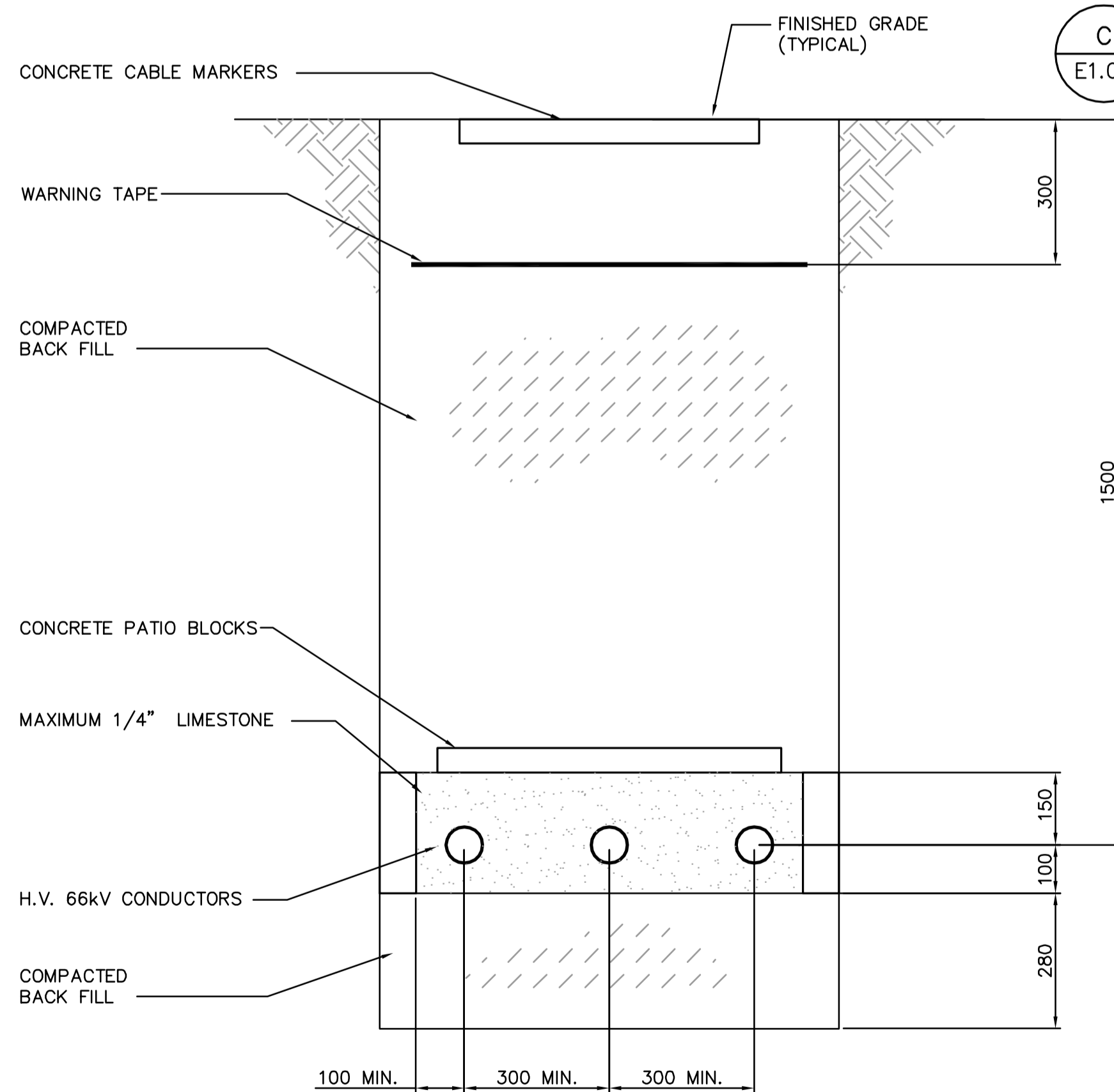
A SECTION
E1.02 SCALE 1:10

4.16kV CABLES
FROM MANHOLE #2
TO 4.16kV DISTRIBUTION IN
U.V. ELECTRICAL ROOM

C SECTION
E1.02 SCALE 1:10

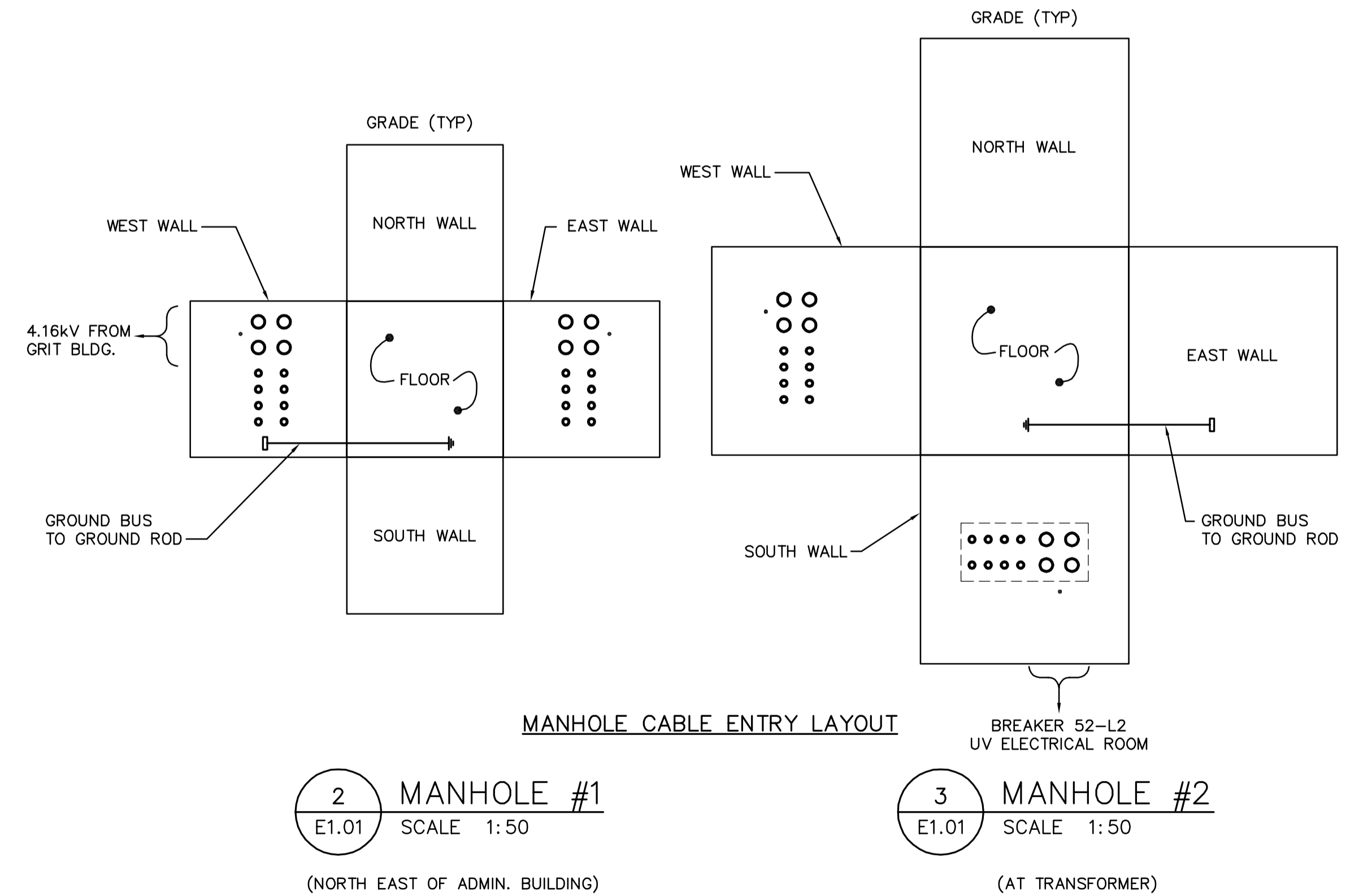
4.16kV CABLES
FROM TRANSFORMER
TO 4.16kV DISTRIBUTION IN
U.V. ELECTRICAL ROOM

D SECTION
E1.02 SCALE 1:10



66kV CABLES
FROM NORTH PROPERTY LINE
UTILITY TIE-IN POINT
REFER TO DRAWING E01-1

E SECTION
E1.02 SCALE 1:10



2 MANHOLE #1
E1.01 SCALE 1:50

3 MANHOLE #2
E1.01 SCALE 1:50

(NORTH EAST OF ADMIN. BUILDING)

(AT TRANSFORMER)



B.M. ELEV.	EARTH TECH		ENGINEER'S SEAL	THE CITY OF WINNIPEG Winnipeg WATER AND WASTE DEPARTMENT
	<small>Earth Tech (Canada) Inc. Winnipeg, Manitoba 204.477.5381</small>		ORIGINAL SIGNED BY	
	DESIGNED BY: GSN	CHECKED BY: PS	P. STRYK	
	DRAWN BY: CPG	APPROVED BY: DT	FEB. 18/05	
HOR. SCALE: AS NOTED		RELEASED FOR CONSTRUCTION BY: T. KJARTANSON	CONSULTANT DRAWING NO. 66303D-CE1.07	CITY FILE NUMBER
VERTICAL SCALE: AS NOTED				SHEET # OF #S
0 ISSUED FOR TENDER	05/02/18	JEH		CITY DRAWING NUMBER
NO. REVISIONS	DATE	BY	DATE	
			2004/11/22	
			2005-02-18	