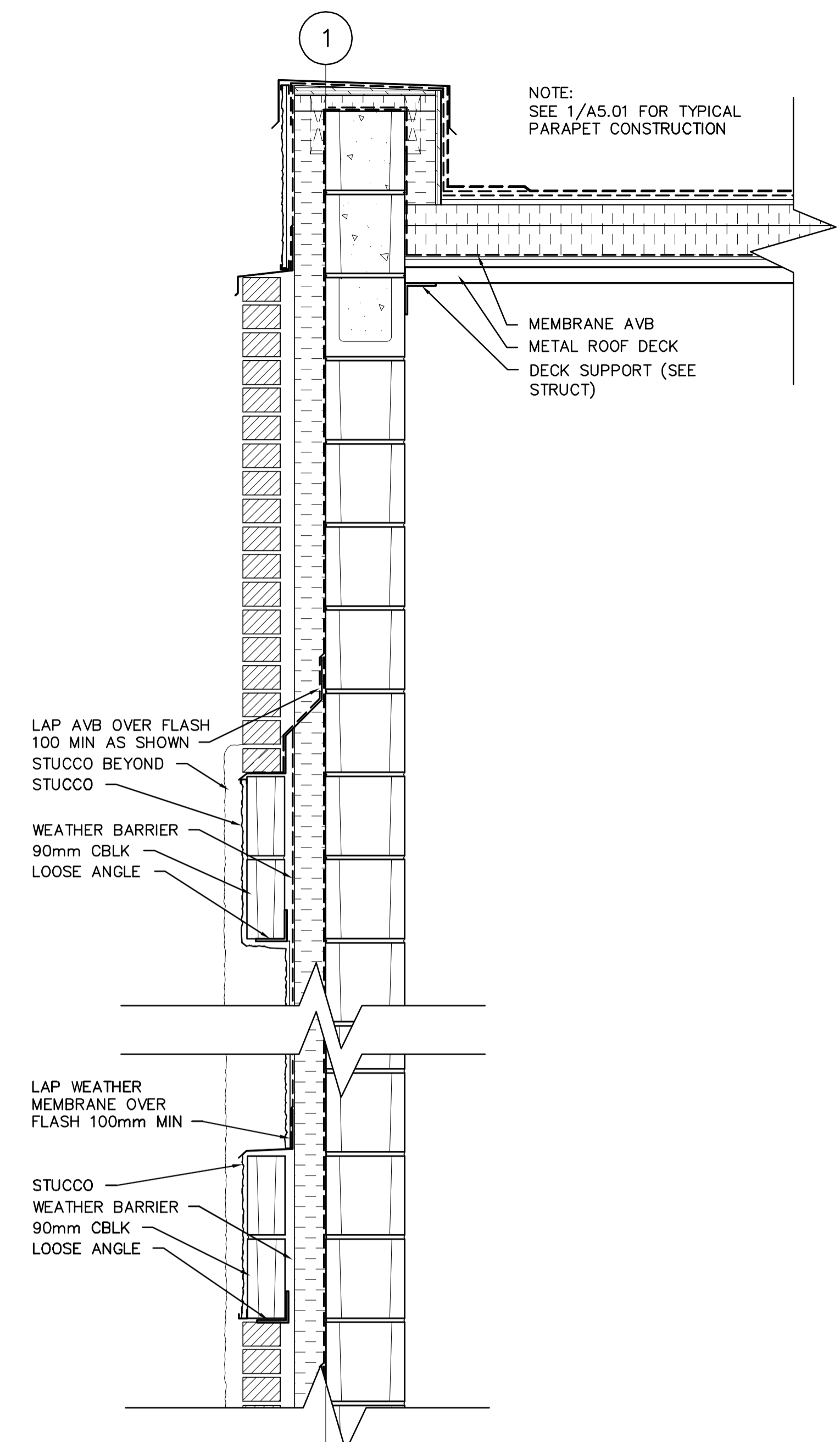
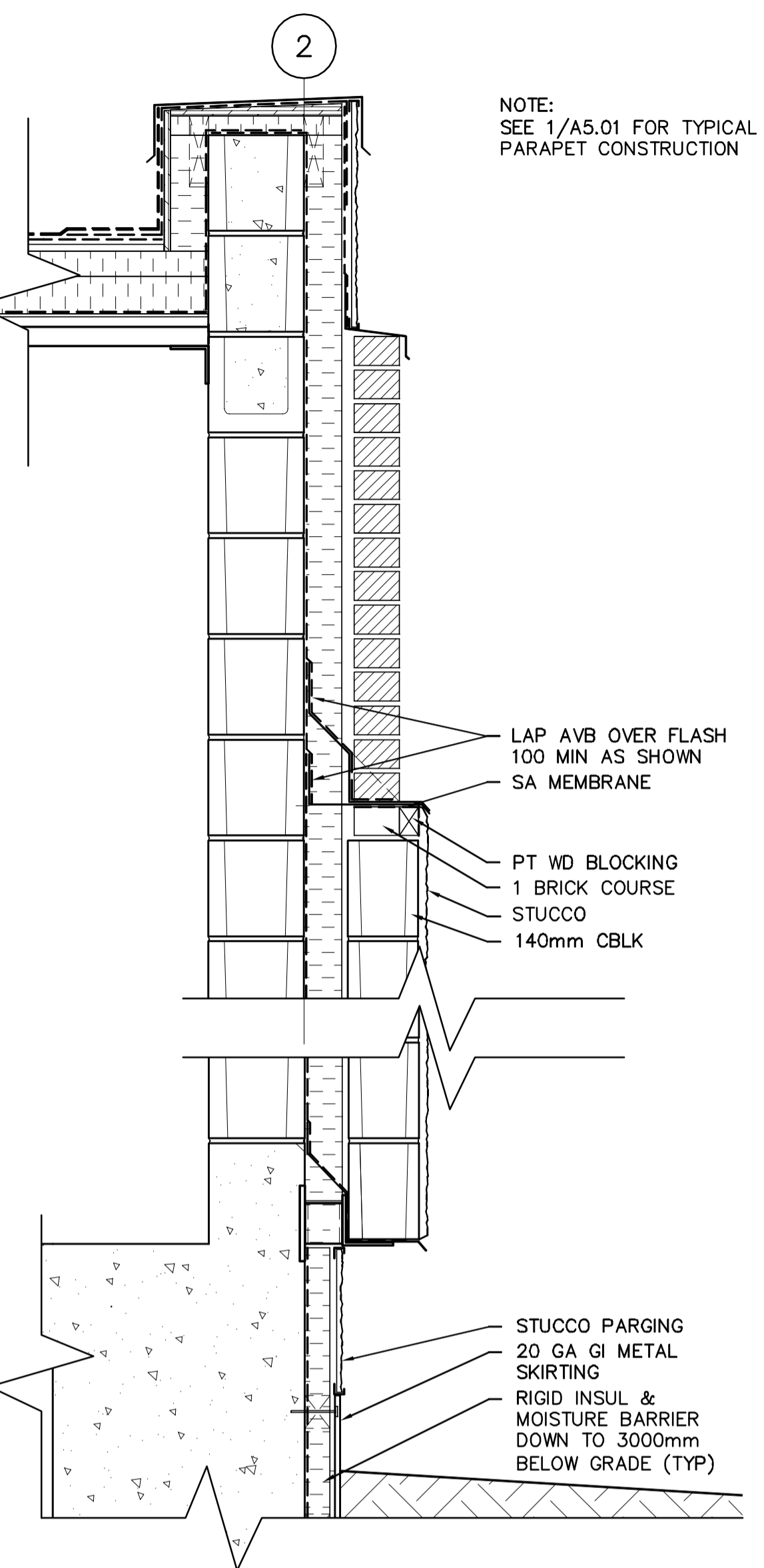


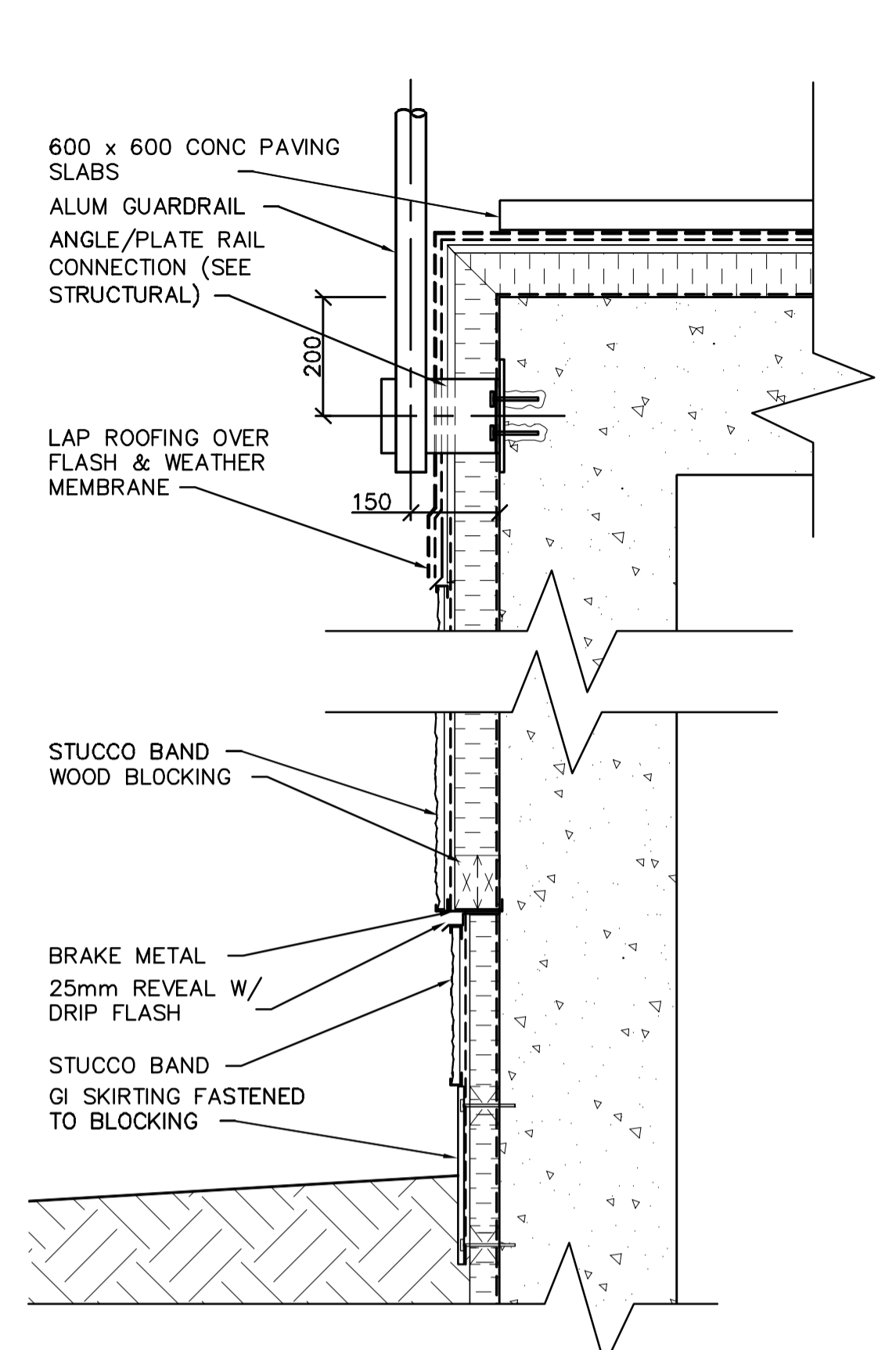
1 TYPICAL WALL/PARAPET SECTION
A4.01 SCALE 1:10



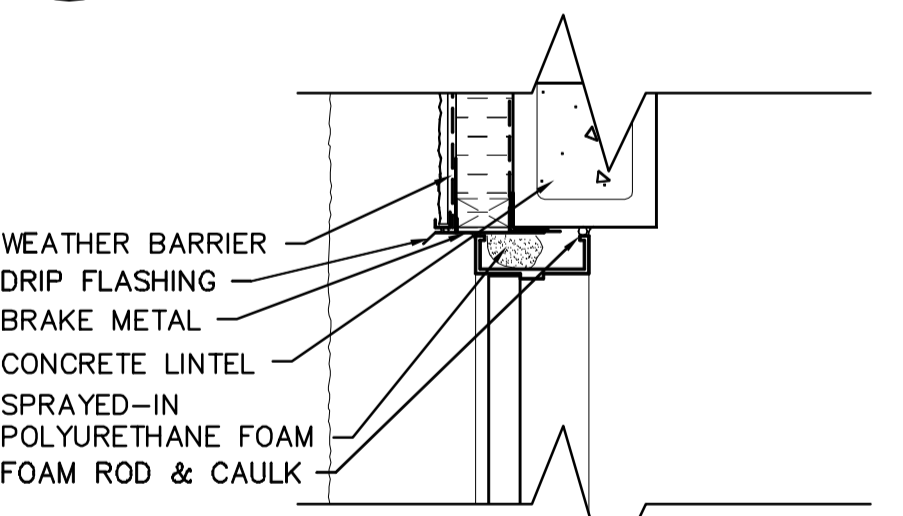
2 TYPICAL WALL SECTION @ STUCCO REVEAL
A4.01 SCALE 1:10



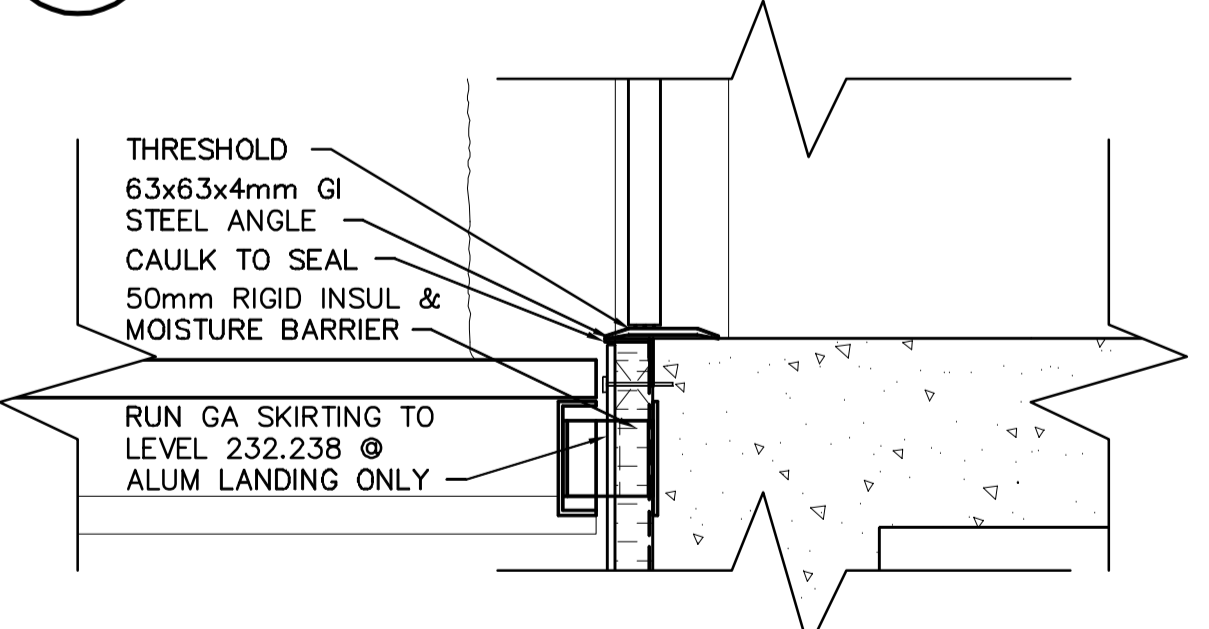
3 TYP WALL SECTION @ PILASTER
A4.01 SCALE 1:10



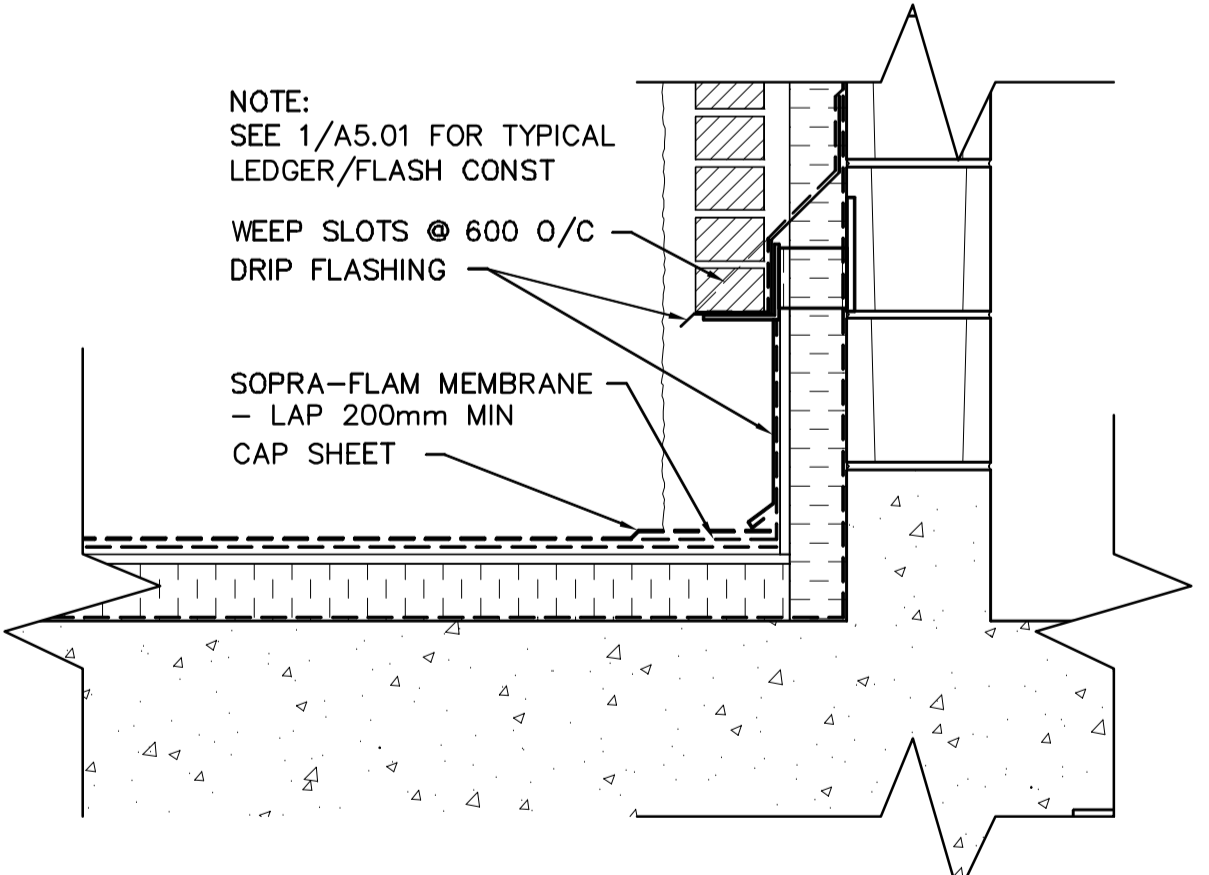
4 SECTION @ CHANNEL WALL
A4.01 SCALE 1:10



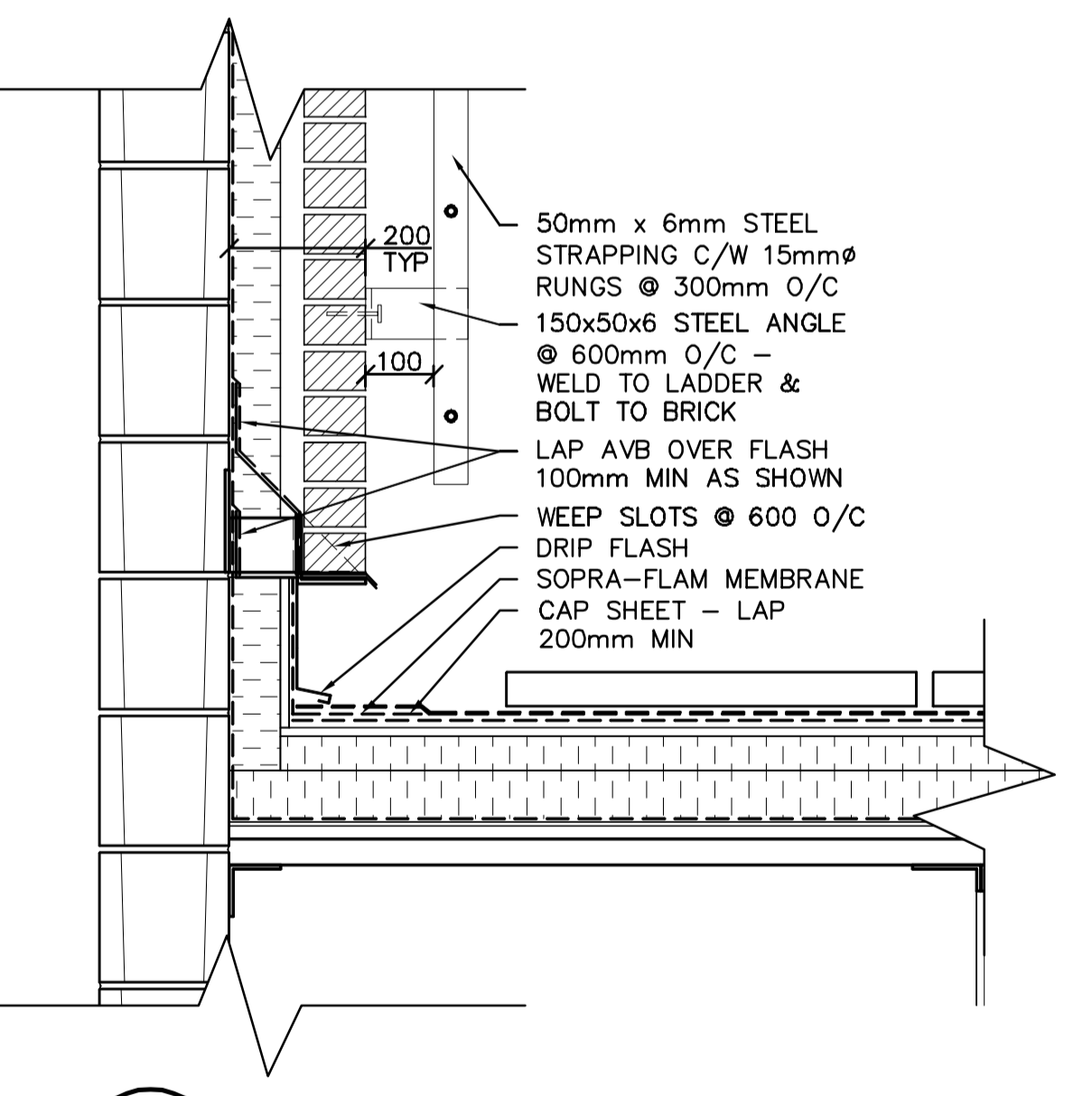
5 SECTION @ EXT DOOR D101 HEADER
A2.01 SCALE 1:10



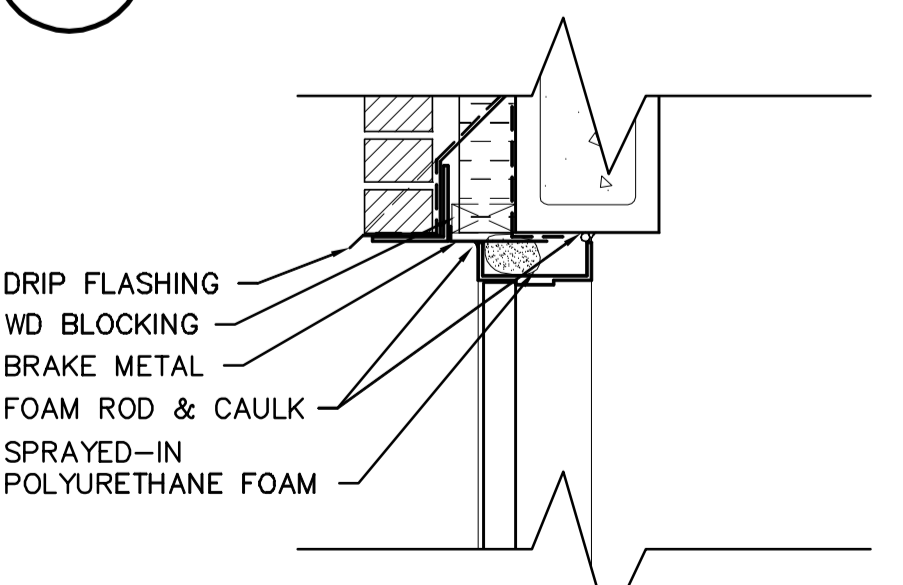
SECTION @ TYP EXT DOOR THRESHOLD
SCALE 1:10



7 SECTION @ CHANNEL ROOF
A4.01 SCALE 1:10



8 SECTION @ LOW ROOF
A4.01 SCALE 1:10



6 SECTION @ EXT DOOR D105 HEADER
A2.01 SCALE 1:10



B.M. ELEV.	EARTH TECH		ENGINEER'S SEAL	THE CITY OF WINNIPEG Winnipeg WATER AND WASTE DEPARTMENT
	<small>Earth Tech (Canada) Inc. Winnipeg, Manitoba 204.477.5381</small>		ORIGINAL SIGNED BY NEIL COOPER	
	DESIGNED BY NC	CHECKED BY NC, GGP	FEB. 18/05	CITY FILE NUMBER
	DRAWN BY LK	APPROVED BY DT		SHEET 6 OF 8
	HOR. SCALE: AS NOTED VERTICAL SCALE: AS NOTED		RELEASED FOR CONSTRUCTION BY: T. KJARTANSON	CITY DRAWING NUMBER
0	ISSUED FOR TENDER	05/01/18	LK	
		DATE	02004/12/08	
		DATE	2005-02-18	
			CONSULTANT DRAWING NO. 66303D-CA5.01	
			ARCHITECTURAL WALL SECTIONS & SECTION DETAILS	