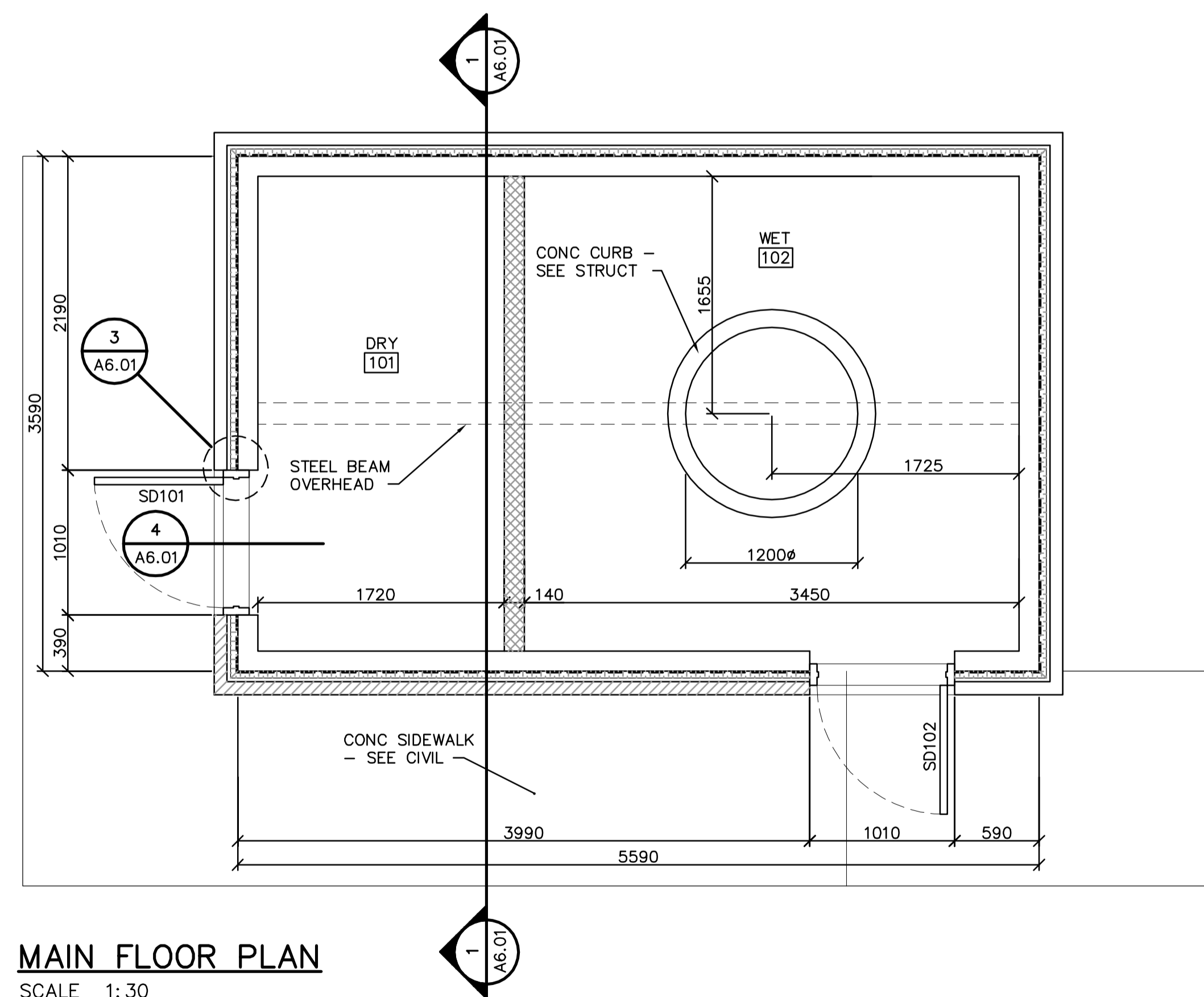
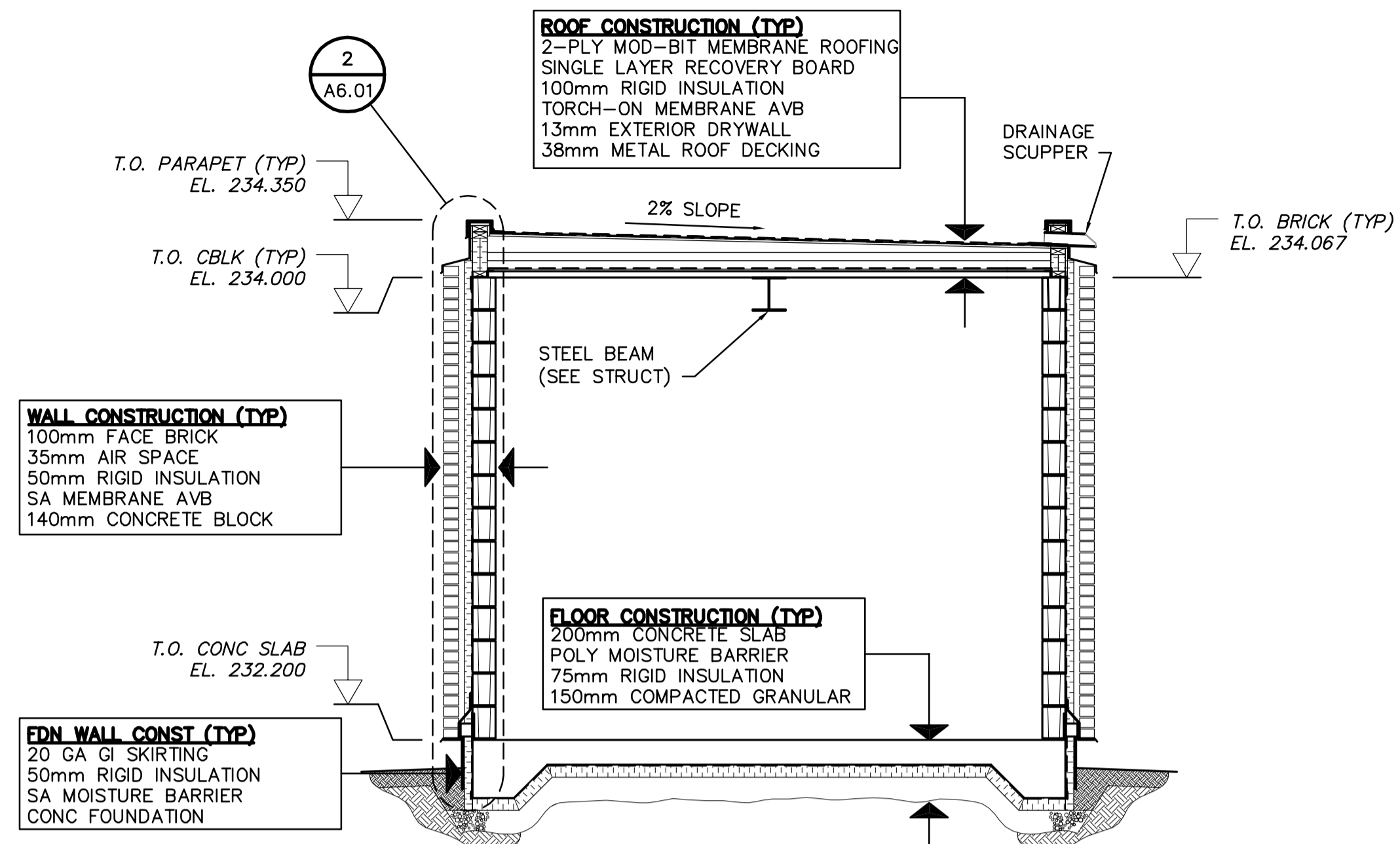


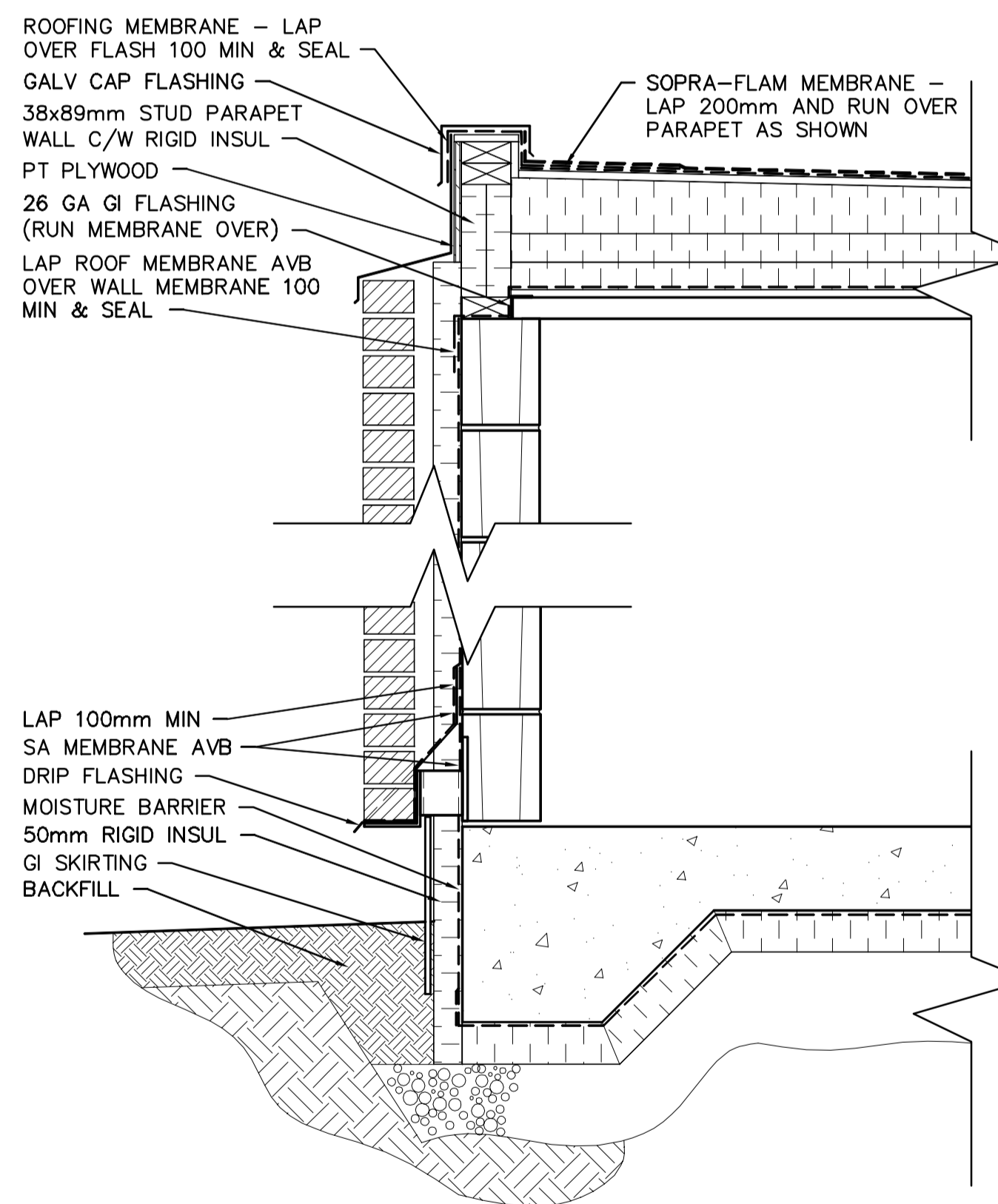
ROOF PLAN
SCALE 1:30



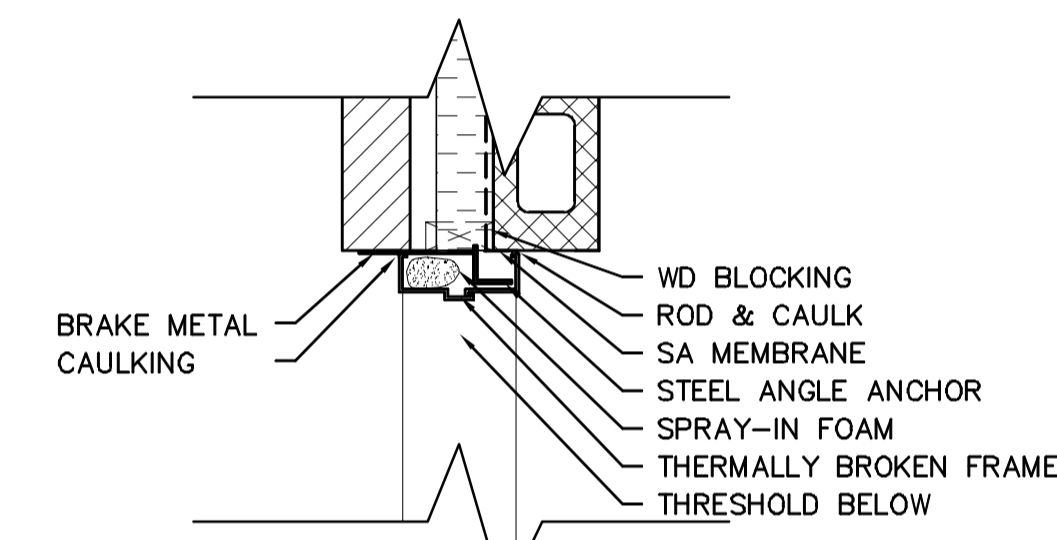
MAIN FLOOR PLAN
SCALE 1:30



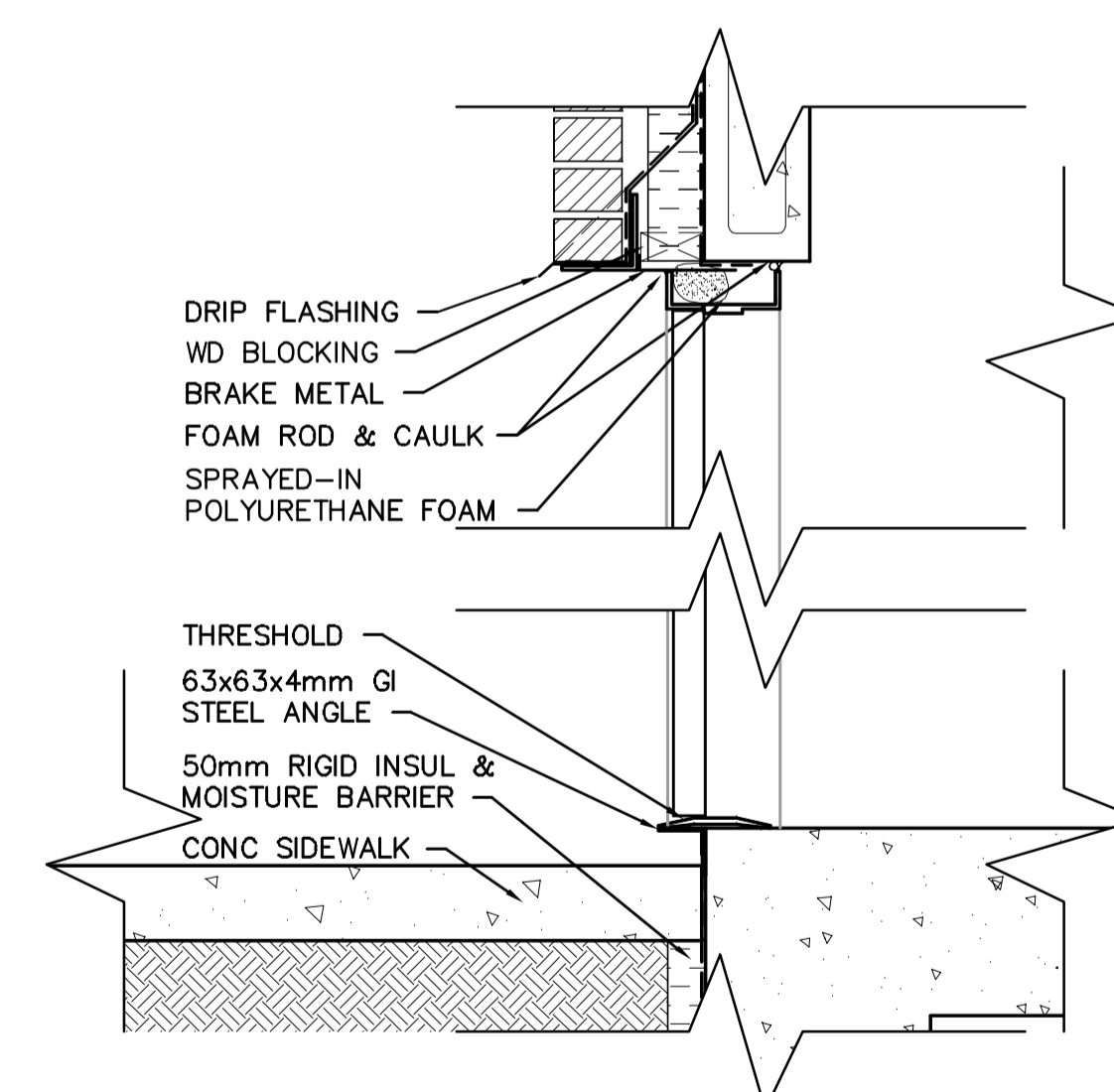
1 BUILDING SECTION
A6.01 SCALE 1:30



2 TYPICAL WALL/PARAPET SECTION
A6.01 SCALE 1:10



3 SECTION @ TYPICAL EXT DOOR JAMB
A6.01 SCALE 1:10



4 SECTION @ TYPICAL EXT DOOR
A6.01 SCALE 1:10



B.M. ELEV.	EARTH TECH		ENGINEER'S SEAL ORIGINAL SIGNED BY NEIL COOPER FEB. 18/05	THE CITY OF WINNIPEG Winnipeg WATER AND WASTE DEPARTMENT	
	<small>Earth Tech (Canada) Inc. Winnipeg, Manitoba 204.477.5381</small>			NEWPCC EFFLUENT SAMPLING BUILDING	
	DESIGNED BY NC	CHECKED BY NC, GGP	CONSULTANT DRAWING NO. 66303D-A6.01	CITY FILE NUMBER	
	DRAWN BY LK	APPROVED BY DT		SHEET 8 OF 8	
	HOR. SCALE: 1:100 VERTICAL SCALE: 1:100		RELEASED FOR CONSTRUCTION BY: T. KJARTANSON	CITY DRAWING NUMBER	
0	ISSUED FOR TENDER	05/02/18	LK	ARCHITECTURAL PLAN ABOVE ELEVATION 233.520, ROOF PLAN, BUILDING SECTION & DETAILS	
NO. REVISIONS	DATE	BY	DATE	02004/12/08	
			DATE	2005-02-18	