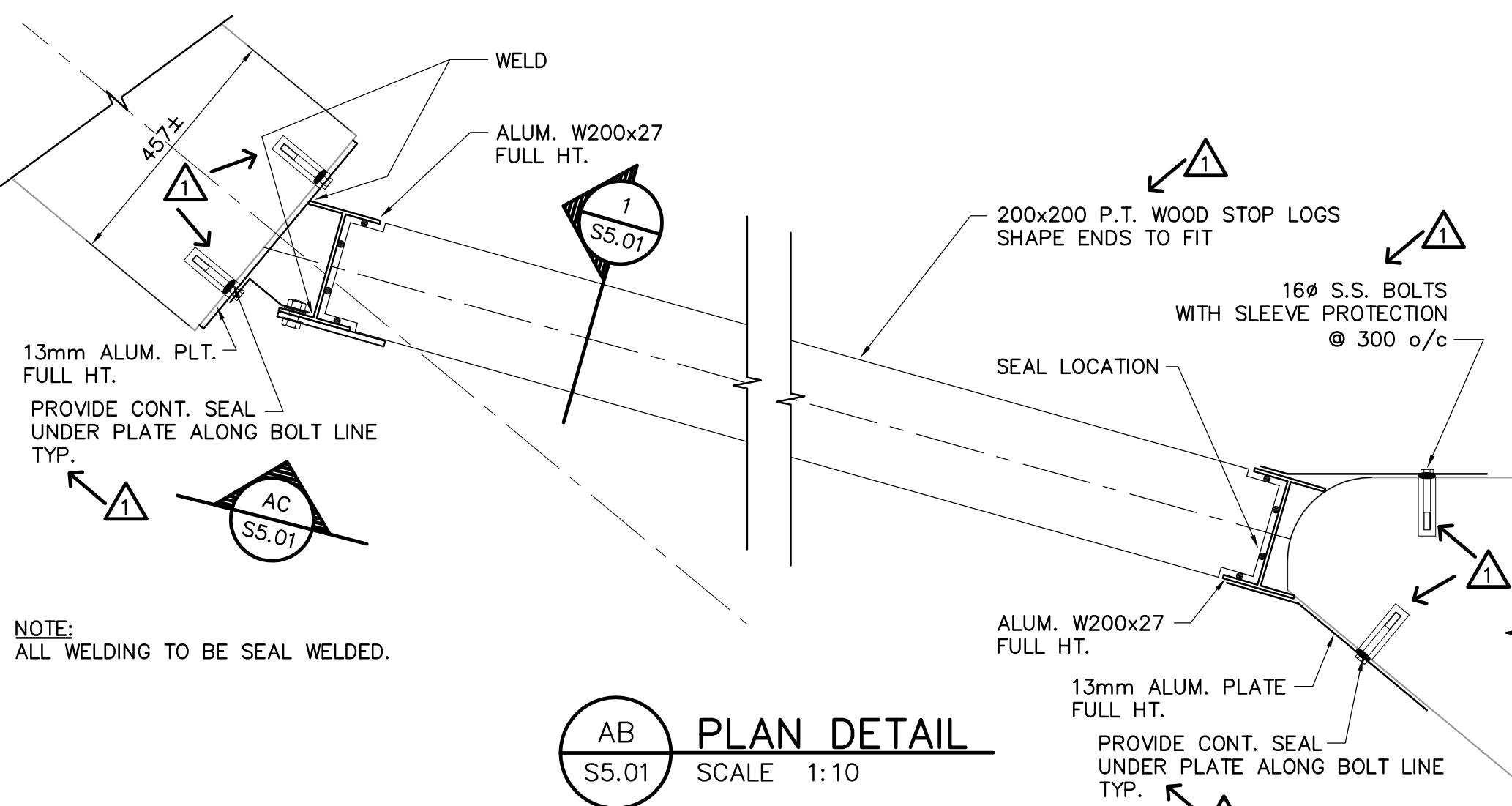
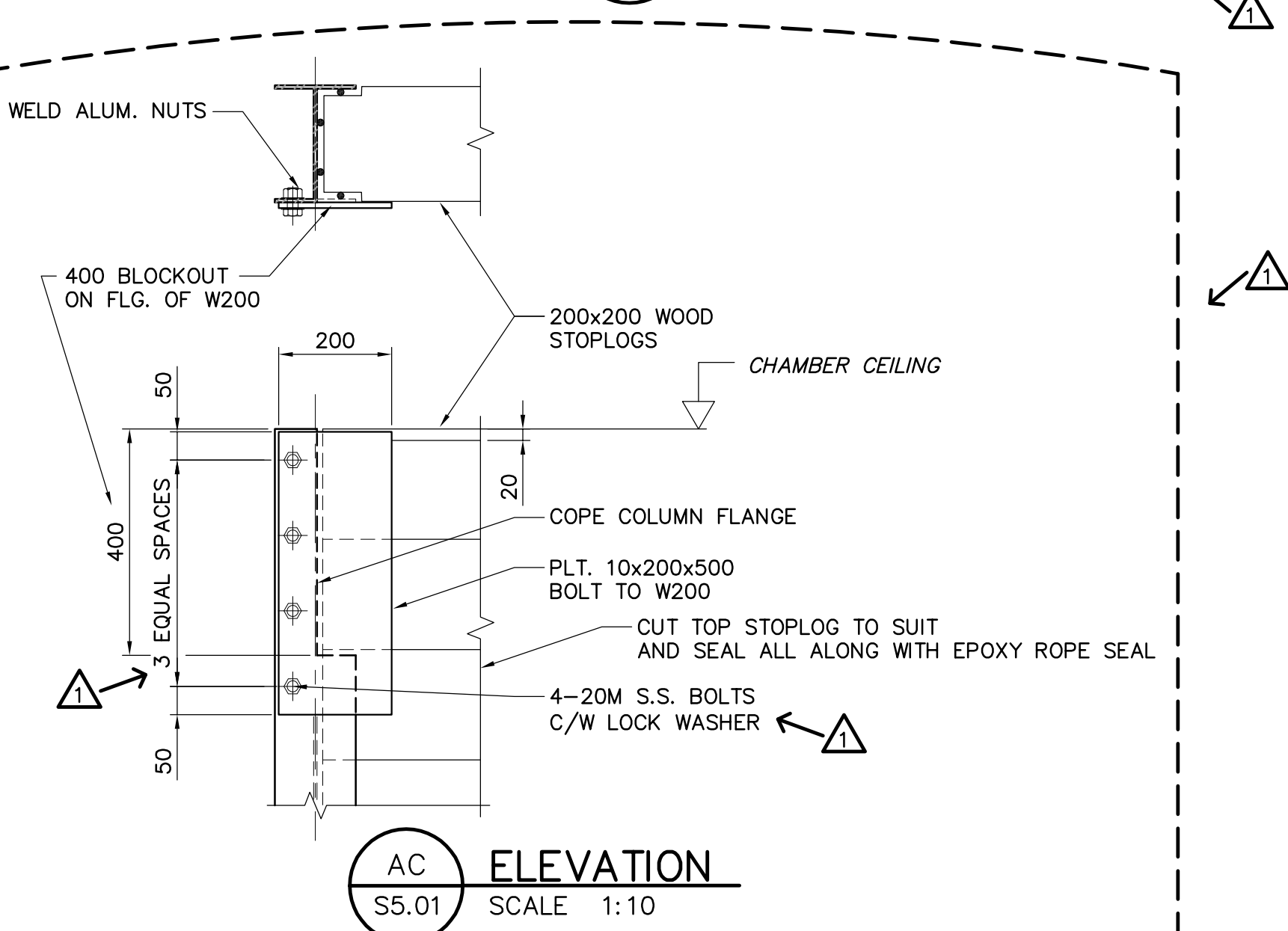


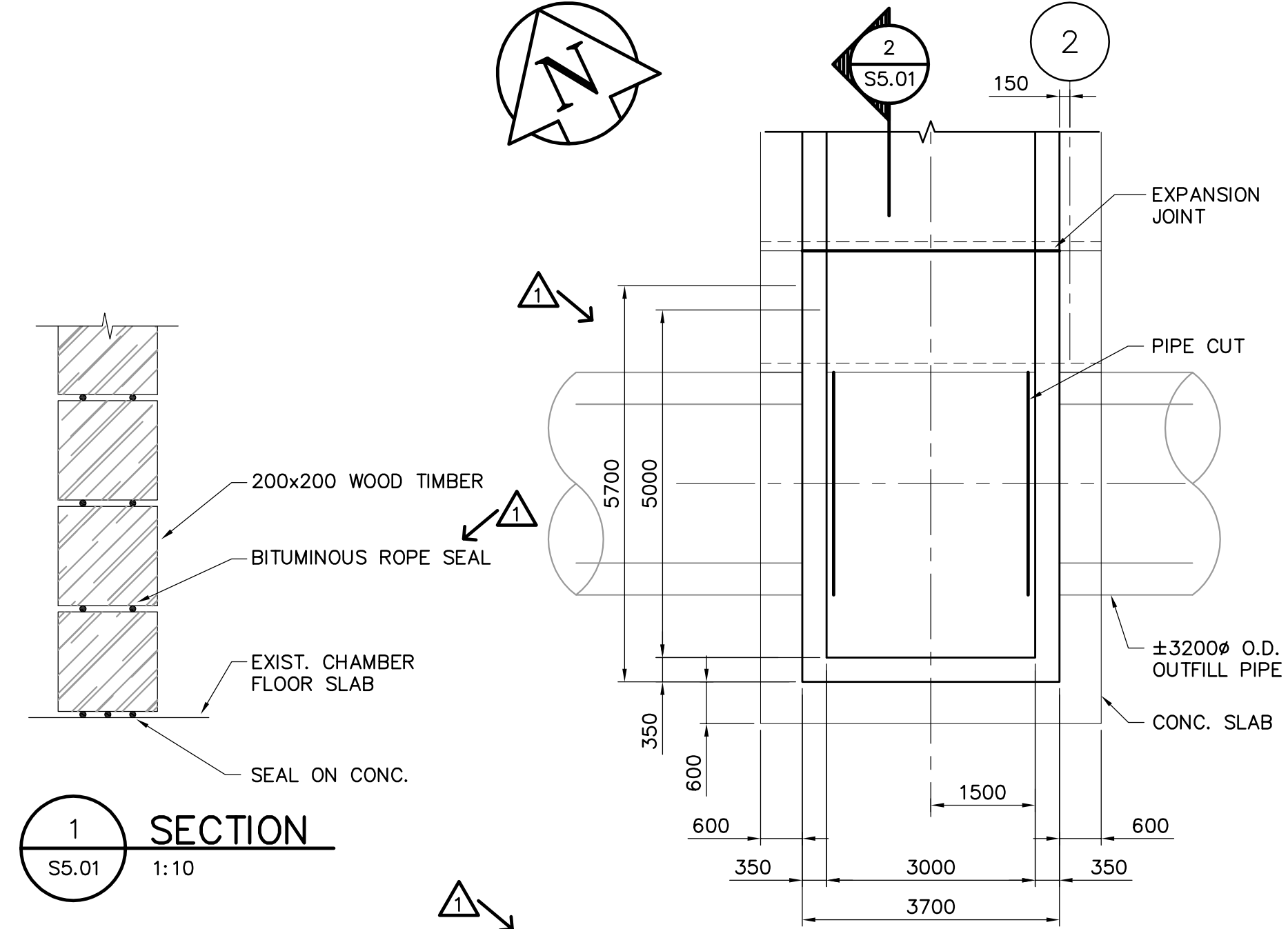
PLAN (EFFLUENT GATE CHAMBER)
SCALE: 1:50



PLAN (DETAIL)
SCALE: 1:10

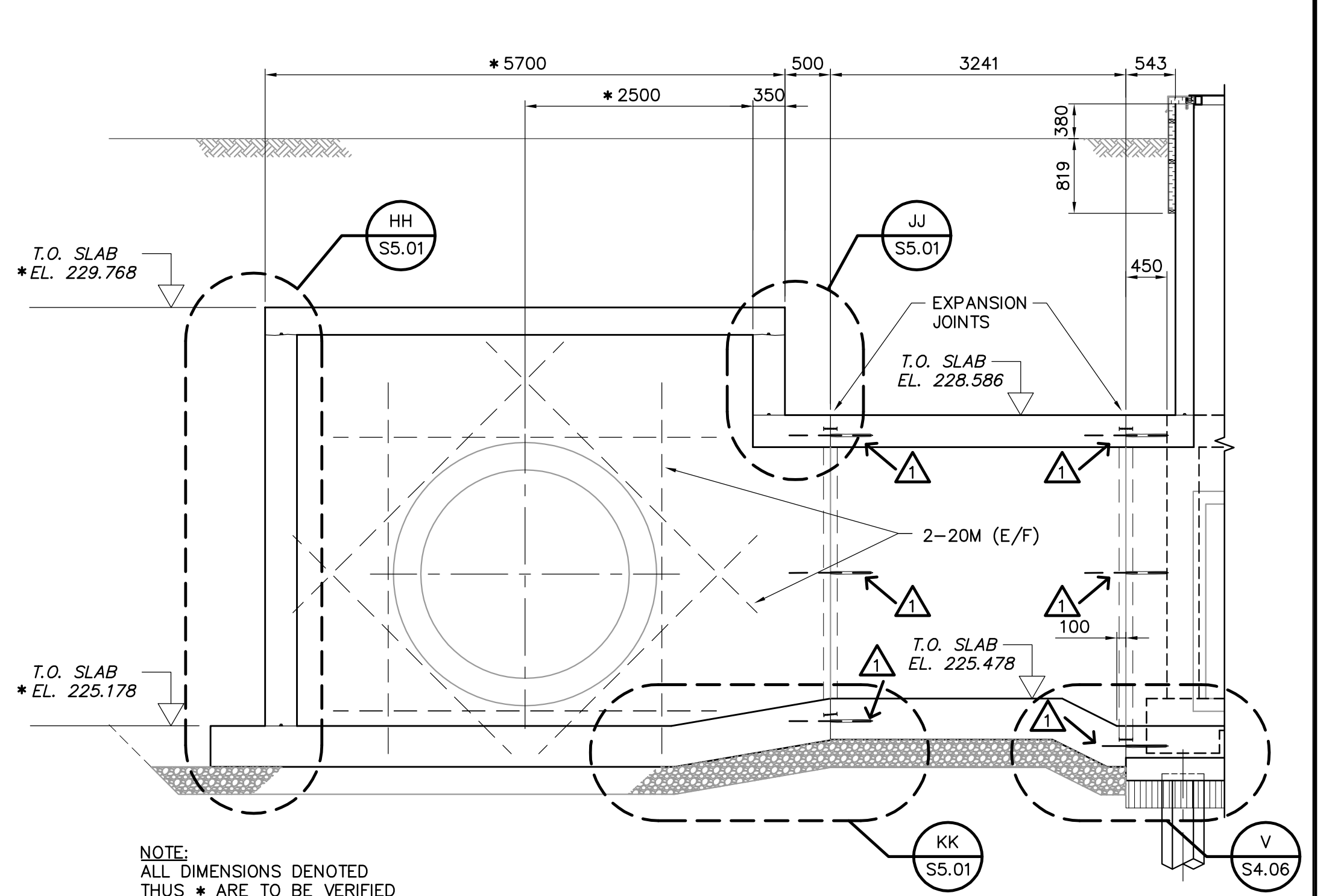


ELEVATION
SCALE: 1:10



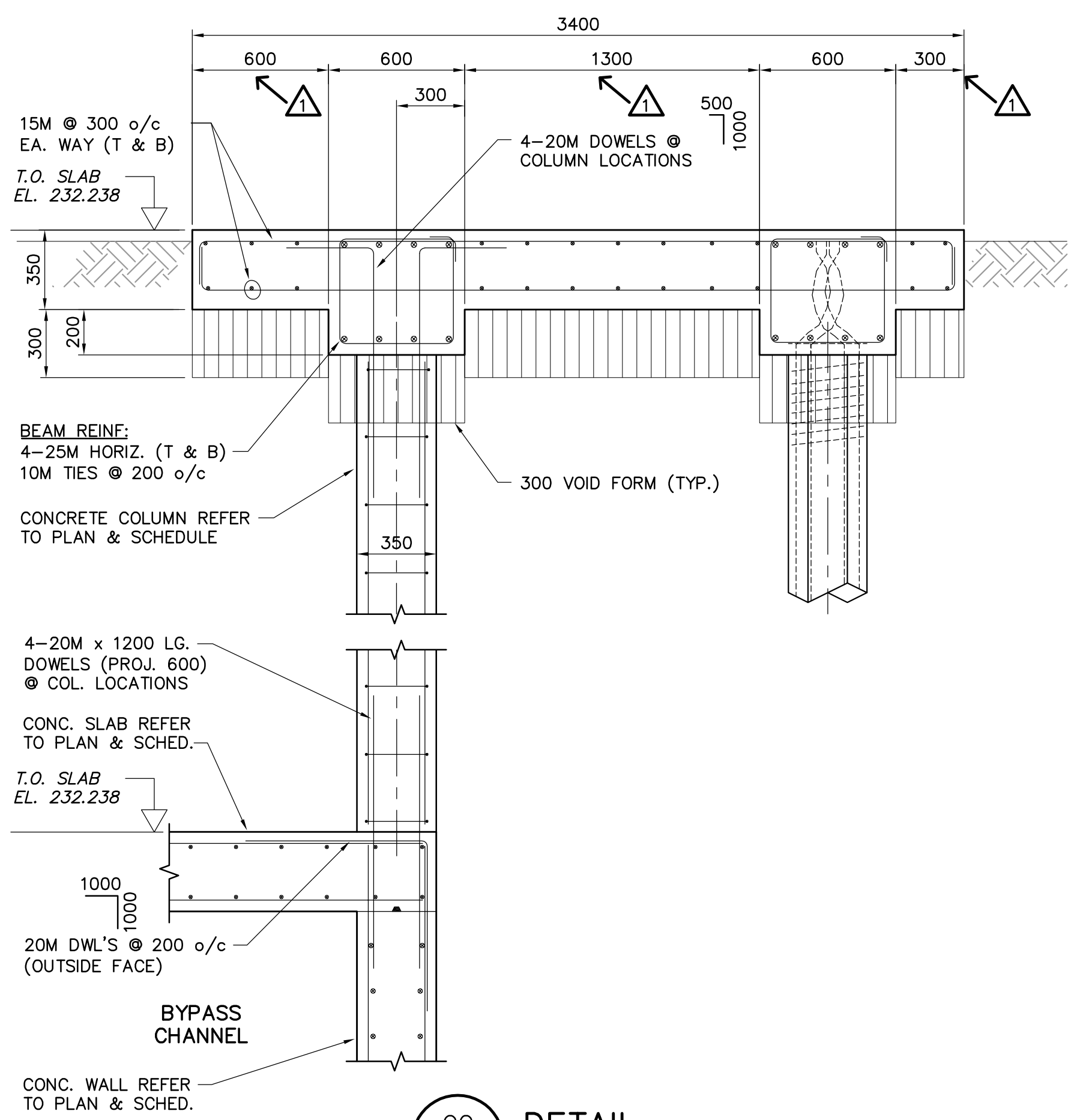
NOTES:
1.) SLAB POUR SEQUENCE SEE DWG. CS2.02.

PLAN (OUTFALL TIE-IN)
SCALE: 1:75

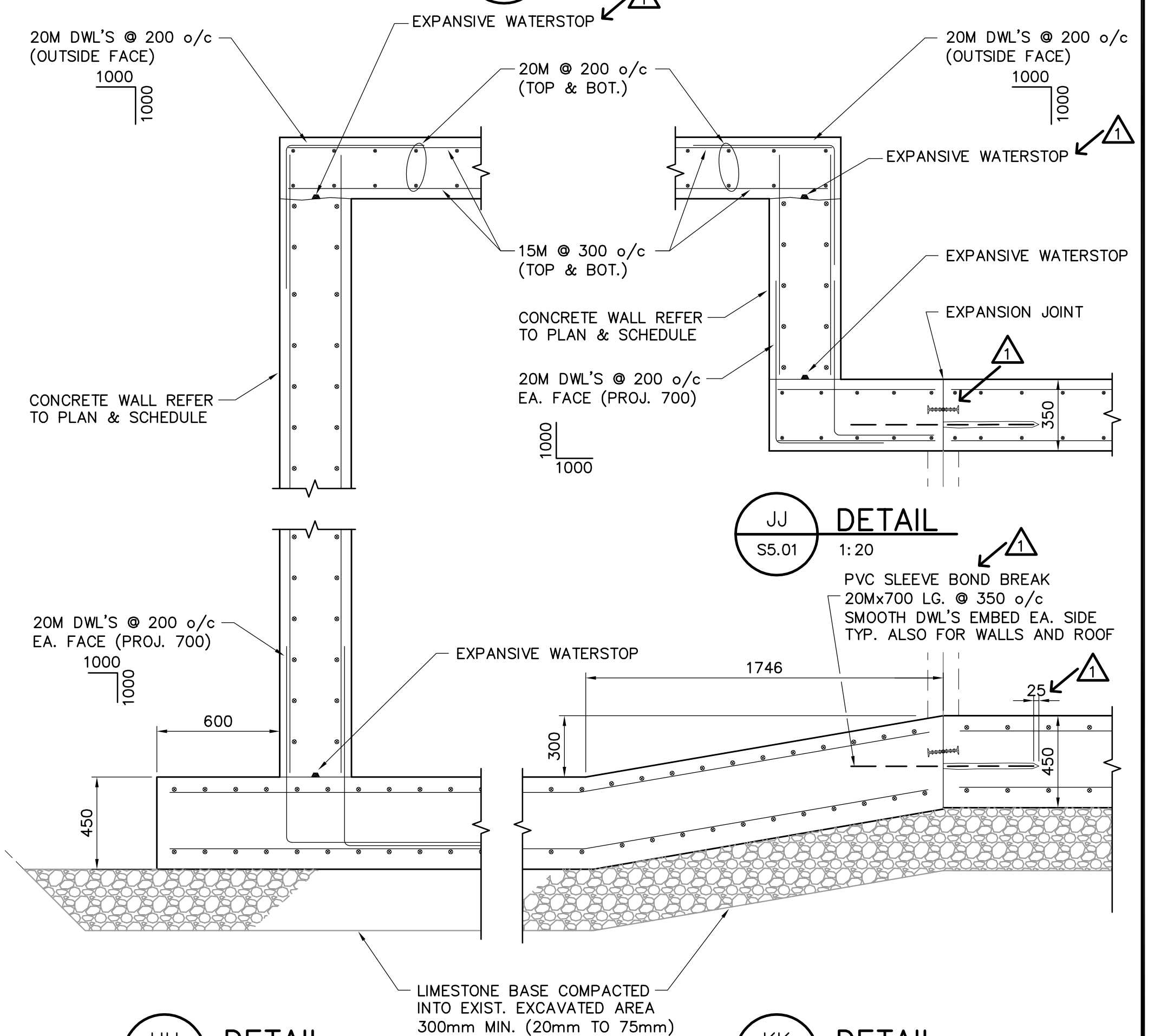


NOTE:
ALL DIMENSIONS DENOTED THUS * ARE TO BE VERIFIED WITH SITE CONDITIONS.

SECTION 2
SCALE: 1:50



GG DETAIL
SCALE: 1:20



HH DETAIL
SCALE: 1:20

KK DETAIL
SCALE: 1:20

APCGM
Certificate of Authorization
Earth Tech Canada Inc.
No. 730 Expiry: April 30, 2005

B.M. ELEV.			
DESIGNED BY	RE, MK	CHECKED BY	GGP
DRAWN BY	C.T., CMS	APPROVED BY	DT
1 ISSUED FOR ADDENDUM 1	05/03/04	JEH	
0 ISSUED FOR TENDER	05/02/18	JEH	
NO. REVISIONS	DATE	BY	
	2004/11/04		

EARTH TECH
Earth Tech (Canada) Inc. Winnipeg, Manitoba 204.477.5381

DESIGNED BY: RE, MK
CHECKED BY: GGP
DRAWN BY: C.T., CMS
APPROVED BY: DT

HOR. SCALE: AS NOTED
VERTICAL SCALE: AS NOTED

RELEASED FOR CONSTRUCTION BY: T. KJARTANSON
DATE: 2005-02-18

ENGINEER'S SEAL
ORIGINAL SIGNED BY: R.B. ERIC
FEB. 18/05
CONSULTANT DRAWING NO. 66303D-CS5.01

THE CITY OF WINNIPEG
Winnipeg WATER AND WASTE DEPARTMENT

NEWPCC
UV DISINFECTION FACILITY

EFFLUENT GATE CHAMBER AND
OUT FALL TIE-IN
PLAN, SECTIONS AND DETAILS

CITY FILE NUMBER
SHEET 16 OF 19
CITY DRAWING NUMBER