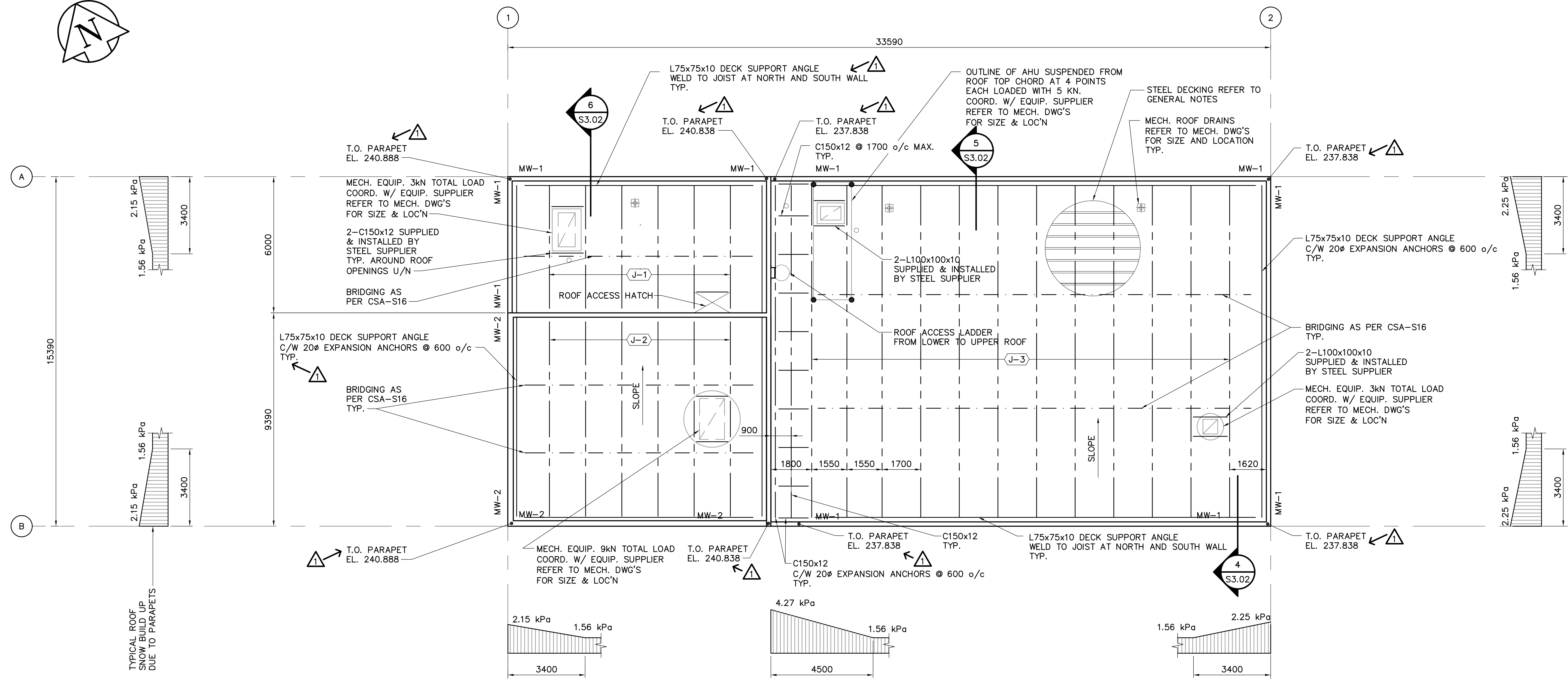
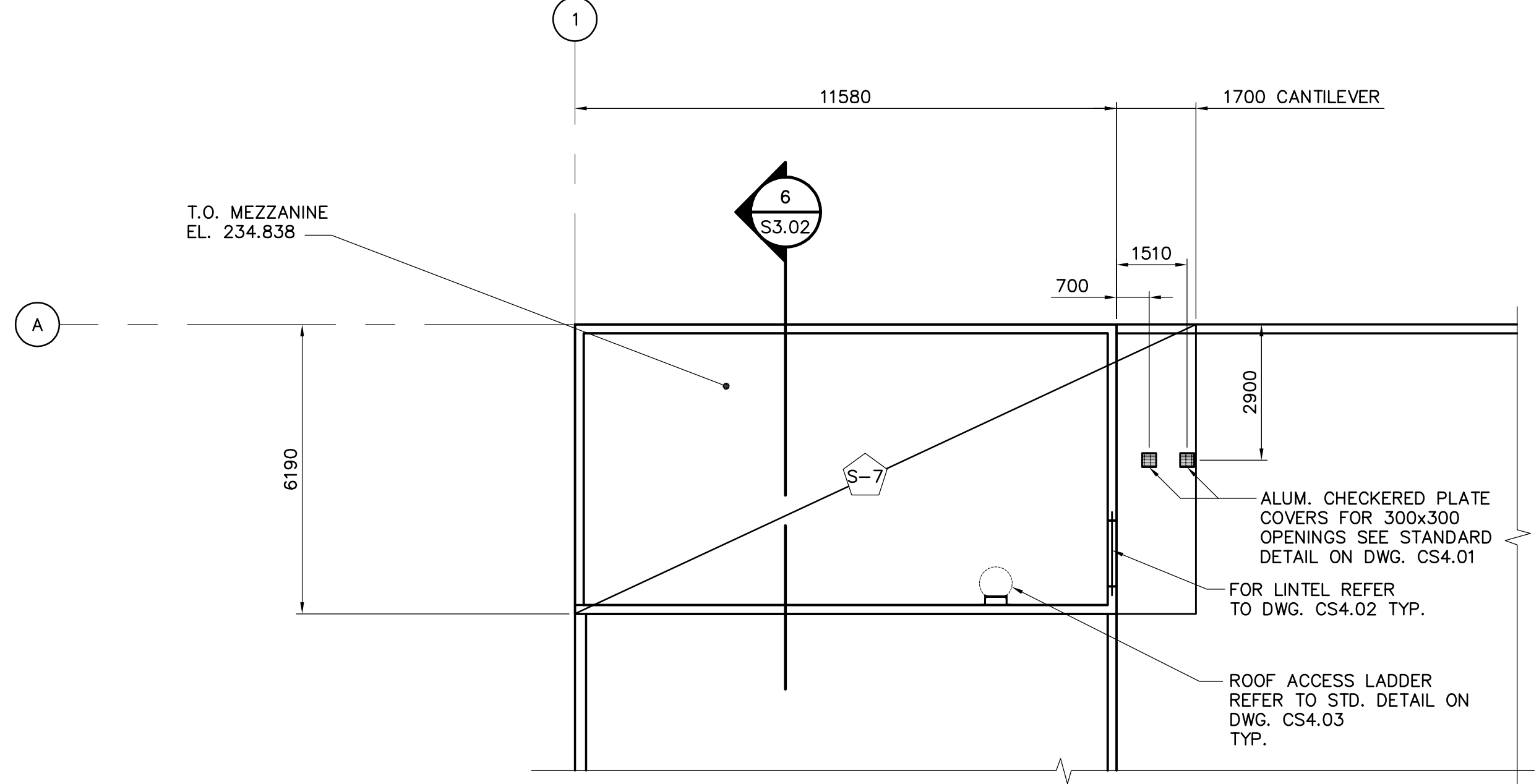


SHEET: CORR-AL-IMP (1/2005)



**ROOF FRAMING PLAN**  
SCALE: 1:100



**MEZZANINE FRAMING PLAN**  
SCALE: 1:100

- NOTES:**
- FOR GENERAL NOTES AND SCHEDULES REFER TO DRAWING CS1.01.
  - FOR STANDARD DETAILS REFER TO DRAWINGS CS4.01, CS4.02, AND CS4.03.

**APCGM**  
Certificate of Authorization  
Earth Tech Canada Inc.  
No. 730 Expiry: April 30, 2005

NO.	REVISIONS	DATE	BY
1	ISSUED FOR ADDENDUM 1	05/03/04	JEH
0	ISSUED FOR TENDER	05/02/18	JEH

<b>EARTH TECH</b>	
Earth Tech (Canada) Inc. Winnipeg, Manitoba 204.477.5381	
DESIGNED BY	RE, MK
CHECKED BY	GPP
DRAWN BY	C.T.
APPROVED BY	DT
HOR. SCALE:	AS NOTED
VERTICAL SCALE:	AS NOTED
RELEASED FOR CONSTRUCTION BY:	T. KJARTANSON
DATE	2004/11/04
DATE	2005-02-18

ENGINEER'S SEAL
ORIGINAL SIGNED BY
R.B. ERIC
FEB. 18/05
CONSULTANT DRAWING NO.
66303D-CS2.05

**THE CITY OF WINNIPEG**  
Winnipeg WATER AND WASTE DEPARTMENT

**NEWPCC - SECONDARY EFFLUENT UV DISINFECTION FACILITY**

STRUCTURAL ROOF AND MEZZANINE FRAMING PLANS

CITY FILE NUMBER  
SHEET 6 OF 19  
CITY DRAWING NUMBER