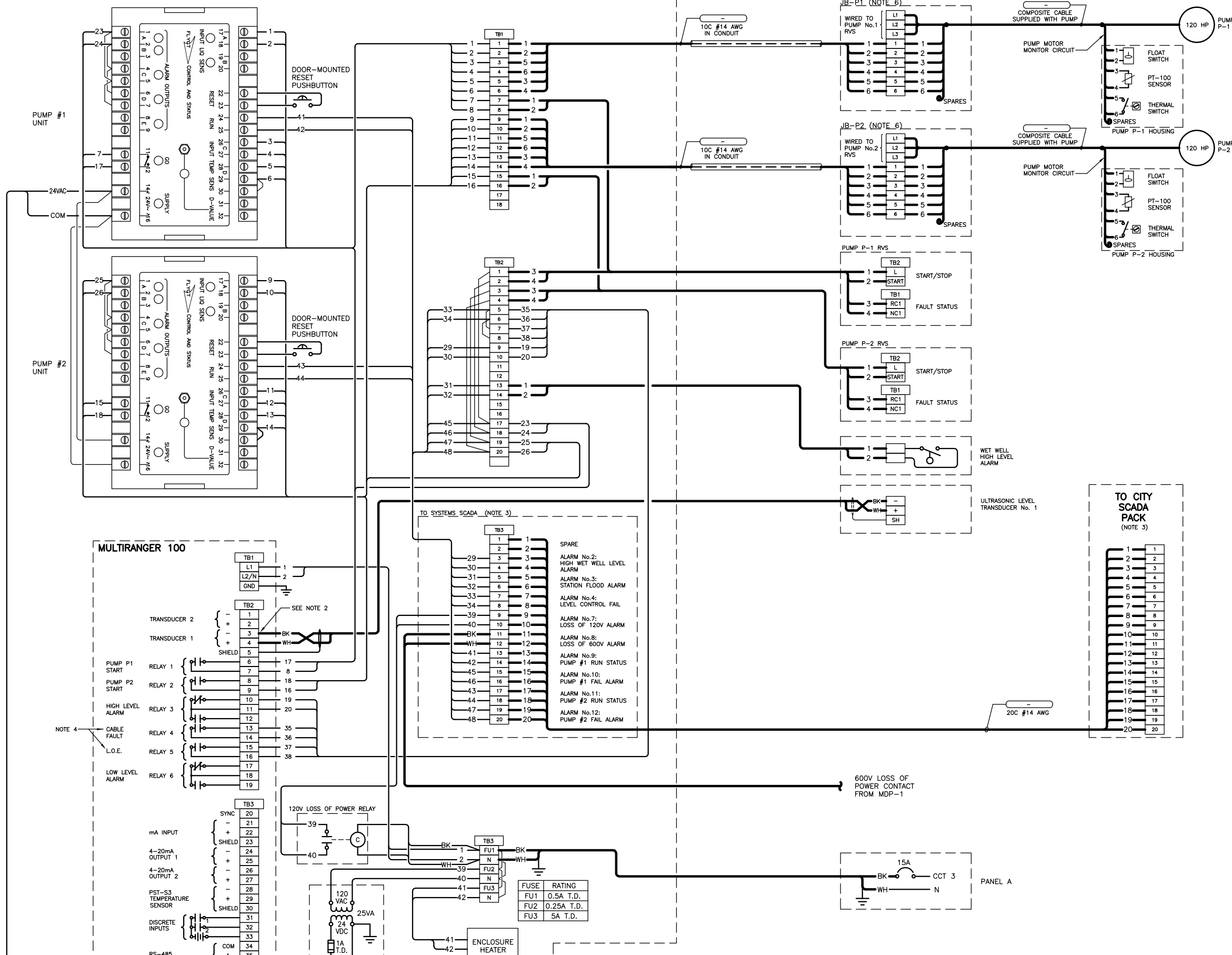


CONTROL PANEL



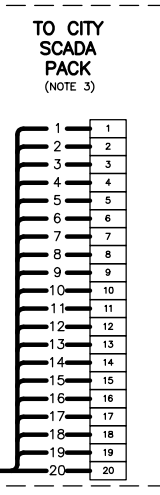
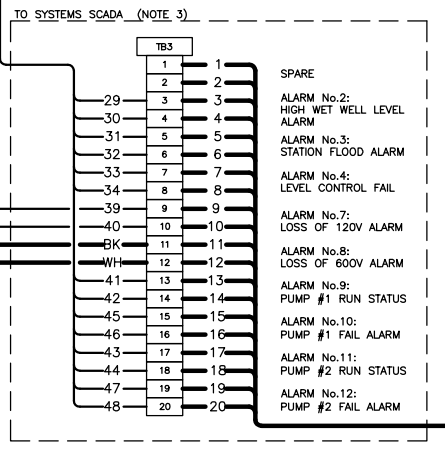
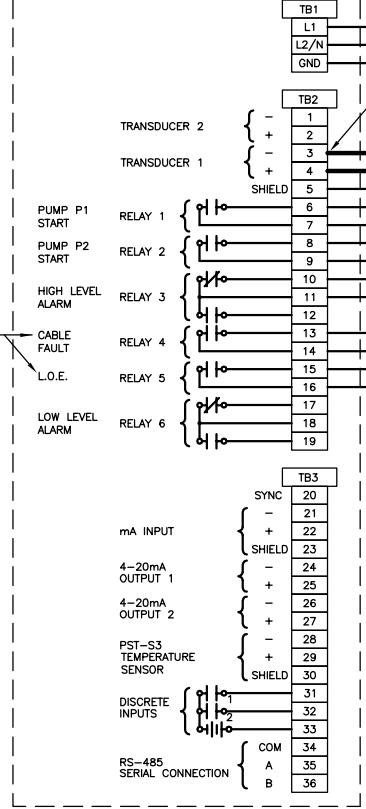
NOTES:

1. MOUNT THE FLYGT GAS UNITS BEHIND A VIEWPORT WITHIN THE ENCLOSURE SUCH THAT STATUS LIGHTS CAN BE SEEN WITHOUT OPENING ENCLOSURE. PUMP ALARM UNITS SUPPLIED BY CITY.
2. WIRE DIRECTLY FROM TRANSDUCER INPUT TERMINALS TO TRANSDUCER HEAD WITH SIGNAL CABLE SUPPLIED WITH TRANSDUCER.
3. COORDINATE WITH CITY TO TERMINATE ALARMS IN CITY SUPPLIED SCADA CABINET.
4. RELAY 4 ON LEVEL TRANSMITTER SHALL BE CONFIGURED TO ALARM ON A TRANSDUCER CABLE FAULT. RELAY 5 SHALL BE CONFIGURED TO ALARM ON LOSS OF ECHO (LOE).
5. ENCLOSURE HEATER SHALL BE EQUIPPED WITH AN INTEGRAL THERMOSTAT AND SHALL MAINTAIN THE INTERNAL ENCLOSURE TEMPERATURE AT 10°C.
6. PROVIDE PROPER TERMINAL BLOCKS IN EACH JUNCTION BOX FOR THE CONTROL CABLING, AND LARGE LUGS FOR THE POWER DISTRIBUTION CABLING. CONTROL AREAS AND 600V AREA SHALL BE SEPERATED BY A METALIC ISOLATION BARRIER.

LEGEND:

- () CONDUCTOR IDENTIFICATION
- STARTER TERMINALS
- UC TERMINALS
- DEVICE TERMINALS
- ⊕ UNIT CONTROLLER
- ⊕ LOCAL OPERATOR CONTROLS
- FIELD WIRING
- PANEL WIRING
- WIRE CONNECTION

MULTIRANGER 100



LOCATION APPROVED UNDERGROUND STRUCTURES

SUPPLY UTILITIES COMMITTEE DATE
 NOTE: LOCATION OF UNDERGROUND STRUCTURES AS SHOWN ARE BASED ON THE BEST INFORMATION AVAILABLE BUT NO GUARANTEE IS GIVEN THAT ALL EXISTING UTILITIES ARE SHOWN OR THAT THE GIVEN LOCATIONS ARE EXACT. CONFIRMATION OF EXISTENCE AND EXACT LOCATION OF ALL SERVICES MUST BE OBTAINED FROM THE INDIVIDUAL UTILITIES BEFORE PROCEEDING WITH CONSTRUCTION.

B.M. ELEV.	NO.	REVISIONS	DATE	BY
	0	ISSUED FOR CONSTRUCTION	05/12/07	AP

KGS GROUP
 CONSULTING ENGINEERS & PROJECT MANAGERS
 WINNIPEG (204) 896-1209
 THUNDER BAY (807) 345-2233

DESIGNED BY AP	CHECKED BY REW
DRAWN BY GCN	APPROVED BY
HOR. SCALE: AS NOTED	RELEASED FOR CONSTRUCTION: DATE
VERTICAL: DATE	

ENGINEER'S SEAL
ORIGINAL DRAWING SIGNED BY A. PAWLKIEWICH 05/12/07

THE CITY OF WINNIPEG
 WATER & WASTE DEPARTMENT
 Winnipeg

HAWTHORNE FLOOD PUMPING STATION UPGRADE
ELECTRICAL CONTROL INDICATION AND ALARM SCHEMATICS & WIRING DIAGRAM

SHEET 22 OF 24
 CAD FILE DRAWING NUMBER 05-0107-13
 CITY DRAWING NUMBER LD-3259

CONSULTANT DRAWING NO. 05-0107-13_22

