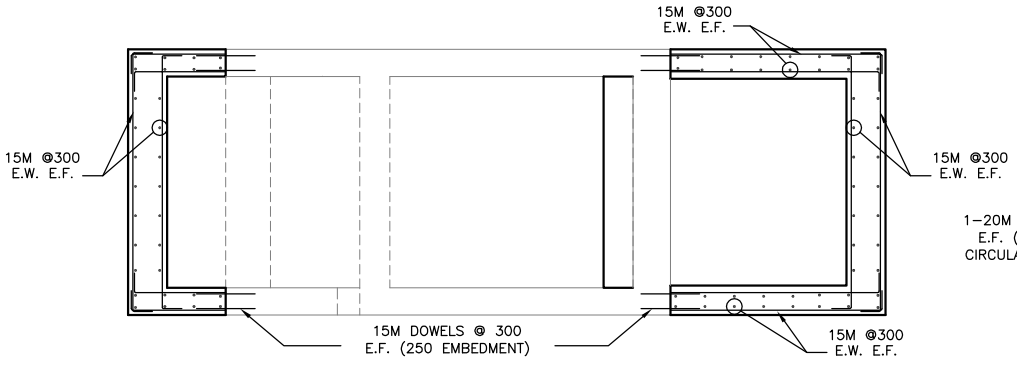
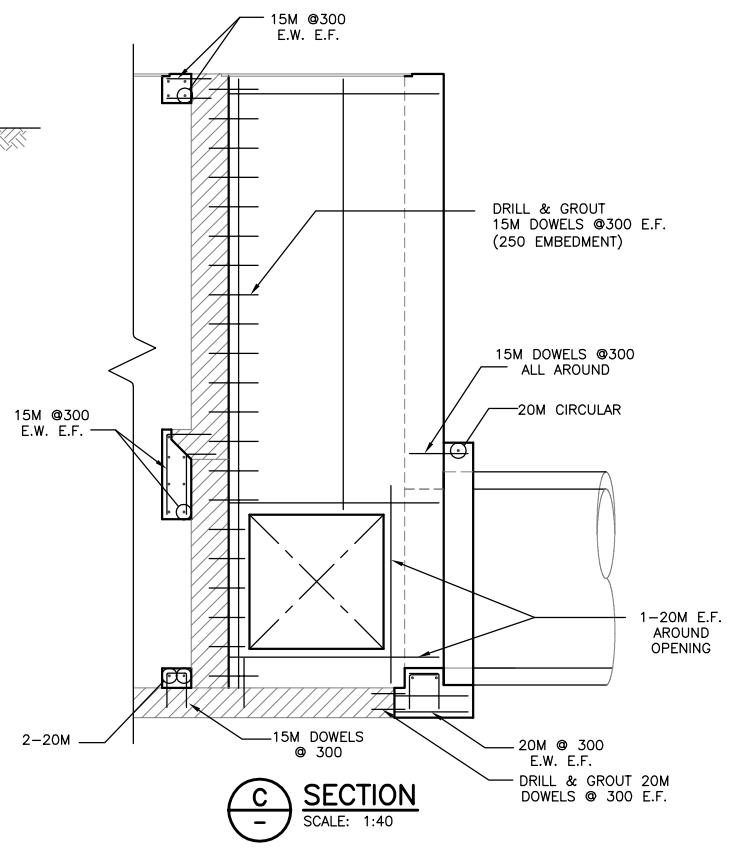


A ROOF REINFORCEMENT
SCALE: 1:40



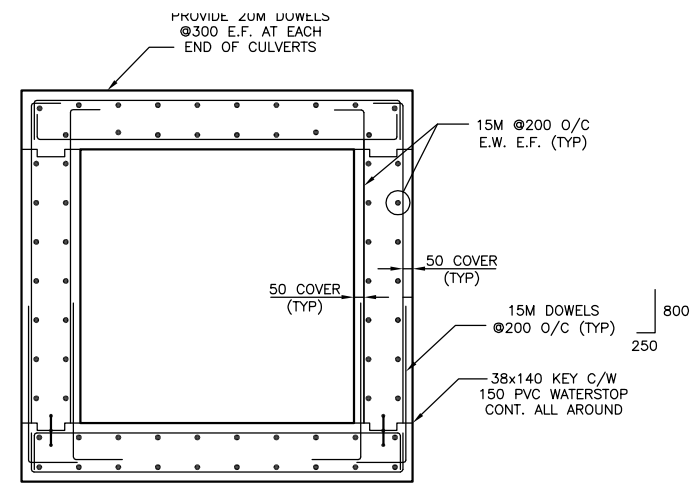
B SECTION
SCALE: 1:40



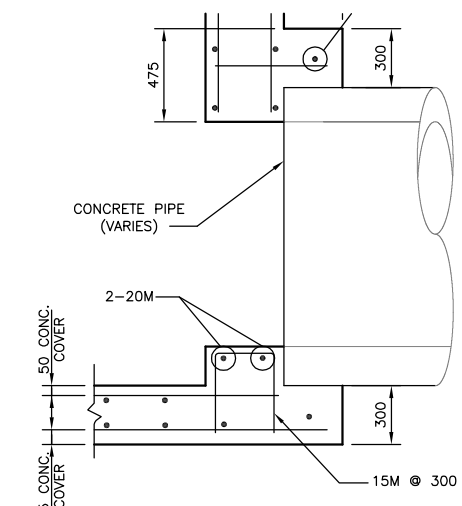
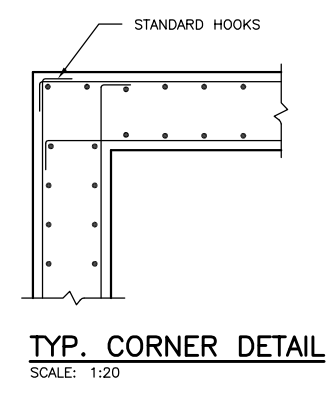
C SECTION
SCALE: 1:40



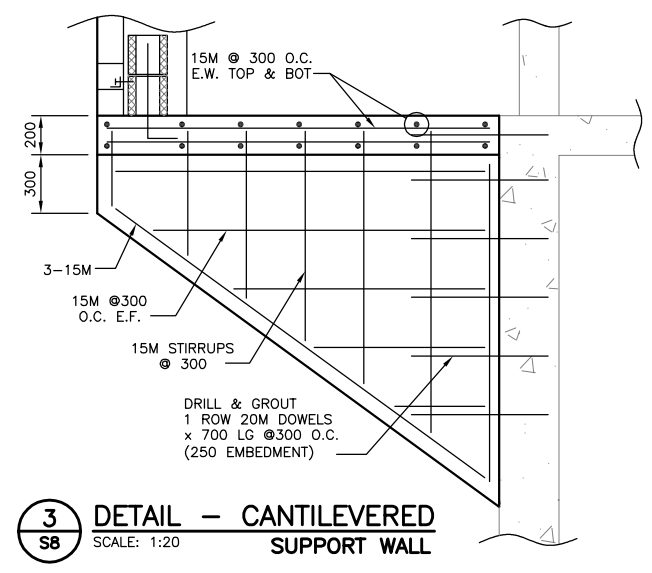
D SECTION
SCALE: 1:40



E SECTION - INLET & OUTLET CULVERT
SCALE: 1:20
FOR 1400mm & 1500mm



G TYP PIPE CONNECTION DETAIL
SCALE: 1:20



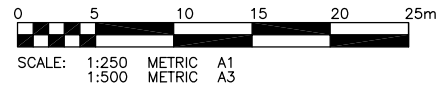
H DETAIL - CANTILEVERED SUPPORT WALL
SCALE: 1:20

WARNING

IF POWER EQUIPMENT OR EXPLOSIVES ARE TO BE USED FOR EXCAVATION ON THIS PROJECT THE CONTRACTOR MUST:
1) NOTIFY THE GAS COMPANY OF THE PROPOSED LOCATION OF EXCAVATION.
2) TAKE PRECAUTION TO AVOID DAMAGE TO GAS COMPANY INSTALLATIONS.
SEE PROVINCIAL REGULATION 210/72 FOR DETAILS.

METRIC

WHOLE NUMBERS INDICATE MILLIMETRES
DECIMALIZED NUMBERS INDICATE METRES



APEGM
Certificate of Authorization
KGS Group
No. 245 Expiry: April 30, 2006

B.M. XX-XXX ELEV. XXX.XXX	KGS GROUP CONSULTING ENGINEERS & PROJECT MANAGERS WINNIPEG (204) 896-1209 THUNDER BAY (807) 345-2233	ENGINEER'S SEAL
DESIGNED BY CMS		CHECKED BY CMS
DRAWN BY EDC		APPROVED BY
SCALE: AS NOTED		RELEASED FOR CONSTRUCTION:
0 ISSUED FOR CONSTRUCTION 05/12/07 CMS	DATE 05/11/08	DATE
NO. REVISIONS	DATE	BY

THE CITY OF WINNIPEG
WATER & WASTE DEPARTMENT

HAWTHORNE FLOOD PUMPING STATION UPGRADE

STRUCTURAL-SUBSTRUCTURE REINFORCING DETAILS

SHEET 16 OF 24
CAD FILE DRAWING NUMBER 05-0107-13-16
CITY DRAWING NUMBER LD-3253

DESIGNED BY: CMS
CHECKED BY: CMS
DRAWN BY: EDC
APPROVED BY:
SCALE: AS NOTED
RELEASED FOR CONSTRUCTION:
DATE: 05/11/08

ENGINEER'S SEAL
ORIGINAL DRAWING SIGNED BY:
C. SIEPMAN
05/12/07

CONSULTANT DRAWING NO.
05-0107-13-16