

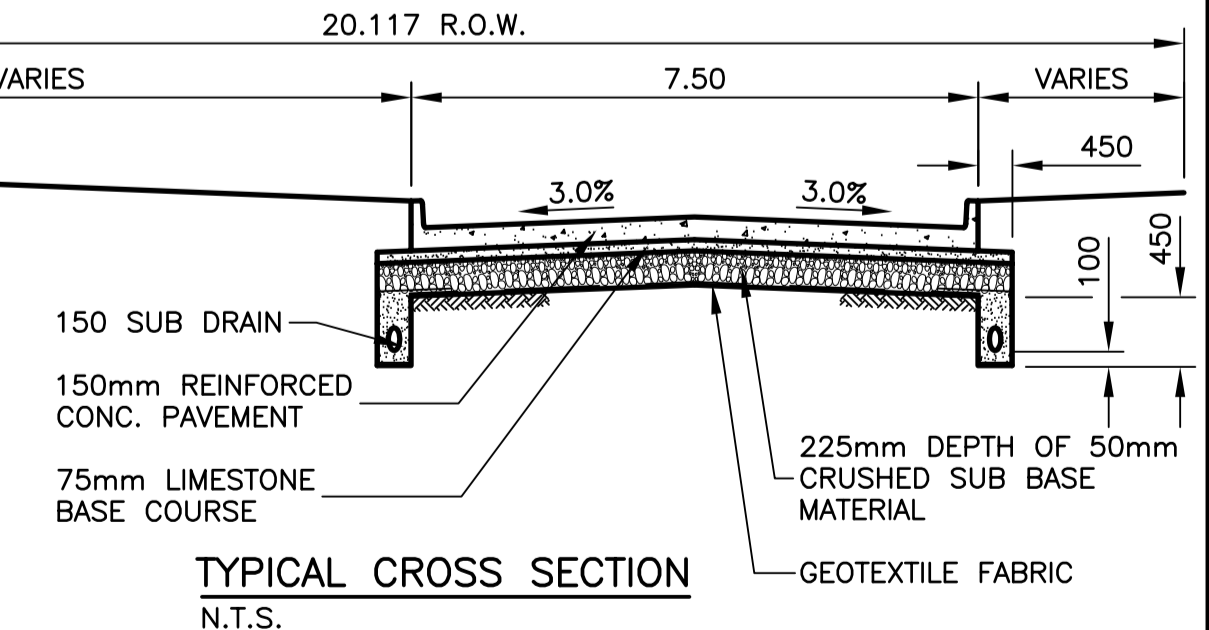
WARNING
 IF POWER EQUIPMENT OR EXPLOSIVES ARE TO BE USED FOR EXCAVATION ON THIS PROJECT THE CONTRACTOR MUST:

1. NOTIFY THE GAS COMPANY OF THE PROPOSED LOCATION OF EXCAVATION.
2. TAKE PRECAUTION TO AVOID DAMAGE TO GAS COMPANY INSTALLATIONS
 SEE PROVINCIAL REGULATION 210/72 FOR DETAILS

PARK BOULEVARD WEST

CONSTRUCTION NOTES:

1. CONTRACTOR TO EXERCISE CAUTION WHEN INSTALLING SUB DRAINS TO PREVENT CROSSING CONFLICTS WITH EXISTING GAS SERVICES.
2. CONTRACTOR SHALL TAKE PRECAUTIONARY STEPS TO AVOID DAMAGE FROM CONSTRUCTION ACTIVITIES TO EXISTING BOULEVARDS AND TREES WITHIN THE LIMITS OF CONSTRUCTION.
3. LOCATION OF EXISTING SERVICES ARE TO BE CONFIRMED IN THE FIELD BY THE CONTRACTOR.
4. TIE-INS TO BE VERIFIED IN THE FIELD BY THE CONTRACT ADMINISTRATOR.
5. BOULEVARD REPLACEMENT TO BE FINALIZED IN THE FIELD AS DIRECTED BY THE CONTRACT ADMINISTRATOR.
6. PRIVATE APPROACHES TO BE REPLACED AS PER SD-235 WITH A MINIMUM WIDTH OF 3.0m.
7. SUB DRAINS SHALL BE INSTALLED AS PER SD-245.
8. CONTRACTOR SHALL BE RESPONSIBLE TO ENSURE RESIDENTS HAVE REMOVED ALL VEHICLES, TRAILERS ETC. FROM GARAGES/DRIVEWAYS PRIOR TO REMOVAL OF STREET IN FRONT OF RESPECTIVE PROPERTIES.



METRIC
 WHOLE NUMBERS INDICATE MILLIMETRES
 DECIMALIZED NUMBERS INDICATE METRES

150 mm W.M.	WATERMAIN	150 mm W.M.	HYDRO	150 mm W.M.	WATERMAIN	150 mm W.M.
	HYDRANT VALVE		M.T.S.		HYDRANT VALVE	
	LAND DRAINAGE SEWER		CONCRETE ASPHALT		LAND DRAINAGE SEWER	
	WASTE WATER SEWER		PLANING		WASTE WATER SEWER	
	MANHOLE		SIDEWALK		MANHOLE	
	CATCH BASIN		PAVING STONES		CATCH BASIN	
	CURB INLET		PARTIAL DEPTH REPAIR		CURB INLET	
	JUNCTIONS		PROPERTY LINE		JUNCTIONS	
	CULVERT		SURVEY BAR		CULVERT	
	GAS		PARAPLEGIC RAMP		GAS	
	EXISTING LEGEND-PLAN		PROPOSED LEGEND-PLAN		EXISTING LEGEND-PROFILE	

UNDERGROUND STRUCTURES

SUPV. U/G STRUCTURES COMMITTEE DATE

NOTE:
 LOCATION OF UNDERGROUND STRUCTURES AS SHOWN ARE BASED ON THE BEST INFORMATION AVAILABLE. BUT NO GUARANTEE IS GIVEN THAT ALL EXISTING UTILITIES ARE SHOWN OR THAT THE GIVEN LOCATIONS ARE EXACT. CONFIRMATION OF EXISTENCE AND EXACT LOCATION OF ALL SERVICES MUST BE OBTAINED FROM THE INDIVIDUAL UTILITIES BEFORE PROCEEDING WITH CONSTRUCTION.

BENCH MARK
 84R539 - N.E. COR. GRANT AVE. & PARK BLVD. W., TBLT. ON TOP OF 0.05m DIA. x 2.4m IRON PIPE, 8.5m N. OF S.L. OF GRANT AVE. & 8.1m E. OF W.L. OF PARK BLVD. W.

B.M. 51-041
 ELEV. 234.322m

NO.	REVISIONS	DATE	BY
3	ISSUED FOR TENDER	03/30/05	TJP
2	PAVEMENT REDESIGN	02/2/05	TJP
1	ISSUED FOR REVIEW	01/3/05	TJP

DESIGNED BY	T. PETERS
DRAWN BY	A. PORCO
CHECKED BY	D. KRAHN
APPROVED BY	ORIGINAL SIGNED BY D. KRAHN, P.ENG.
HOR. SCALE	1:250
VERTICAL	1:10
DATE	10/25/04

DILLON CONSULTING

RELEASED FOR CONSTRUCTION
 ORIGINAL SIGNED BY K. TURKO, C.E.T.
 DATE 03/31/05

ENGINEER'S SEAL
 PROVINCE OF MANITOBA
 ORIGINAL STAMPED BY
T. J. PETERS
 Member
 22309
 REGISTERED PROFESSIONAL ENGINEER

CONSULTANT PROJECT NO.
04-3914-1000

THE CITY OF WINNIPEG
 PUBLIC WORKS DEPARTMENT

2005 RESIDENTIAL STREET RENEWAL PROGRAM

PARK BOULEVARD WEST

GRANT AVE. TO MOUNTBATTEN AVE.
 STA. 0+375 TO STA. 0+500

CITY DRAWING NUMBER
 SHEET **3** OF **10**