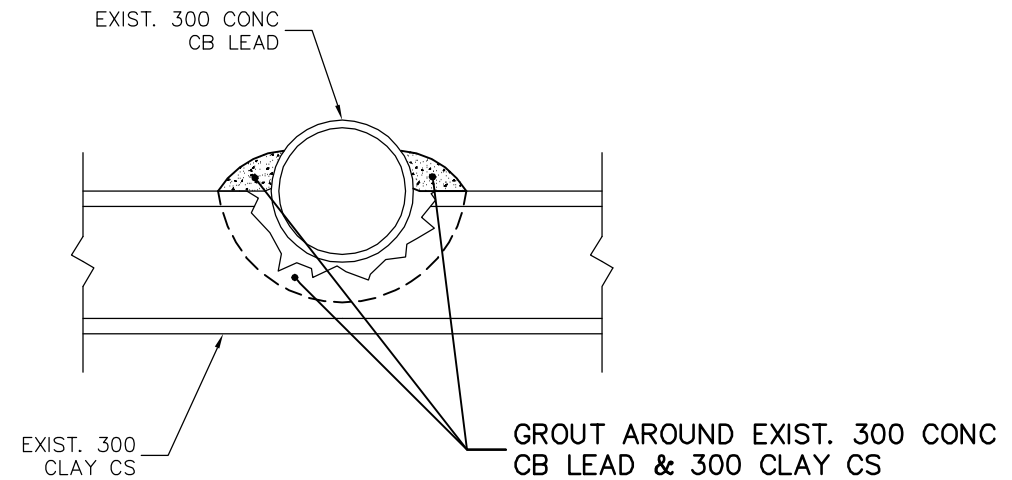


NOTES:
 1. CONTRACTOR TO VERIFY LIMITS OF SEWER REPAIRS PRIOR TO EXCAVATION BY MEANS OF VIDEO INSPECTION.
 2. CONTRACTOR TO PROVIDE VIDEO INSPECTION OF SEWER SERVICES WITHIN LIMITS OF REPAIR OR RENEWAL IN PRESENCE OF CONTRACT ADMINISTRATOR TO DETERMINE IF SERVICE RENEWAL IS REQUIRED.

SEWER JUNCTION INFORMATION FROM VIDEO INSPECTION					
DISTANCE FROM 3rd MH (S-MH60005412) W OF LANARK STREET					
1.50	E	150	SOUTH	-	
2.20	E	150	NORTH	-	
2.20	E	150	SOUTH	-	
9.00	E	150	SOUTH	-	
23.0	E	150	NORTH	-	
28.40	E	150	SOUTH	-	
29.20	E	150	NORTH	-	
35.40	E	200	SOUTH	-	
36.20	E	150	NORTH	-	



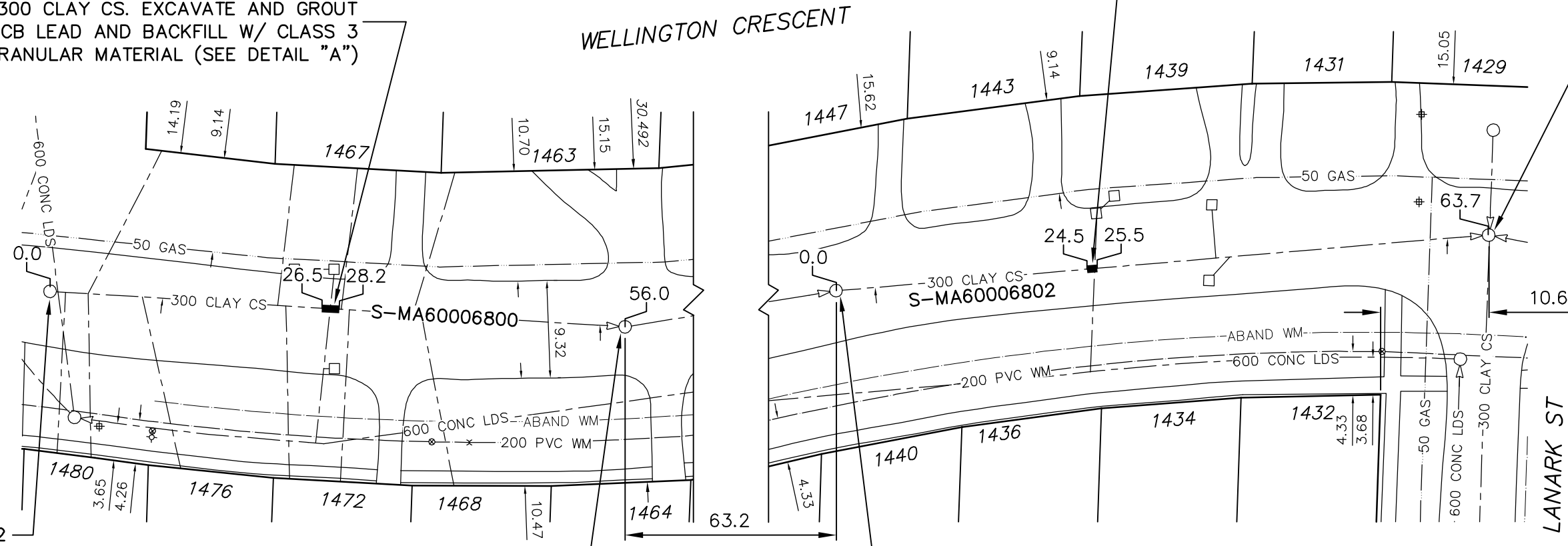
DETAIL "A" - SECTION VIEW

EXIST. 300 CB LEAD CORED THROUGH TOP OF EXIST. 300 CLAY CS. EXCAVATE AND GROUT AROUND CB LEAD AND BACKFILL W/ CLASS 3 GRANULAR MATERIAL (SEE DETAIL "A")

EXIST. 300 CB LEAD CORED THROUGH TOP OF EXIST. 300 CLAY CS. EXCAVATE AND GROUT AROUND CB LEAD AND BACKFILL W/ CLASS 3 GRANULAR MATERIAL (SEE DETAIL "A")



S-MH60005434
 MH @ LANARK ST
 RIM 232.71
 INV E 228.28
 INV W 228.28
 INV N 228.28
 INV S 228.28



S-MH60005412
 3RD MH W LANARK ST
 RIM 230.94
 INV S 229.01
 INV N 229.01

S-MH60005411
 2nd MH W LANARK ST
 RIM 231.75
 INV E 228.78
 INV W 228.78

S-MH60005411
 1st MH W LANARK ST
 RIM 232.76
 INV E 228.61
 INV W 228.61

ENGINEER'S SEAL
 ORIGINAL SIGNED BY K.R. ZUREK
 05/12/07
 BID OPPORTUNITY No: 683-2005
 FILENAME : Well_LANARK_EPR.dwg
 PLOT DATE : 2005 12 08

LEGEND:
 52.0 | MEASUREMENT TO REPAIR FROM REFERENCE MH SHOWN THUS...

METRIC
 WHOLE NUMBERS INDICATE MILLIMETRES
 DECIMALIZED NUMBERS INDICATE METRES

B.M. ELEV.	FIELD BOOK #:	CITY OF WINNIPEG WATER AND WASTE ENGINEERING DIVISION		THE CITY OF WINNIPEG WATER AND WASTE DEPARTMENT	
POSTED TO LIS		DESIGNED BY NC	CHECKED BY TW/KZ	2005 COMBINED SEWER RENEWALS AND SEWER REPAIRS CONTRACT 18	
		DRAWN BY CJH/BAW/HL	APPROVED BY KZ	WELLINGTON CRESCENT	
		HOR. SCALE 1:500	RELEASED FOR CONSTRUCTION	3RD MH W OF LANARK STREET TO MH AT LANARK STREET	
		VERTICAL		SHEET 5 OF 10	
NO. REVISIONS	DATE BY	DATE 2005 12 08	DATE	CITY DRAWING NUMBER 05704	