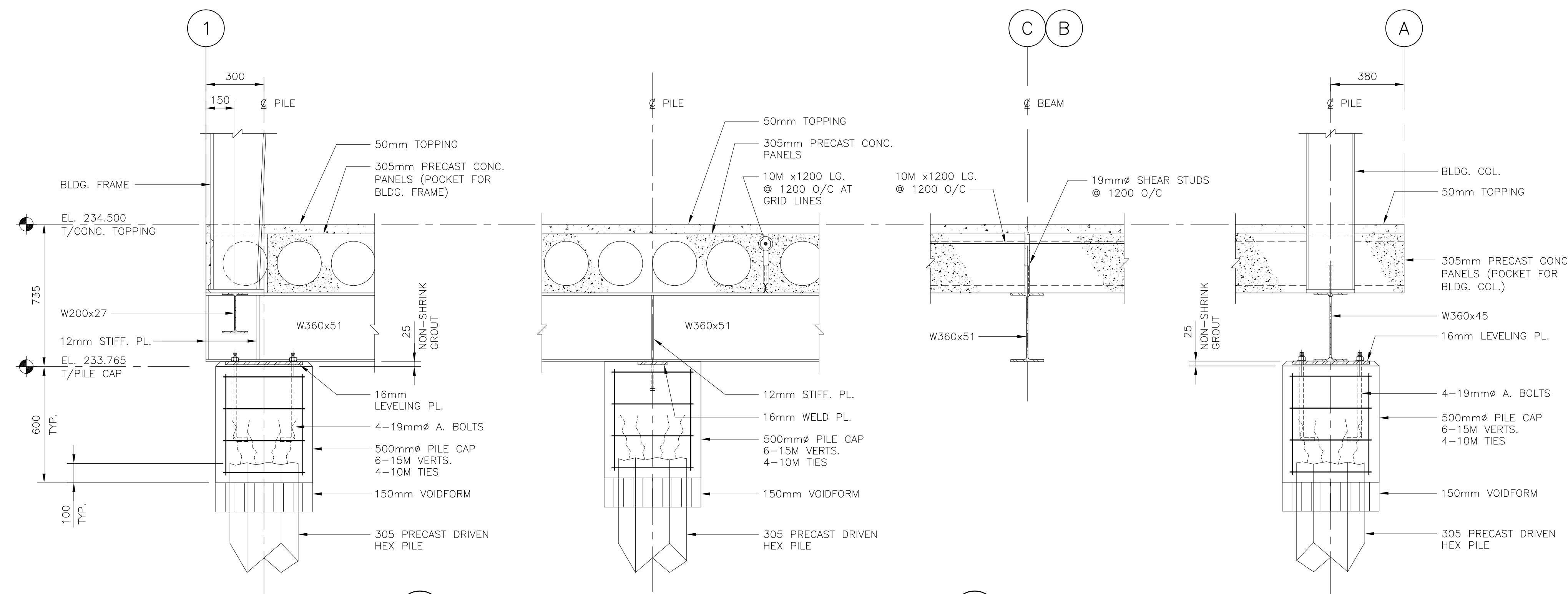
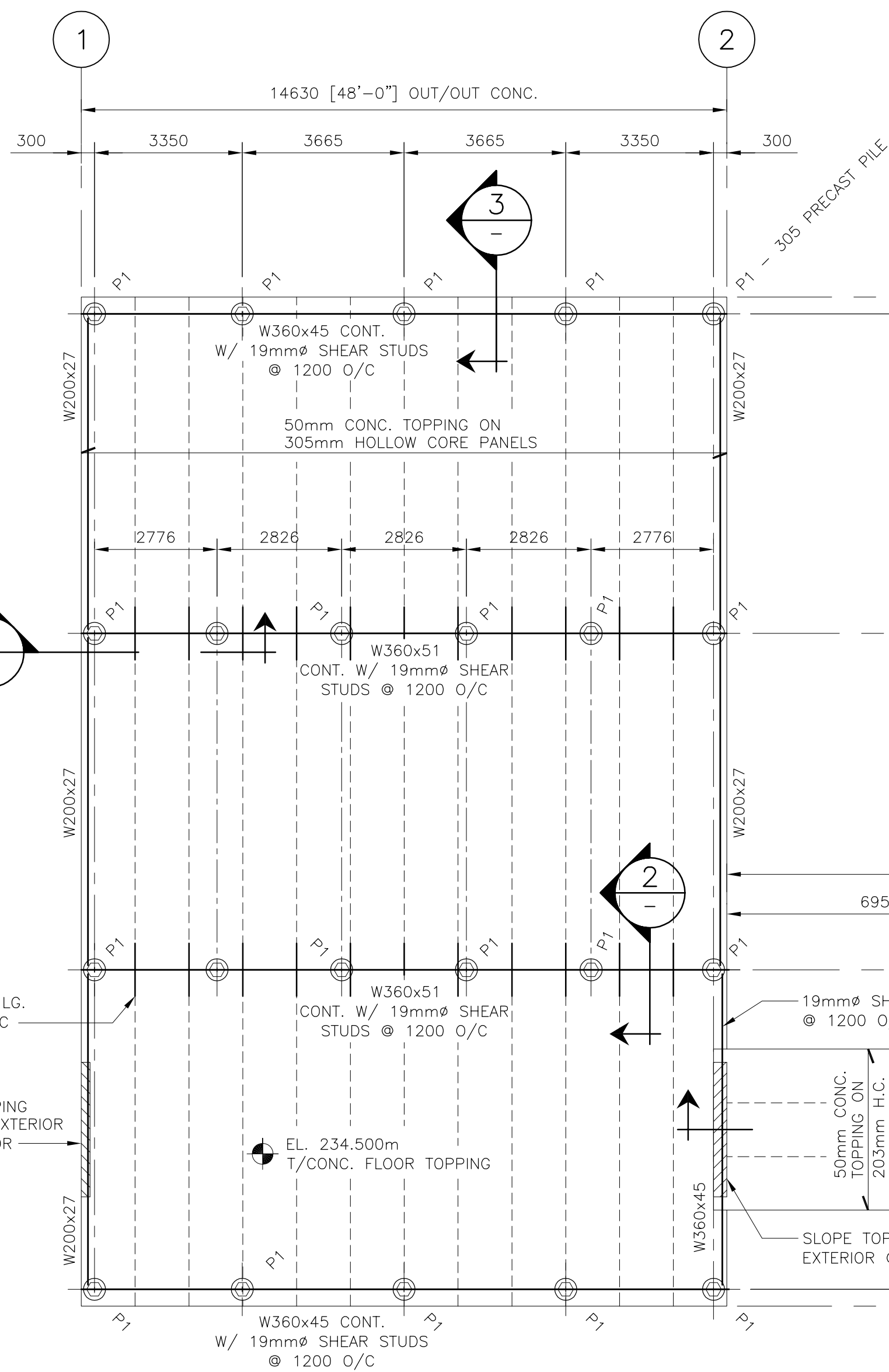
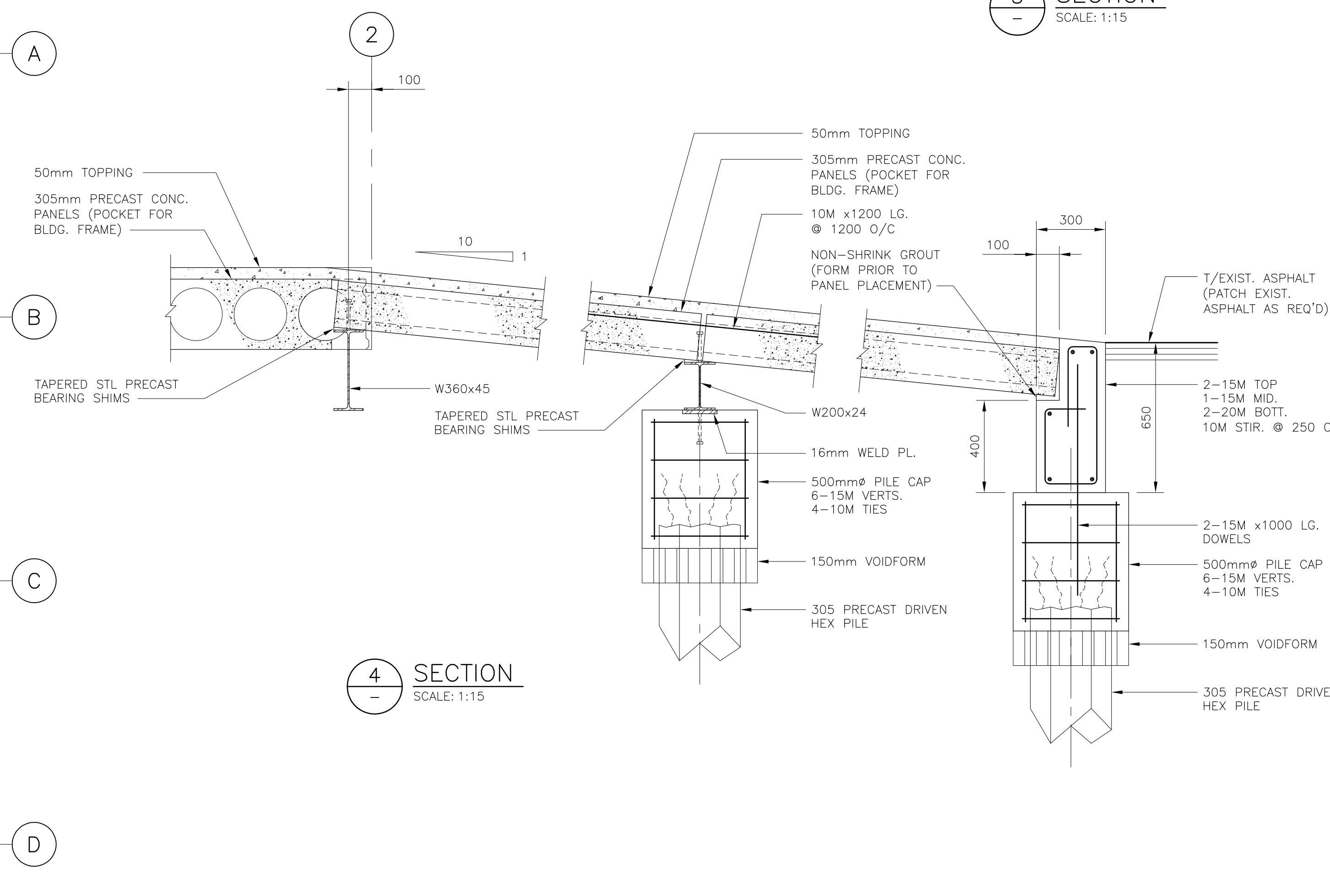


KGS No. P:\PROJECTS\2005-05-0107-12\CONC\DWG\05-0107-12-S-01-r0.dwg 841mm x 594mm/SCALE: 1:1

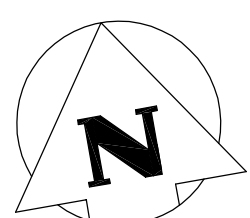


1 SECTION SCALE: 1:15
2 SECTION SCALE: 1:15
3 SECTION SCALE: 1:15

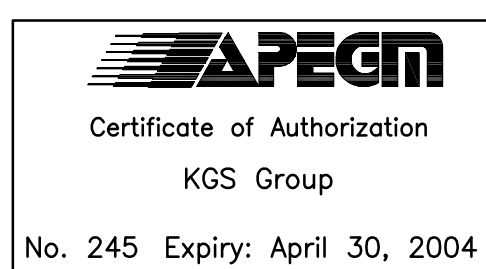


4 SECTION SCALE: 1:15

FOUNDATION AND FLOOR FRAMING PLAN
SCALE: 1:100



SPECIFIED DESIGN FLOOR LOADS	
DESIGN DEAD LOAD	= 4.6 kN/m ² [95 psf]
DESIGN LIVE LOAD	= 13.3 kN/m ² [275 psf]
TOTAL DESIGN LOAD	= 17.9 kN/m ² [370 psf]



B.M. ELEV.			
DESIGNED BY	RJL	CHECKED BY	
DRAWN BY	SNH	APPROVED BY	
HOR. SCALE	VERTICAL	RELEASED FOR CONSTRUCTION	
0	ISSUED FOR TENDER	NOV.14/05	RJL
NO.	REVISIONS	DATE	BY
		DATE	SEPT. 2005

KGS CONSULTING ENGINEERS & PROJECT MANAGERS GROUP
WINNIPEG THUNDER BAY



CONSULTANT DRAWING NO.
05-0107-12-S1

THE CITY OF WINNIPEG
PLANNING PROPERTY AND DEVELOPMENT
Winnipeg SERVICES DEPARTMENT

CHEMICAL STORAGE WAREHOUSE
FOUNDATION PLAN,
FLOOR FRAMING PLAN AND SECTIONS

SHEET	4	OF	5
CAD FILE DRAWING NUMBER	05-107-12-S-01-r0.dwg		
PROJECT NUMBER	2005-056		