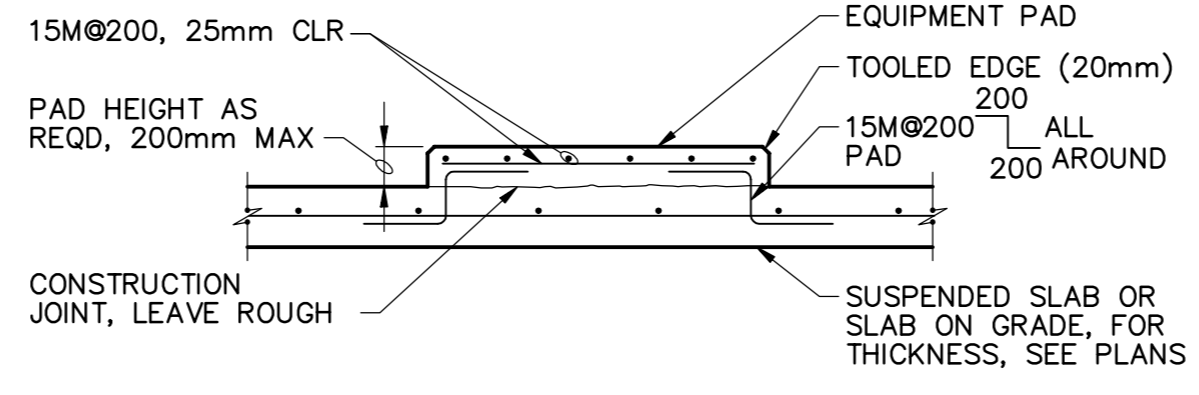


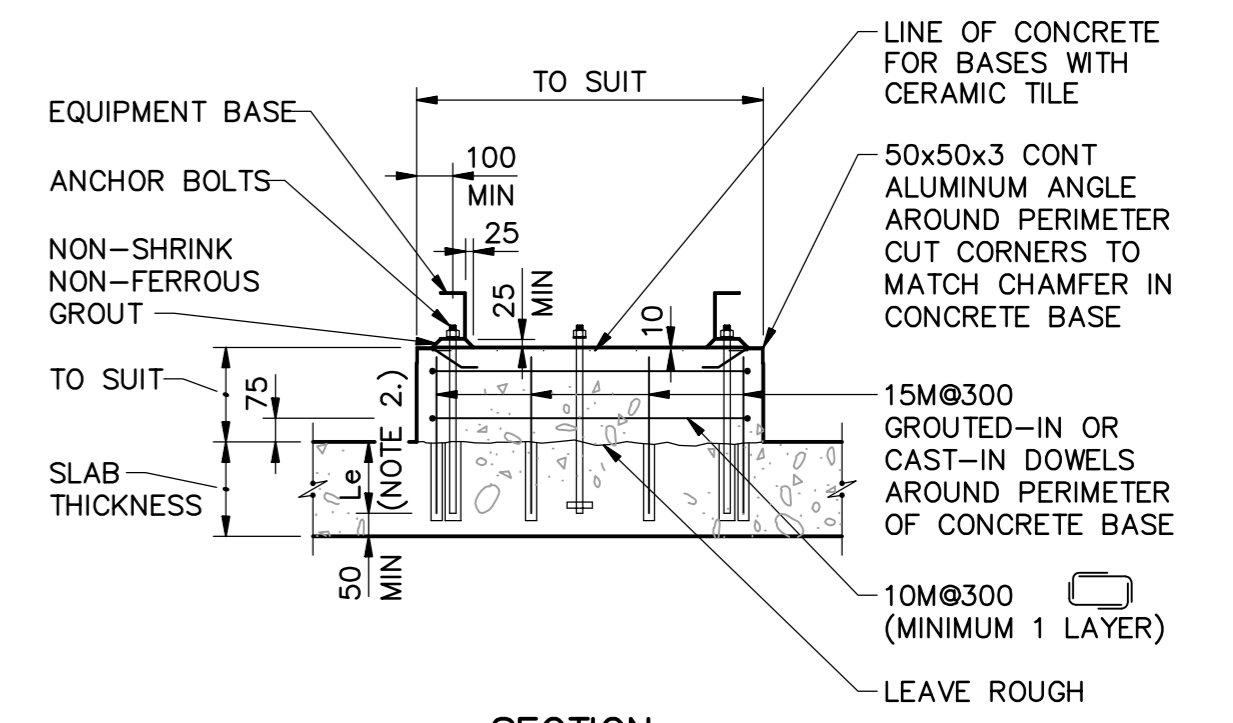
TYPE C

1 CONCRETE EQUIPMENT PAD  
N.T.S.



- NOTES:
1. SEE EQUIPMENT PAD NOTES.
  2. WHEN ANCHORAGE OF EQUIPMENT TO SLAB IS REQUIRED, USE SST WEDGE ANCHORS SPECIFIED.

2 EQUIPMENT PAD  
N.T.S.



SECTION

- NOTES:
1. DIMENSIONS OF BASES, ANCHOR BOLTS, SIZES AND LOCATIONS TO SUIT EQUIPMENT SUPPLIED. (SEE MECHANICAL/PROCESS DWGS)
  2. FOR GROUTED-IN DOWEL EMBEDMENT LENGTH,  $L_e$ , REFER TO DETAIL 1 WB-S0447
  3. ANCHOR BOLT EMBEDMENT DETAILS, PRESTRESSING, ETC AS REQUIRED BY EQUIPMENT MANUFACTURER.
  4. FOR ANCHOR BOLT DETAILS, SEE 4 WB-S0444

3 TYPICAL CONCRETE EQUIPMENT PAD  
N.T.S.

**APEGM**  
Certificate of Authorization  
CH2M Hill Canada Limited (ON)  
No. 1441 Expiry: April 30, 2006

B.M. ELEV.			
NO.	ISSUED FOR TENDER	05/10/28	DK
NO.	REVISIONS	DATE	BY

**CH2MHILL**  
Frederickson Cooper  
ARCHITECTS

**EarthTech**  
A Tyco International Ltd. Company

DESIGNED BY: DK	CHECKED BY: AP
DRAWN BY: EK	APPROVED BY: DJT
SCALE: NTS	RELEASED FOR CONSTRUCTION BY: R. SOROKOWSKI
DATE: 2005/10/24	DATE: 2005/10/28

ENGINEER'S SEAL  
ORIGINAL SIGNED BY  
D. KRUGER  
2005/10/28  
CONSULTANT DRAWING NO.  
WB-S0448

**THE CITY OF WINNIPEG**  
WATER AND WASTE DEPARTMENT  
ENGINEERING DIVISION

Winnipeg

WATER TREATMENT PLANT  
FOUNDATIONS AND CONCRETE STRUCTURES 1  
STRUCTURAL  
STANDARD DETAILS

CITY FILE NUMBER	
SHEET OF	
CITY DRAWING NUMBER	1-060B-D-60448-001-00D