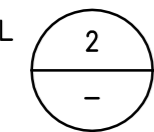
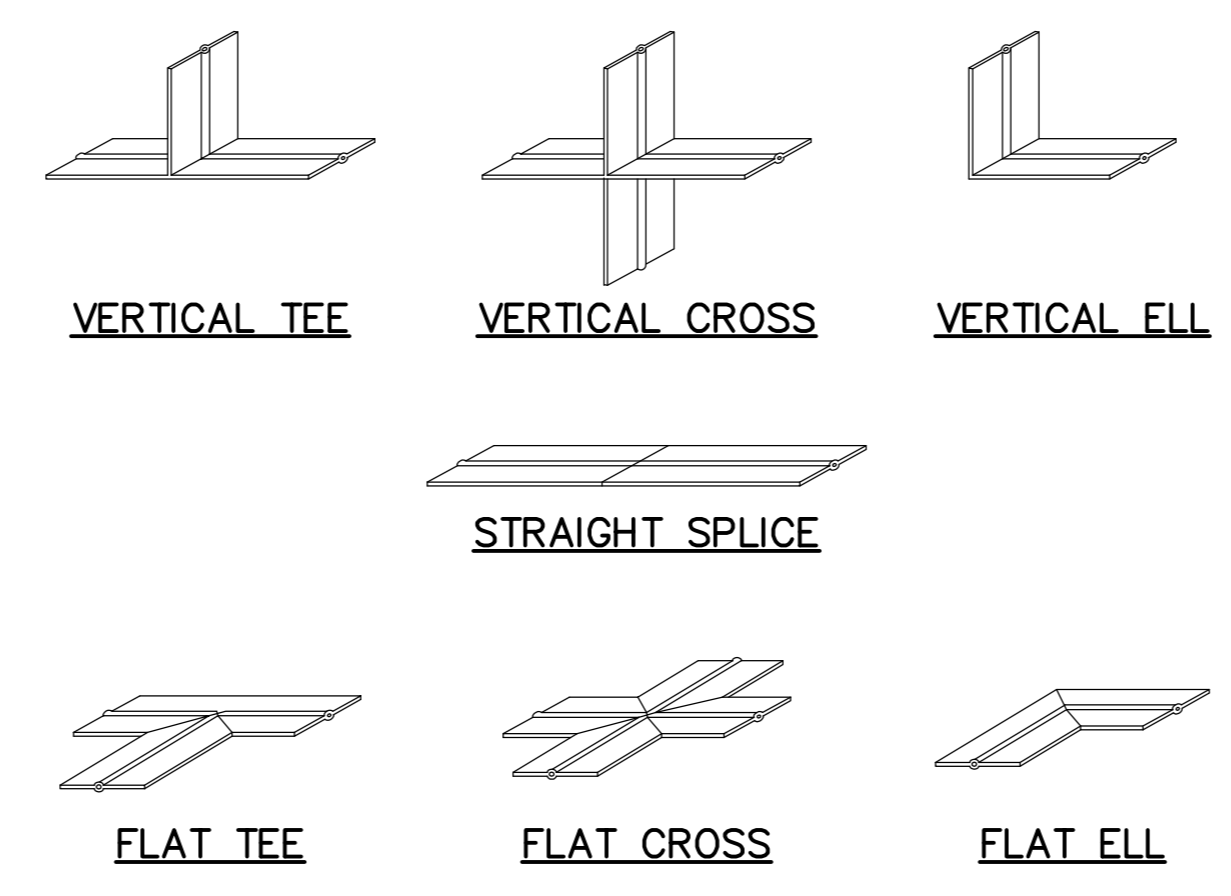


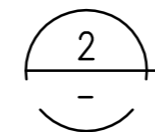
SIZE	"A"	"B"	"C"	"D"	"E"	"F"
100mmx5mm	100mm	5mm	5mm	19mm	6mm	4
150mmx10mm	150mm	10mm	10mm	22mm	6mm	6
225mmx10mm	225mm	10mm	10mm	25mm	6mm	8

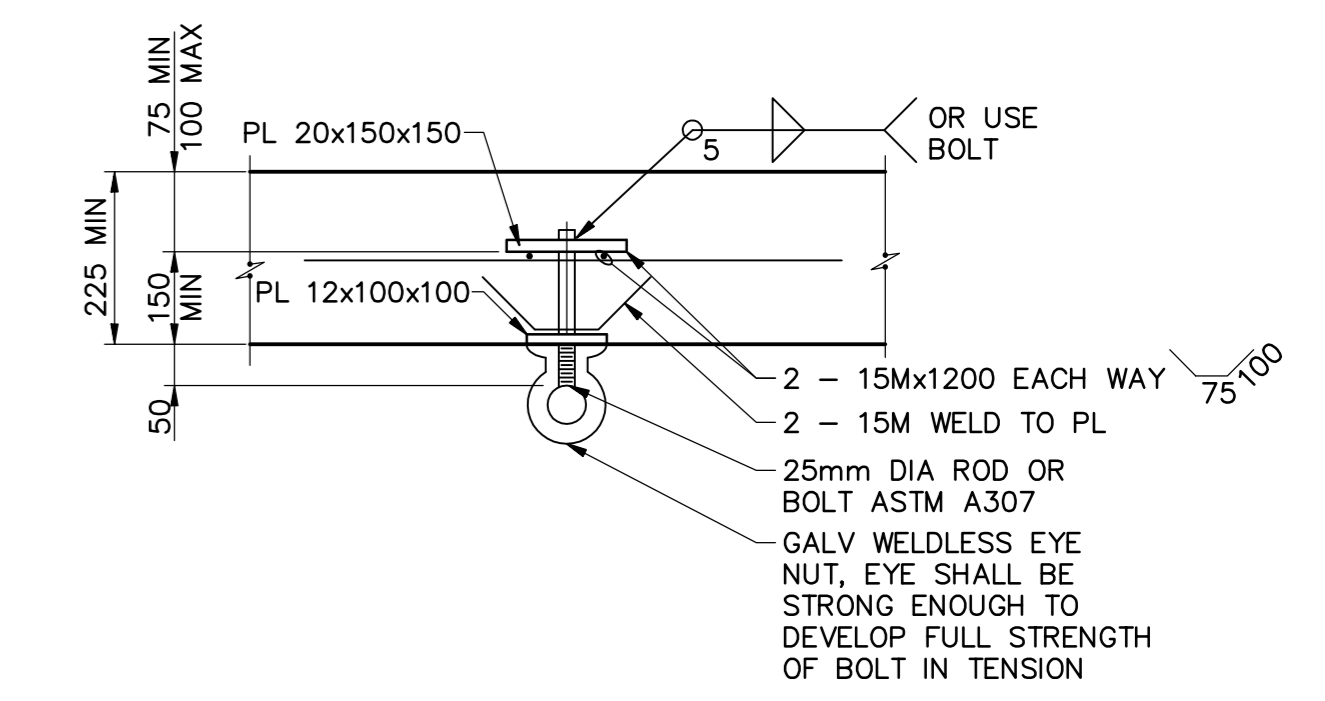
- NOTES:**
- NON-ROUND CENTER BULBS SHALL HAVE A MINIMUM OUTSIDE DIMENSION OF 'D'.
 - SEE SPLICE DETAIL 
 - BULB TYPE WATERSTOP SHOWN IS REQUIRED FOR EXPANSION AND CONTROL JOINTS. SIMILAR WATERSTOPS WITHOUT CENTER BULB MAY BE SUBSTITUTED AT CONSTRUCTION JOINTS.
 - USE 150mm WATERSTOPS IN ALL CONSTRUCTION JOINTS, UNLESS SPECIFICALLY SHOWN OTHERWISE.
 - USE 225mm WATERSTOPS FOR ALL EXPANSION JOINTS TYP.
 - SPECIAL TYPE OF WATER STOP IS REQUIRED IN OZONE CONTACTOR NO- 1 & 2 (ALL CELLS), SEE SPECIFICATION

 **1 PLASTIC WATERSTOP**
N.T.S.



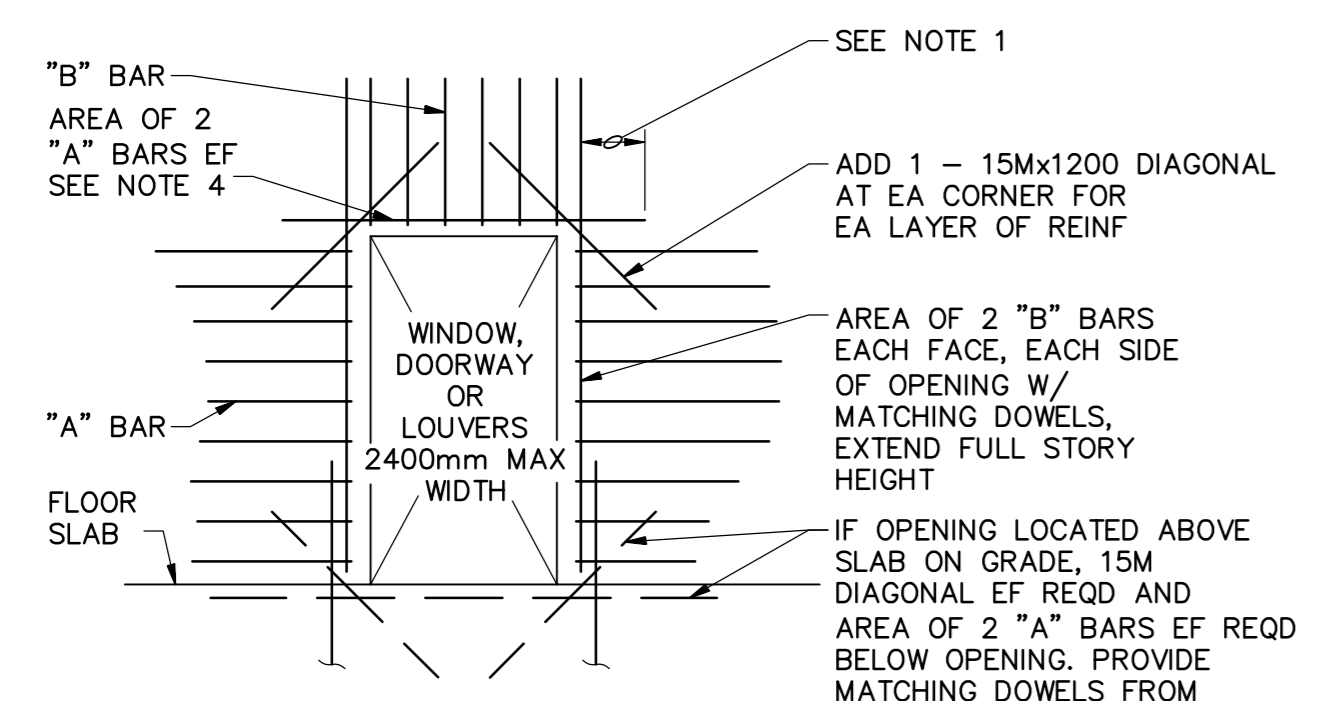
- NOTES:**
- JOIN WATERSTOP TO FORM A CONTINUOUS UNBROKEN WATERSEAL.
 - ASSEMBLE 'TEES', 'CROSSES', AND 'ELLS' ACCURATELY.
 - SPLICE WATERSTOP IN ACCORDANCE WITH MANUFACTURER'S WRITTEN INSTRUCTIONS.
 - WELD TO PENETRATE FULL DEPTH OF THE WATERSTOP MATERIAL AT SPLICES.

 **2 PVC WATERSTOP**
N.T.S.



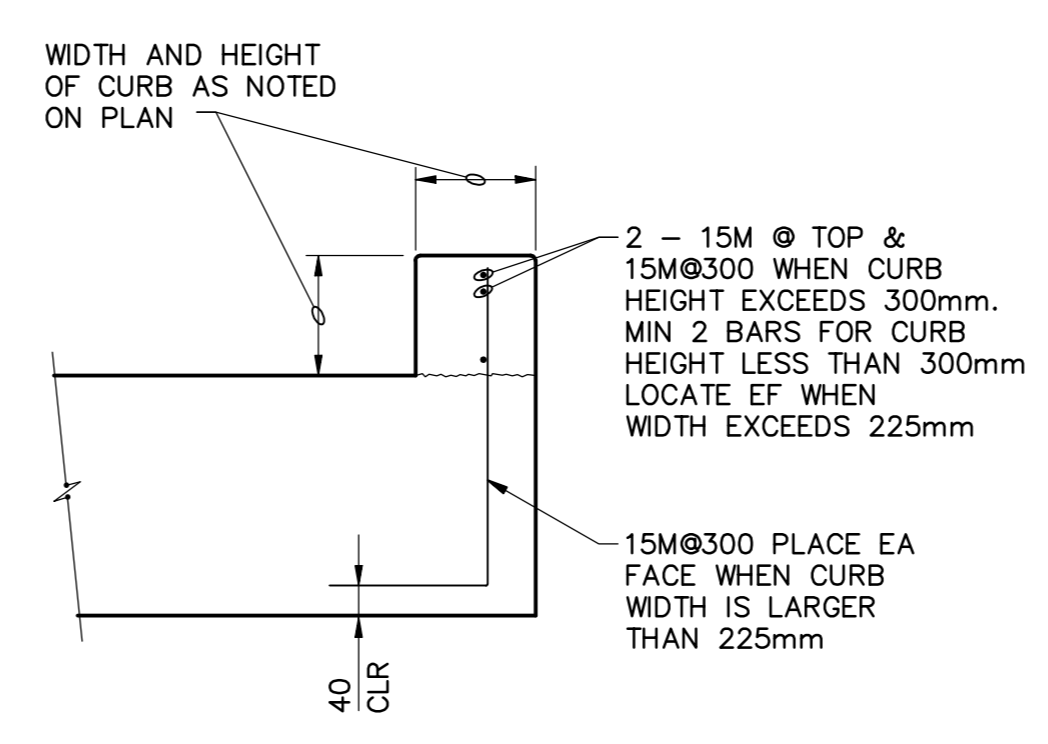
- NOTES:**
- MAXIMUM LOAD RATING FOR LIFTING EYE 30 kN.
 - SUBMIT DATA ON EYE BOLT WITH SHOP DRAWINGS.

 **3 LIFTING EYE - TYPE 2**
N.T.S.

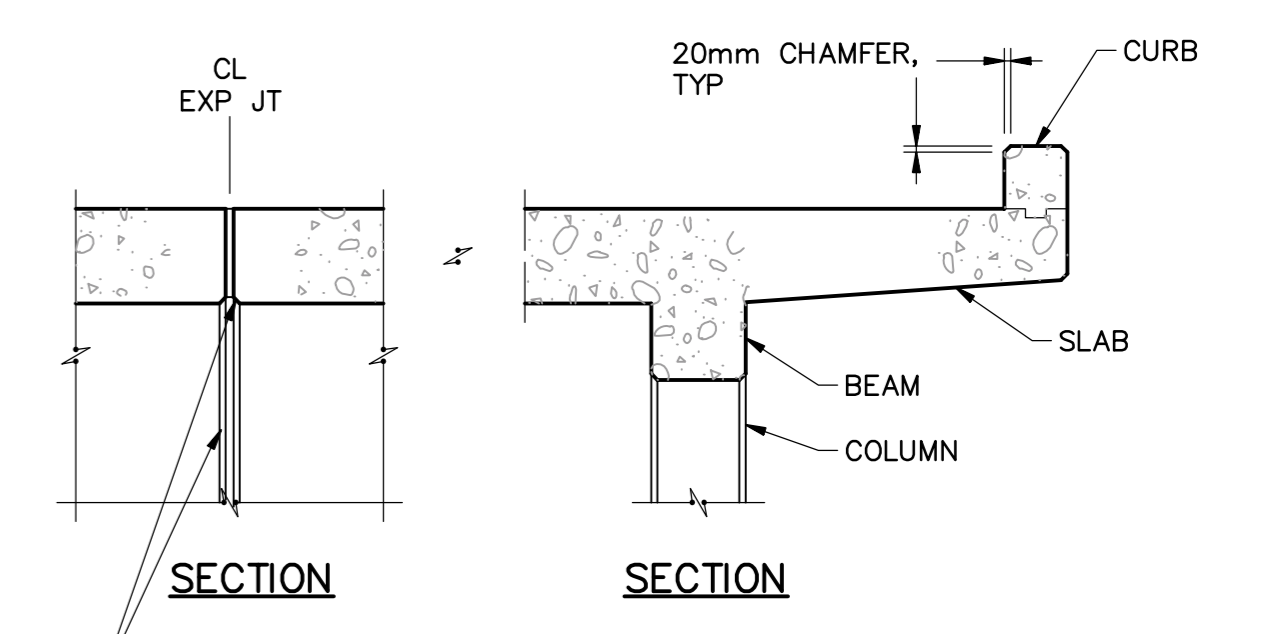


- NOTES:**
- PROVIDE MINIMUM LAP, SEE GENERAL STRUCTURAL NOTES.
 - TYPICAL FOR ALL OPENINGS IN ALL CONCRETE WALLS UNLESS INDICATED OTHERWISE ON PLANS.
 - DO NOT WELD REINFORCEMENT TO PIPE SLEEVES AND INSERTS.
 - IF THE WIDTH OF DOORWAY, LOUVERS, WINDOWS AND OTHER OPENINGS IS GREATER THAN 2400 & LESS THAN 4500 PROVIDE 3-25M OR AREA OF 2A BAR EF, WHICHEVER IS GREATER. LENGTH OF BAR = WIDTH OF OPENING + 600 UNO.

 **4 OPENING REINFORCING**
N.T.S.







 **5 CONCRETE CURB**
N.T.S.



- NOTE:**
PROVIDE CHAMFER ALONG EXPOSED EDGES ON CONCRETE SLABS, BEAMS, CURBS, COLUMNS, WALL OPENINGS AND SIMILAR ITEMS UNLESS OTHERWISE NOTED OR DIRECTED.

 **6 CHAMFERS**
N.T.S.

 Certificate of Authorization CH2M Hill Canada Limited (ON) No. 1441 Expiry: April 30, 2006	B.M. ELEV.	 Frederickson Cooper ARCHITECTS	 A Tyco International Ltd. Company	ENGINEER'S SEAL	 THE CITY OF WINNIPEG WATER AND WASTE DEPARTMENT ENGINEERING DIVISION			
				DESIGNED BY: DK		CHECKED BY: AP	ORIGINAL SIGNED BY: D. KRUGER	
				DRAWN BY: EK		APPROVED BY: DJT	2005/10/28	
				SCALE: NTS		RELEASED FOR CONSTRUCTION BY: R. SOROKOWSKI	CONSULTANT DRAWING NO. WB-S0446	
00 ISSUED FOR TENDER 05/10/28 DK	NO. REVISIONS	DATE	DATE	2005/10/24	DATE	2005/10/28	WATER TREATMENT PLANT FOUNDATIONS AND CONCRETE STRUCTURES 1 STRUCTURAL STANDARD DETAILS	CITY FILE NUMBER SHEET OF CITY DRAWING NUMBER 1-060B-D-60446-001-00D