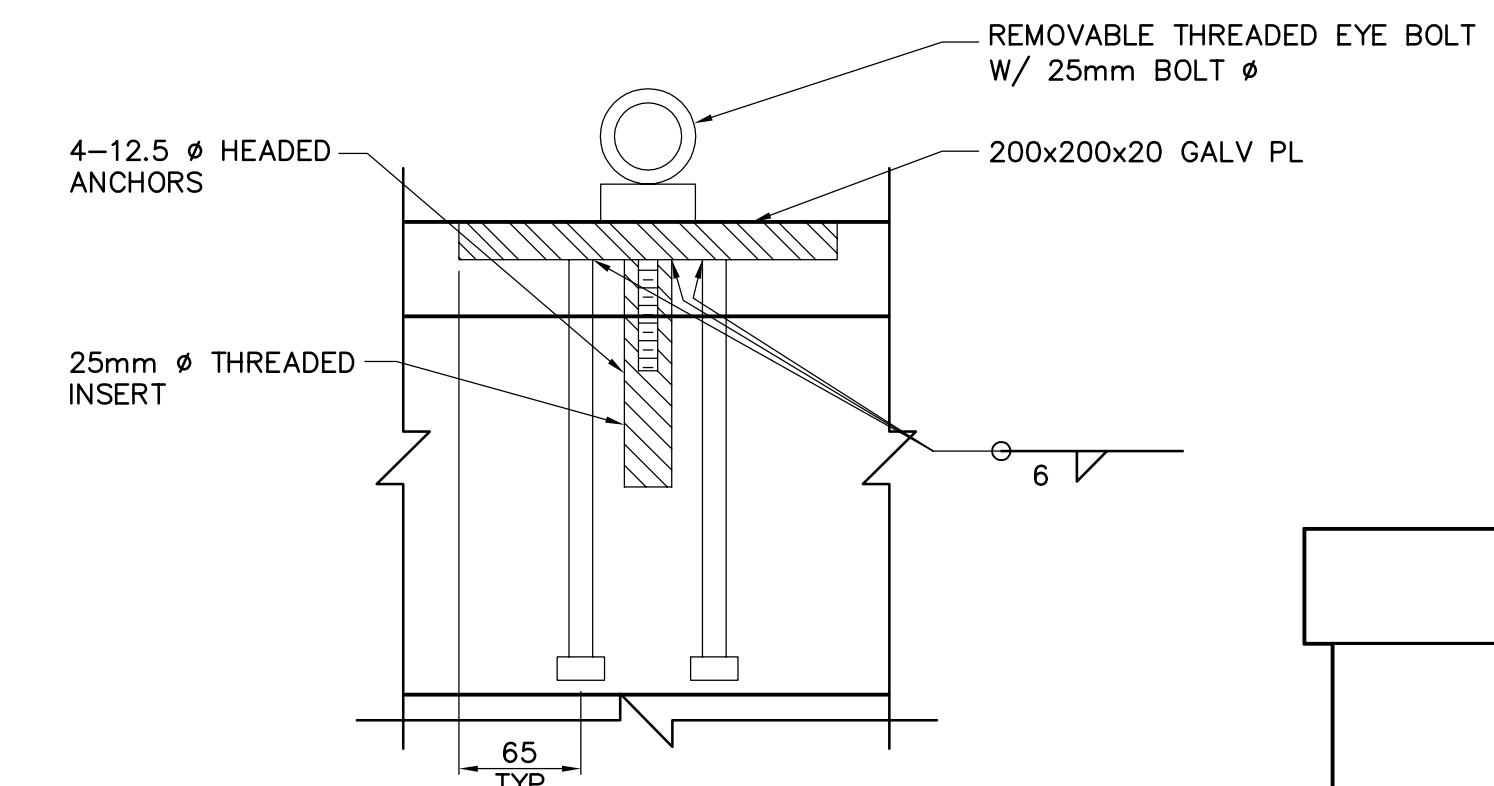
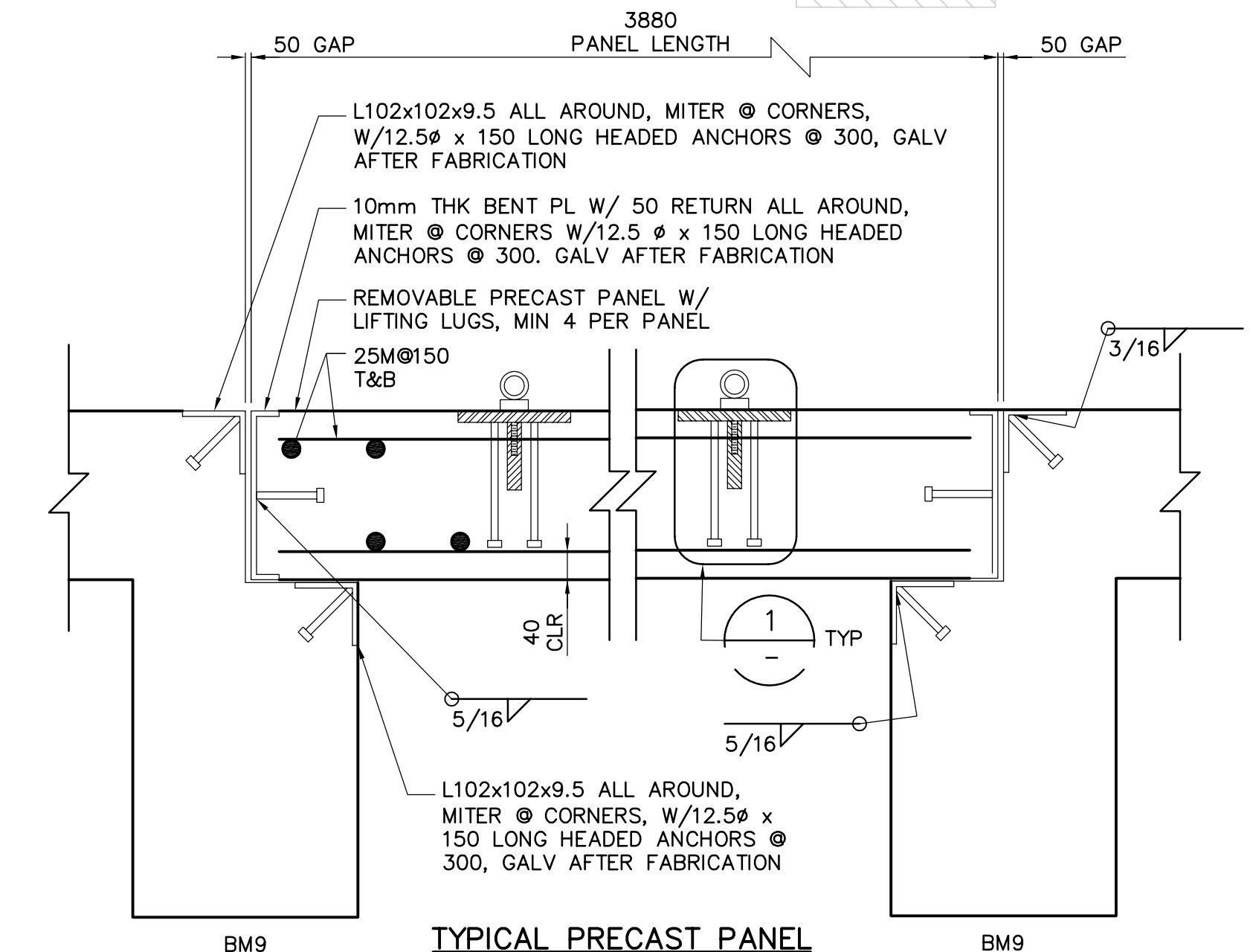
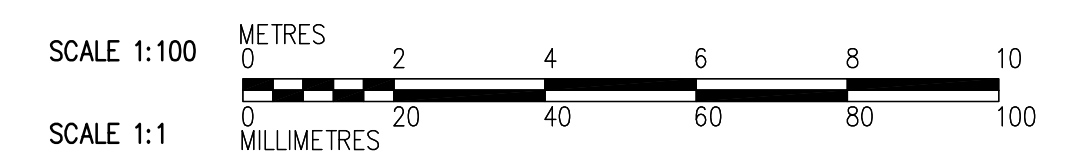
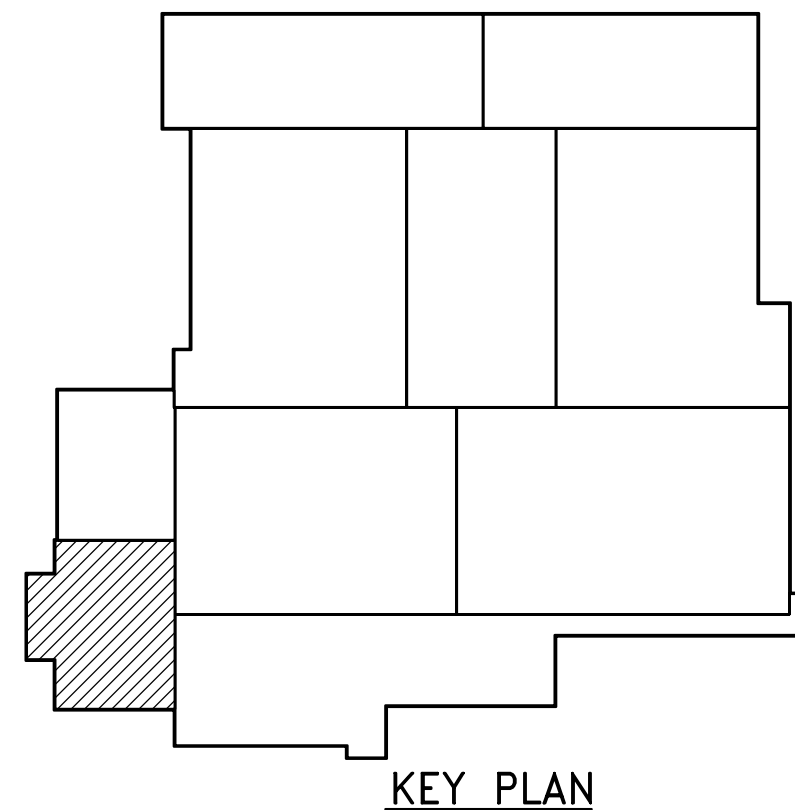


- NOTES:**
- FOR CORNER REINF SEE WB-S0442
 - DESIGN LIVE LOAD IS 14.4 kPa
 - FOR BEAM SCHEDULE SEE DWG WI-S0515.
 - DISCONTINUE REBAR AT PRECAST PANEL OPENINGS, SEE WB-S0441
 - MASONRY SUPPORT AROUND EXTERIOR SEE WB-S0448
- NOT IN CONTRACT



NOTE:
AFTER PANEL INSTALLATION, EYE BOLTS SHALL BE REMOVED AND REPLACED W/ A PLASTIC PLUG. REMOVED BOLTS SHALL BE GIVEN TO OWNER.



 Certificate of Authorization CH2M Hill Canada Limited (ON) No. 1441 Expiry: April 30, 2006	 Frederickson Cooper ARCHITECTS	 A Tyco International Ltd. Company	ENGINEER'S SEAL 	 THE CITY OF WINNIPEG WATER AND WASTE DEPARTMENT ENGINEERING DIVISION WATER TREATMENT PLANT FOUNDATIONS AND CONCRETE STRUCTURES 1 STRUCTURAL RAW WATER PUMP STATION AREA FIRST FLOOR PLAN	CITY FILE NUMBER													
	<table border="1"> <tr> <td>DESIGNED BY</td> <td>EL</td> <td>CHECKED BY</td> <td>AP</td> </tr> <tr> <td>DRAWN BY</td> <td>RL</td> <td>APPROVED BY</td> <td></td> </tr> <tr> <td>SCALE:</td> <td>1:100</td> <td>RELEASED FOR CONSTRUCTION BY:</td> <td></td> </tr> <tr> <td>DATE</td> <td>2005/07/06</td> <td>DATE</td> <td></td> </tr> </table>	DESIGNED BY	EL		CHECKED BY	AP	DRAWN BY	RL	APPROVED BY		SCALE:	1:100	RELEASED FOR CONSTRUCTION BY:		DATE	2005/07/06	DATE	
DESIGNED BY	EL	CHECKED BY	AP															
DRAWN BY	RL	APPROVED BY																
SCALE:	1:100	RELEASED FOR CONSTRUCTION BY:																
DATE	2005/07/06	DATE																