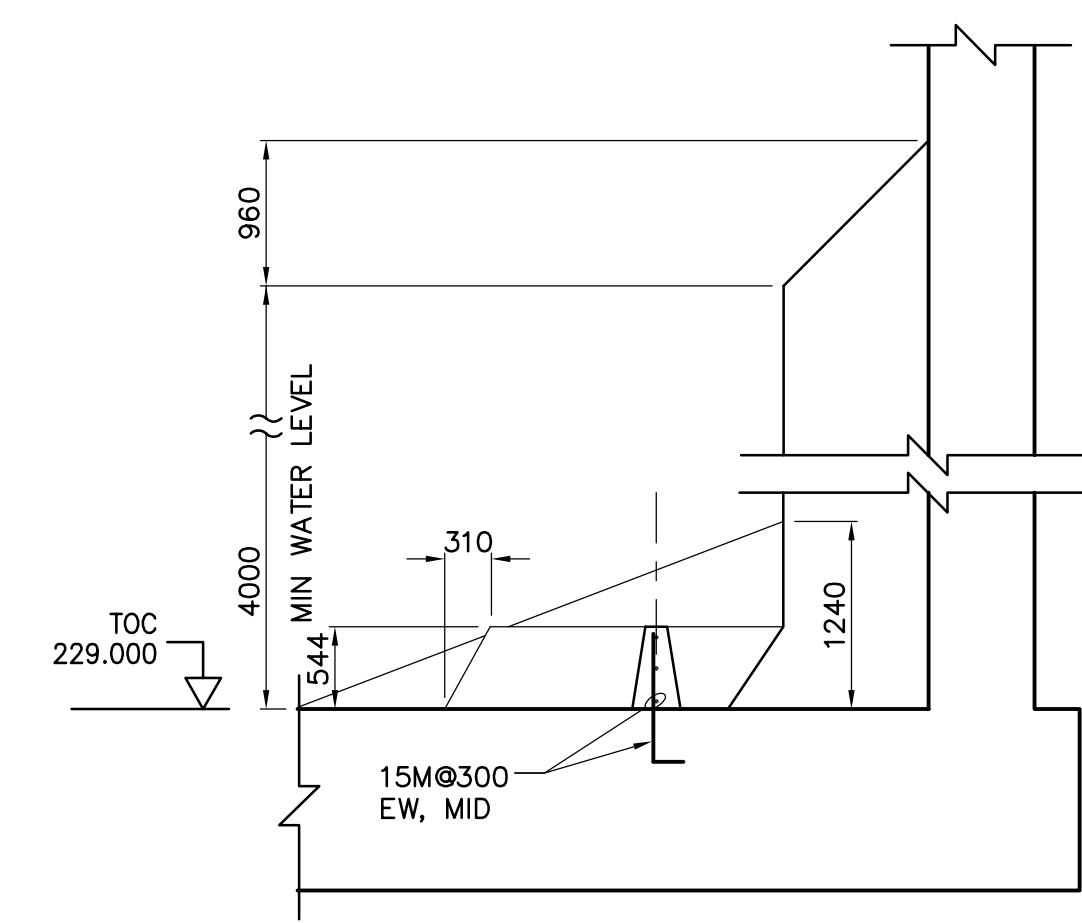
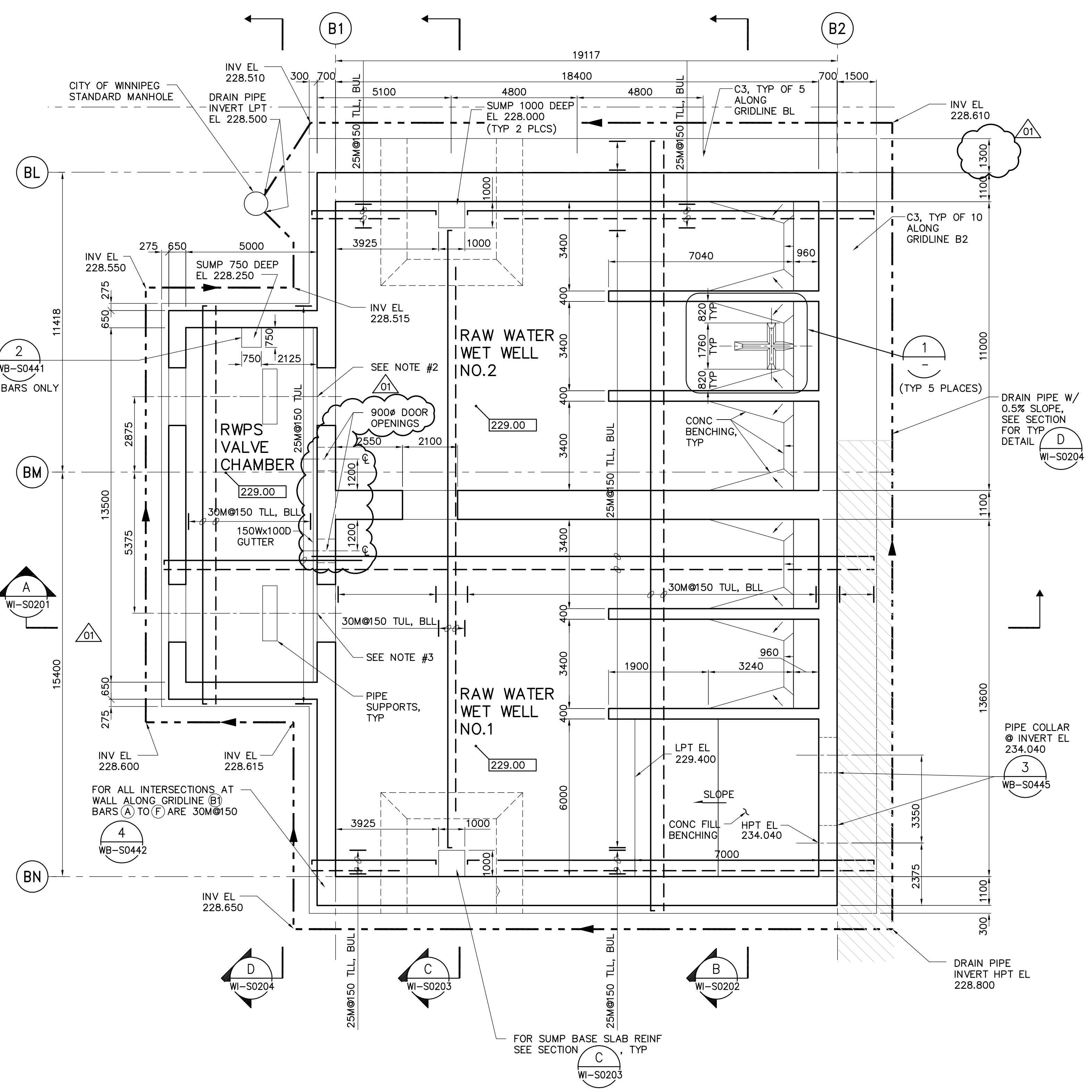


1 DETAIL
1:50



A SECTION
1:50

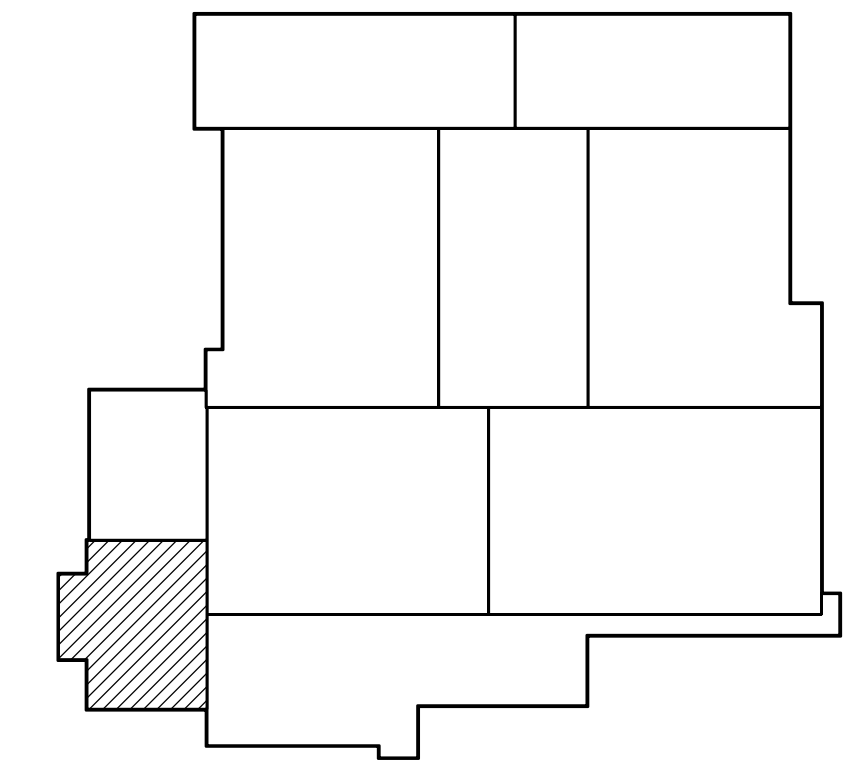


LOWER LEVEL PLAN
1:100

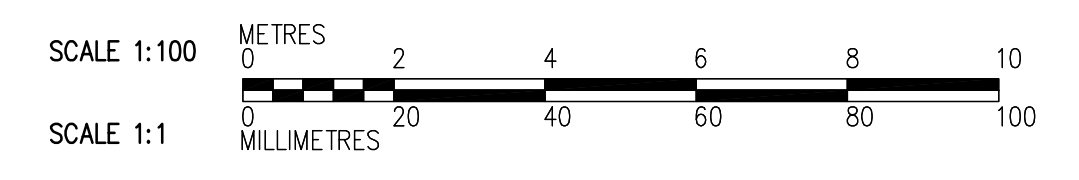
- NOTES:**
- FOR CORNER REINF SEE WB-S0442
 - CENTERLINE OF PIPE OPNG:
NORTHING: 5524036.069
EASTING: 647835.819
 - CENTERLINE OF PIPE OPNG:
NORTHING: 5524029.071
EASTING: 647831.455
 - REFER TO DRAWING WI-0515 FOR COLUMN SCHEDULE.



- REBARS LEGEND:**
- TOP BARS
 - BOTTOM BARS
 - DRAIN PIPE CENTERLINE



KEY PLAN



 Certificate of Authorization CH2M Hill Canada Limited (ON) No. 1441 Expiry: April 30, 2006	B.M. ELEV.	 Frederickson Cooper ARCHITECTS	ENGINEER'S SEAL	 THE CITY OF WINNIPEG WATER AND WASTE DEPARTMENT ENGINEERING DIVISION WATER TREATMENT PLANT FOUNDATIONS AND CONCRETE STRUCTURES 1 STRUCTURAL RAW WATER PUMP STATION AREA LOWER LEVEL PLAN	CITY FILE NUMBER
	DESIGNED BY: EL CHECKED BY: AP	 EarthTech A Tyco International Ltd. Company	APPROVED BY:		SHEET OF
	DRAWN BY: RL SCALE: 1:100	RELEASED FOR CONSTRUCTION BY:	CONSULTANT DRAWING NO. WI-S0101		CITY DRAWING NUMBER 1-0601-A-80101-001-01D
	NO. REVISIONS DATE BY	DATE	DATE		DATE