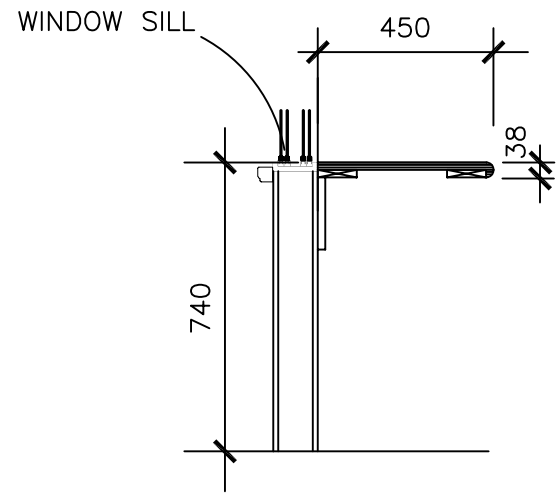
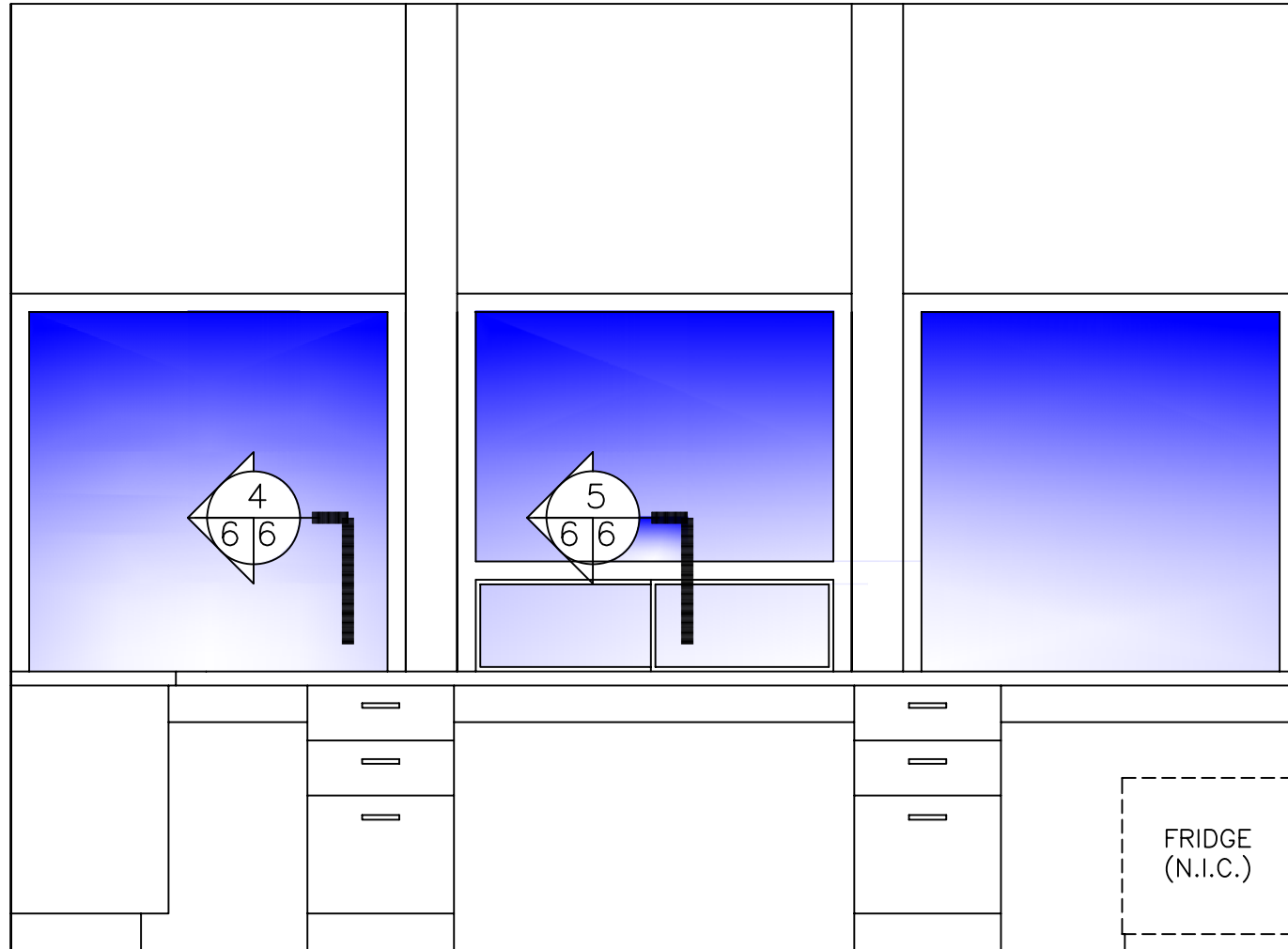


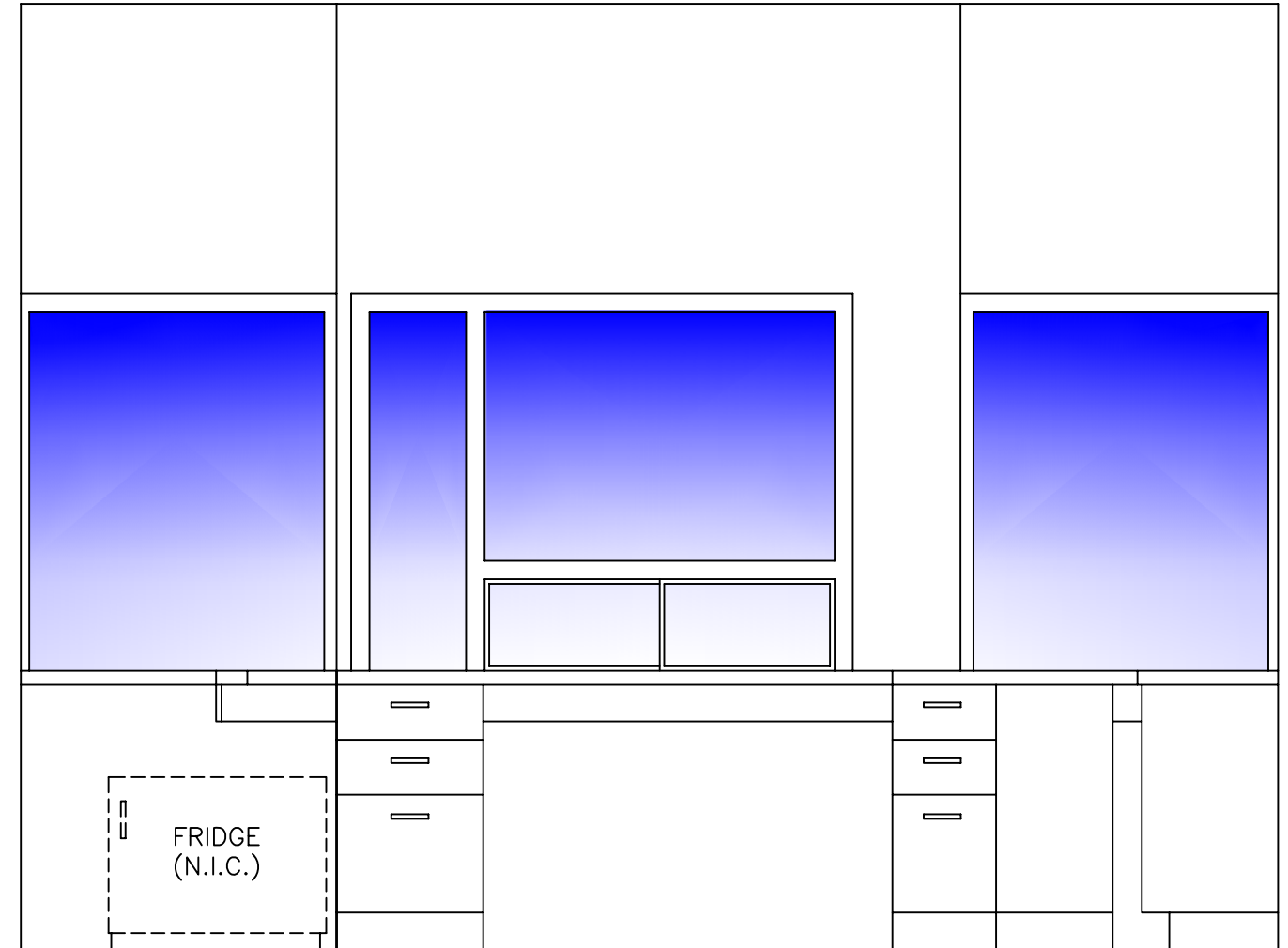
SECTION 4  
SCALE 1:20



SECTION 5  
SCALE 1:20



ELEVATION 1  
SCALE 1:20



ELEVATION 2  
SCALE 1:20

