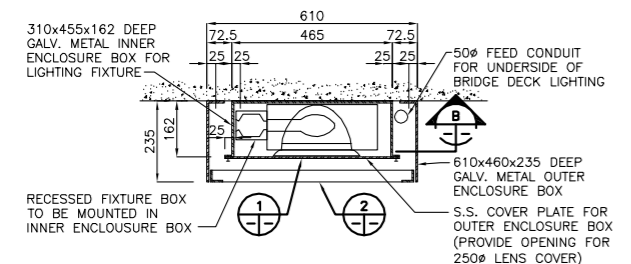
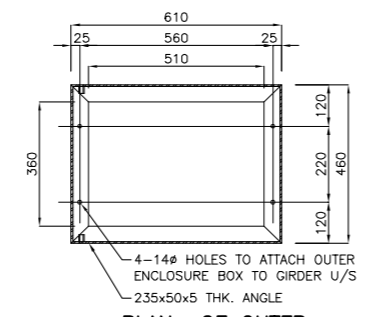


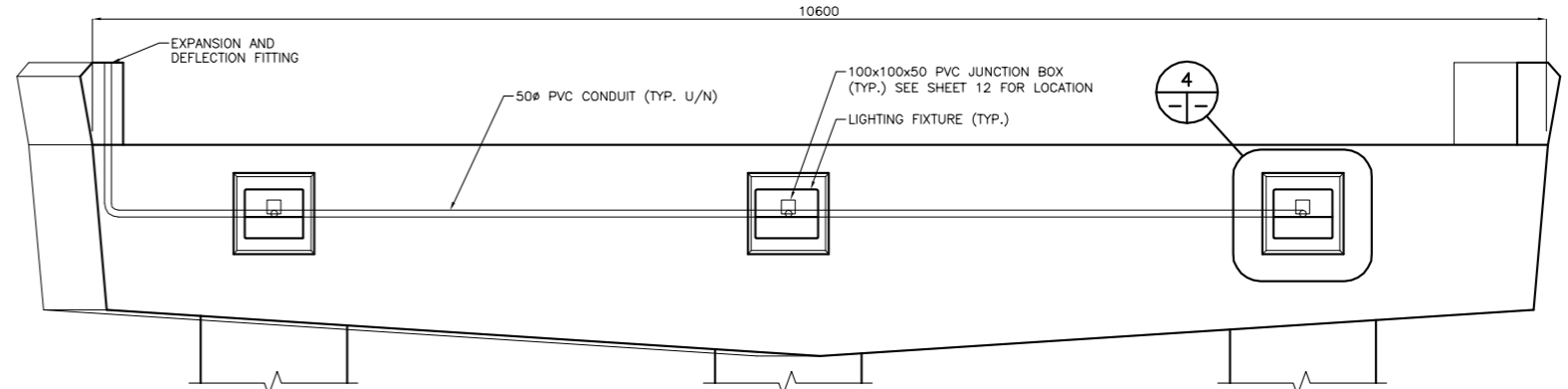
LIGHTING LAYOUT
1:125



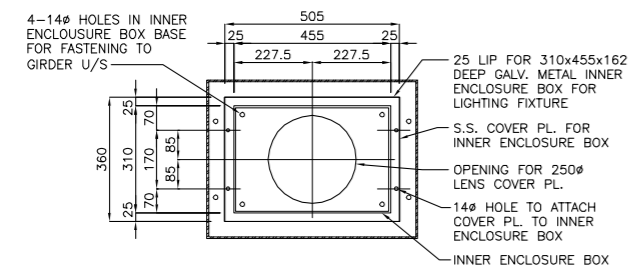
SECTION OF DECK MOUNTED LIGHT FIXTURE
1:10



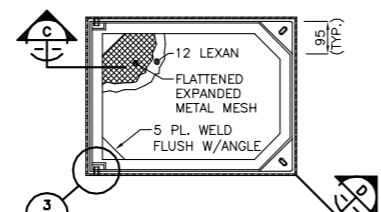
PLAN OF OUTER ENCLOSURE BOX
1:10



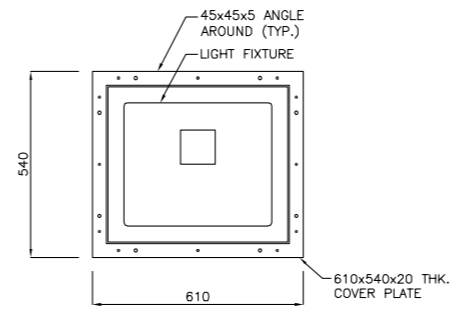
TYPICAL ELEVATION
1:25



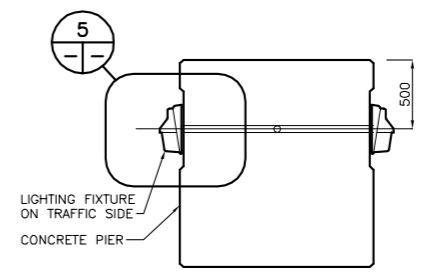
DETAIL OF INNER ENCLOSURE BOX AND COVER PLATE
1:10



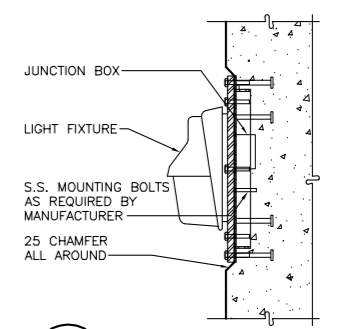
DETAIL
1:10



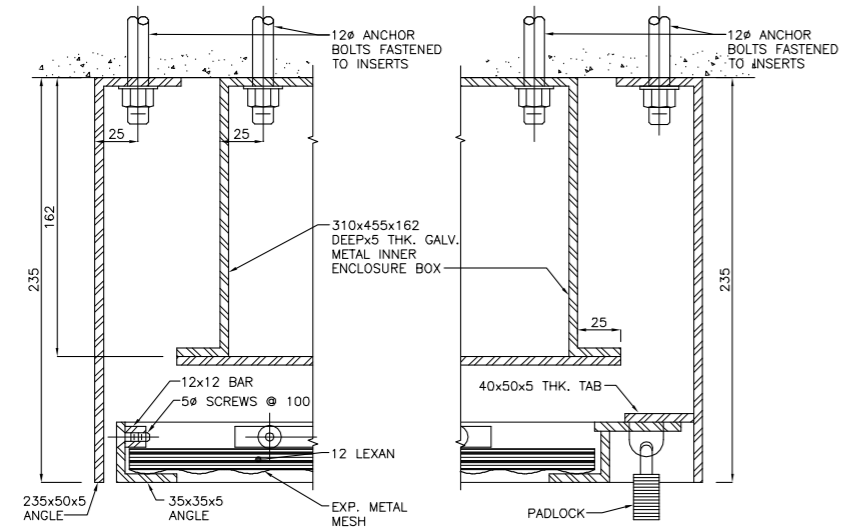
DETAIL
1:10



SECTION
1:25

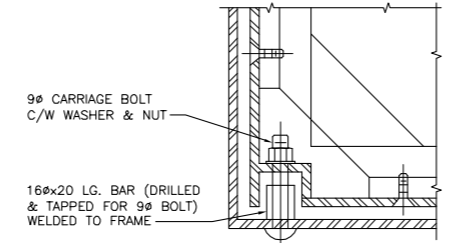


DETAIL
1:10



SECTION
1:2

SECTION
1:2



DETAIL
1:2

LOCATION APPROVED UNDERGROUND STRUCTURES SUPV. U/G STRUCTURES COMMITTEE DATE: _____		B.M. ELEV. _____		Stantec Consulting Ltd. 905 Waverley Street, Winnipeg, Manitoba Tel 204-489-5900 Fax 204-453-9012		ENGINEER'S SEAL ORIGINAL SEALED BY D.W. DOWHAN P. ENGS. 05.10.26		THE CITY OF WINNIPEG PUBLIC WORKS DEPARTMENT ENGINEERING DIVISION	
NOTE: LOCATION OF UNDERGROUND STRUCTURES AS SHOWN ARE BASED ON THE BEST INFORMATION AVAILABLE BUT NO GUARANTEE IS GIVEN THAT ALL EXISTING UTILITIES ARE SHOWN OR THAT THE GIVEN LOCATIONS ARE EXACT. CONTRIBUTION OF EXISTENCE AND EXACT LOCATION OF ALL SERVICES MUST BE OBTAINED FROM THE INDIVIDUAL UTILITIES BEFORE PROCEEDING WITH CONSTRUCTION.		DESIGNED BY: DWD DRAWN BY: JMB CHECKED BY: GWM APPROVED BY: DWD AUTHORIZED BY: R. FINGAS, P. ENG. BRIDGE PROJECTS ENGINEER DATE: 05.09.07		DATE: 05.11.22 DWD DATE: 05.10.26 DWD		CONSULTANT DRAWING NO. I13703042-E02		KENASTON UNDERPASS KENASTON BLVD. / CN RIVERS SUB. MILE 5.18 RAILWAY BRIDGE CONSTRUCTION	
						SHEET 21 OF 21 CAD FILE DRAWING NUMBER KU-21-664.dwg		CITY DRAWING NUMBER P-3258-145	
						ELECTRICAL DECK & PIER MOUNTED LIGHTING DETAILS		SHEET NUMBER P-3258-145	