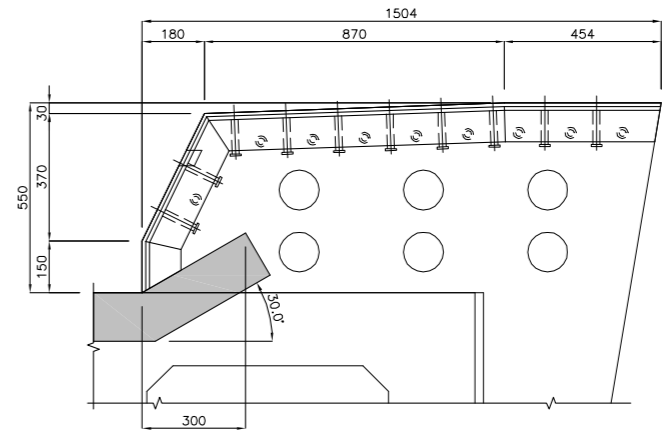
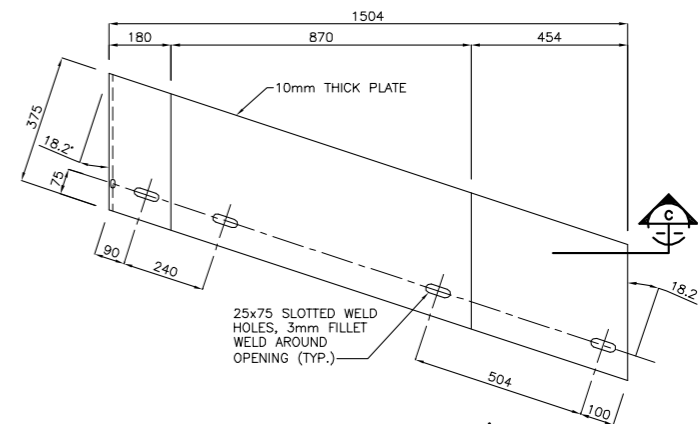


NOTE:  
PIER JOINTS SHOWN,  
ABUTMENT JOINTS SIMILAR

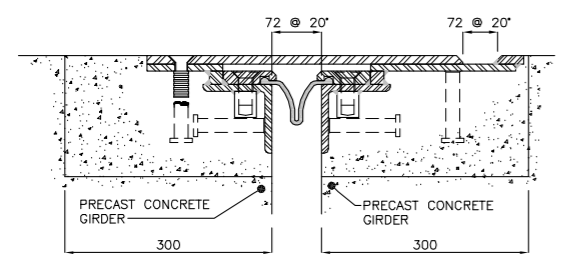
ELEVATION  
ELEVATION OF JOINT  
1:25



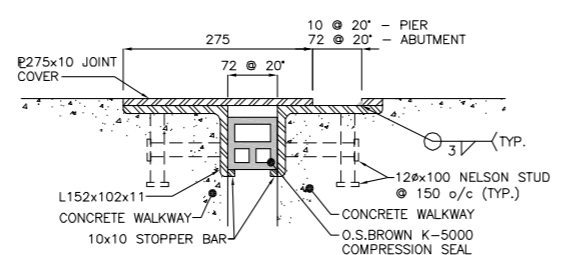
1  
1:10



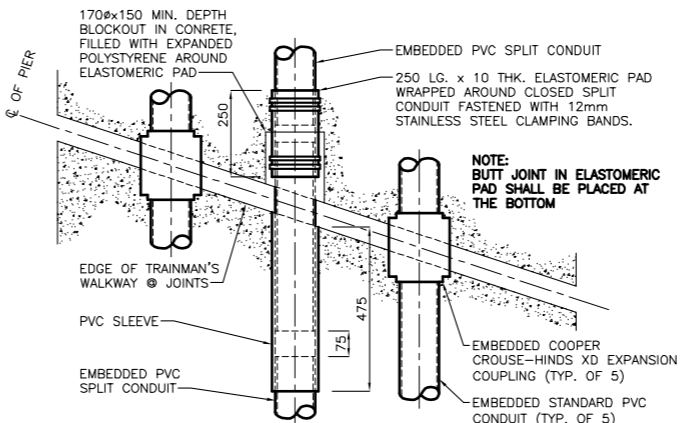
JOINT COVER PLATE  
1:10



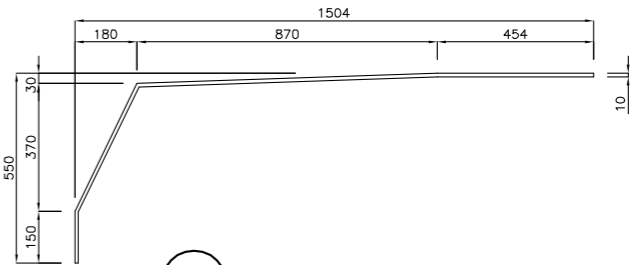
B  
TYPICAL PIER JOINT DETAIL  
1:5



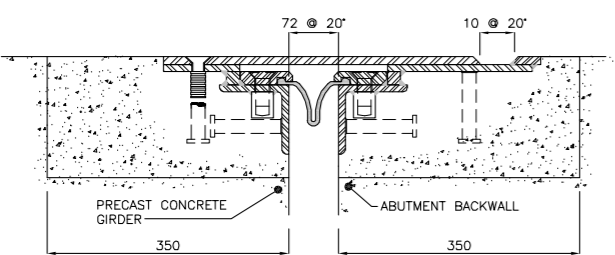
A  
TYPICAL JOINT DETAIL AT TRAINMAN'S WALKWAY  
1:5



2  
DETAIL OF CONDUITS EMBEDDED IN TRAINMAN'S WALKWAY (TOP CONDUITS SHOWN)  
1:10



C  
SECTION  
1:10



B  
TYPICAL ABUTMENT JOINT DETAIL  
1:5

**METRIC**  
WHOLE NUMBERS INDICATE MILLIMETRES  
DECIMALIZED NUMBERS INDICATE METRES

**APEGM**  
Certificate of Authorization  
Stantec Consulting Ltd.  
No. 1301 Expiry: April 30, 2006

LOCATION APPROVED UNDERGROUND STRUCTURES

SUPV. U/G STRUCTURES COMMITTEE	DATE

NOTE:  
LOCATION OF UNDERGROUND STRUCTURES AS SHOWN ARE BASED ON THE BEST INFORMATION AVAILABLE BUT NO GUARANTEE IS GIVEN THAT ALL EXISTING UTILITIES ARE SHOWN OR THAT THE GIVEN LOCATIONS ARE EXACT. CONTRIBUTION OF EXISTENCE AND EXACT LOCATION OF ALL SERVICES MUST BE OBTAINED FROM THE INDIVIDUAL UTILITIES BEFORE PROCEEDING WITH CONSTRUCTION.

B.M. ELEV.

NO.	REVISIONS	DATE	BY

**Stantec Consulting Ltd.**  
905 Waverley Street, Winnipeg, Manitoba  
Tel 204-489-5900 Fax 204-453-9012

DESIGNED BY: KSA	CHECKED BY: GWM
DRAWN BY: JMB	APPROVED BY: MJB
AUTHORIZED BY: R. FINGAS, P. ENG.	DATE: 05.10.26

HOR. SCALE: AS SHOWN  
VERTICAL: AS SHOWN  
DATE: 05.09.08

ENGINEER'S SEAL

ORIGINAL SEALED BY  
M.J. BOISSONNEAULT  
P. ENG.  
05.10.26

CONSULTANT DRAWING NO.  
**I13703042-S16**

**THE CITY OF WINNIPEG**  
PUBLIC WORKS DEPARTMENT  
ENGINEERING DIVISION

**Winnipeg**

**KENASTON UNDERPASS**  
KENASTON BLVD. / CN RIVERS SUB. MILE 5.18  
RAILWAY BRIDGE CONSTRUCTION

CONCRETE JOINT DETAILS

SHEET **18** OF **21**  
CAD FILE DRAWING NUMBER  
KU-18-664.dwg  
CITY DRAWING NUMBER  
**P-3258-142**