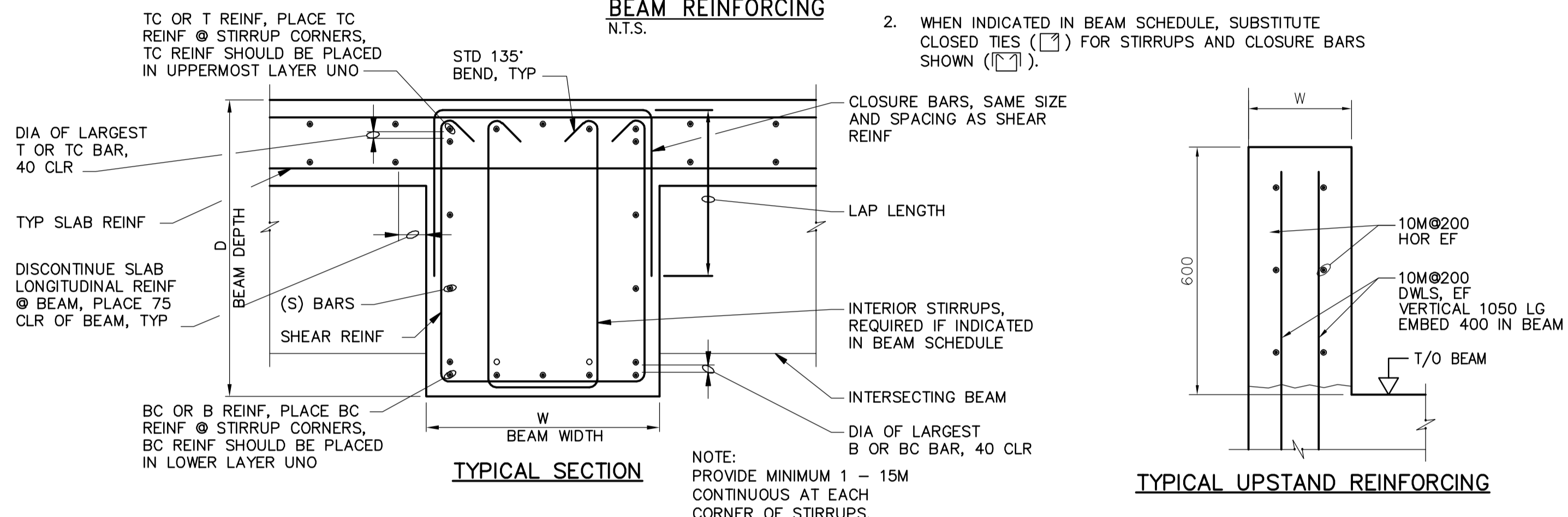


**NOTES:**

- PLACE TOP (T & TC) AND BOTTOM (B & BC) BARS IN MULTIPLE ROWS ONLY WHERE INDICATED IN SCHEDULE.
- WHEN INDICATED IN BEAM SCHEDULE, SUBSTITUTE CLOSED TIES (□) FOR STIRRUPS AND CLOSURE BARS SHOWN (⊠).

**BEAM REINFORCING**  
N.T.S.



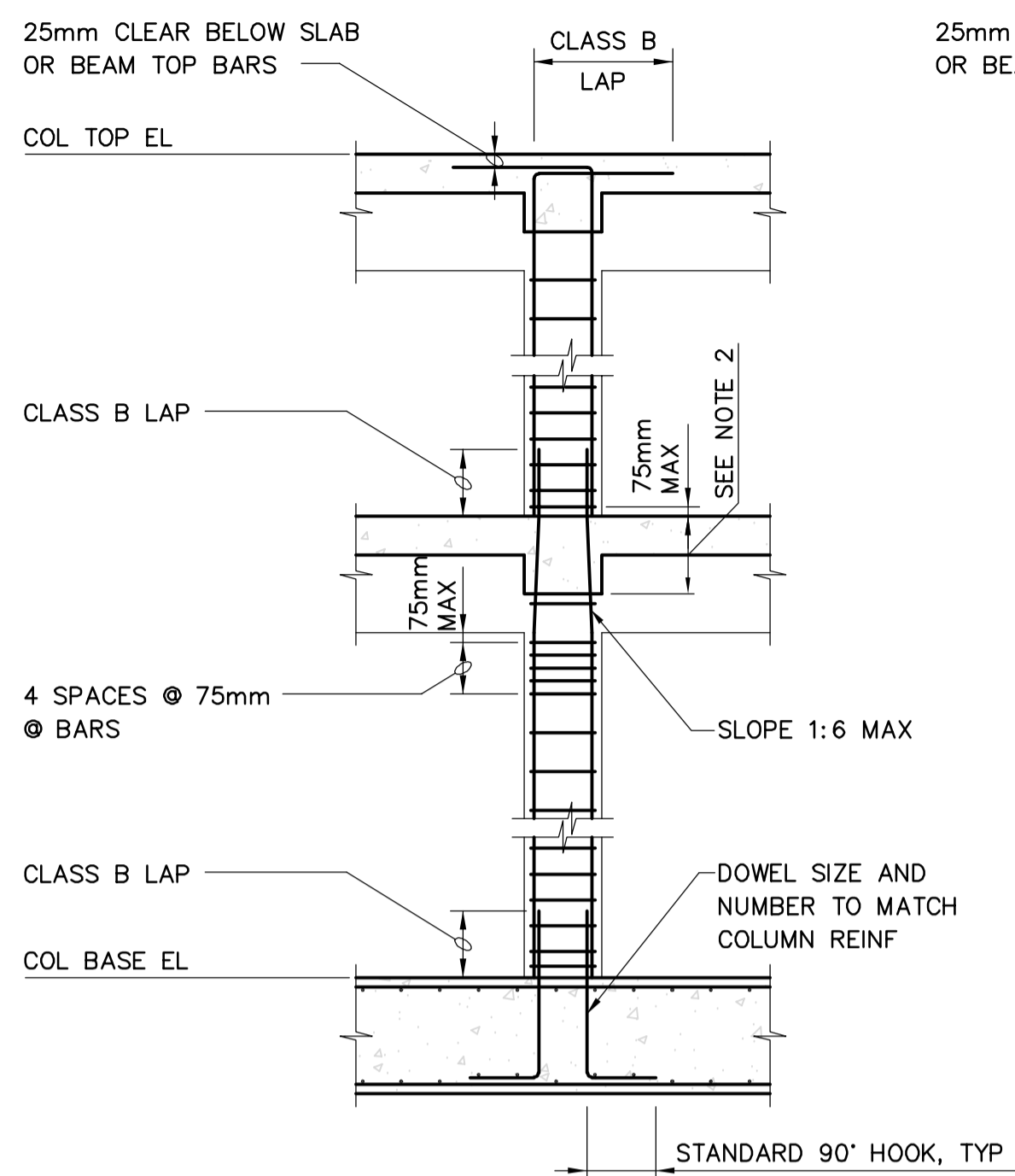
NOTE: PROVIDE MINIMUM 1 - 15M CONTINUOUS AT EACH CORNER OF STIRRUPS.

BEAM NO. (SEE PLANS)	SIZE		TOP REINF AT LEFT SUPPORT		BOTTOM REINF		* TOP REINF AT RIGHT SUPPORT		S BARS	SHEAR REINF (MM)		REMARKS
	W	D	T	TC	B	BC	T	TC		NO. SIZE	SPACING FROM LEFT SUPPORT	
BM1	600	500	-	4-25M	-	4-25M	-	4-25M	-	2-10M	200	NOTE 4
BM2	500	500	-	3-30M	-	3-30M	-	3-30M	-	10M	200	NOTES 4 & 5
BM3	750	1400	-	4-35M	-	16-35M	-	4-35M	6-15M	2-15M	300	-
BM4	750	1400	-	6-30M	-	4-30M	-	6-30M	6-15M	2-15M	200	-
BM5	750	1400	-	8-30M	-	8-30M	-	8-30M	6-30M	2-15M	150	-
BM6	750	1400	6-35M	8-35M	-	12-35M	6-35M	8-35M	6-20M	2-15M	200	-
BM7	750	1400	-	14-35M	-	12-35M	-	14-35M	6-20M	2-15M	200	-
BM8	500	700	-	4-25M	-	4-25M	-	4-25M	2-15M	2-15M	200	-
BM9	500	750	4-30M	6-30M	-	8-30M	4-30M	6-30M	-	2-10M	200	UPSTAND 250 W X 600 H NEAR BH
BM10	500	750	4-30M	6-30M	-	4-30M	4-30M	6-30M	-	2-10M	300	UPSTAND 250 W X 600 H NEAR BH
BM11	500	750	-	6-30M	-	4-25M	-	6-30M	-	2-10M	300	UPSTAND 250 W X 600 H NEAR BD
BM12	500	750	-	4-30M	-	4-30M	-	4-30M	2-15M	2-10M	200	UPDSTAND 250 W X 600 H NEAR B3 & B10
BM13	500	750	-	6-30M	-	4-25M	-	6-30M	-	2-10M	300	UPSTAND 250 W X 600 H NEAR BD & BH
BM14	400	1800	-	3-25M	-	3-30M	-	3-25M	4-15M	10M	200	NOTES 6 & 7
BM15	400	1800	-	3-25M	-	3-30M	-	3-25M	4-15M	10M	200	NOTE 6
BM16	400	900	-	3-25M	-	3-30M	-	3-25M	4-15M	10M	200	-
BM17	400	800	-	6-30M	-	6-30M	-	6-30M	2-15M	10M	200	-
BM18	300	600	-	4-30M	-	4-30M	-	4-30M	2-15M	10M	200	-
BM19	400	900	-	9-30M	-	6-30M	-	9-30M	2-15M	10M	200	-

**NOTES:**

- \* TOP REINFORCING MAY BE CALLED-OUT TWICE IN SCHEDULE. (I.E. "TOP REINFORCING AT RIGHT SUPPORT" OF BEAM THAT IS CONTINUOUS OVER THE RIGHT SUPPORT IS CALLED-OUT AS "TOP REINFORCING AT LEFT SUPPORT" OF ADJACENT BEAM.)
- LEFT SUPPORT IS DESIGNATED AS THE SUPPORT CLOSEST TO THE LEFT SIDE OR BOTTOM OF SHEET ON WHICH FRAMING PLAN IS DRAWN, UNLESS NOTED OTHERWISE ON PLAN.
- FOR CONCRETE BEAM END DETAIL, SEE 3 / WB-S0451
- EXTEND T&B BARS 1800mm PAST FURTHEST FACE OF OPENING. HOOK @ DISCONTINUOUS ENDS.
- COORDINATE AND ADJUST "D" BASED ON APPROVED SLUICE GATE SHOP DRAWINGS @ INFLUENT CHANNEL.
- HOOK DISCONTINUOUS ENDS OF S-BARS. SEE 4/S0452.
- EXTEND TOP BARS INTO SLAB 1800mm AT NORTH END.

**BEAM SCHEDULE**  
N.T.S.



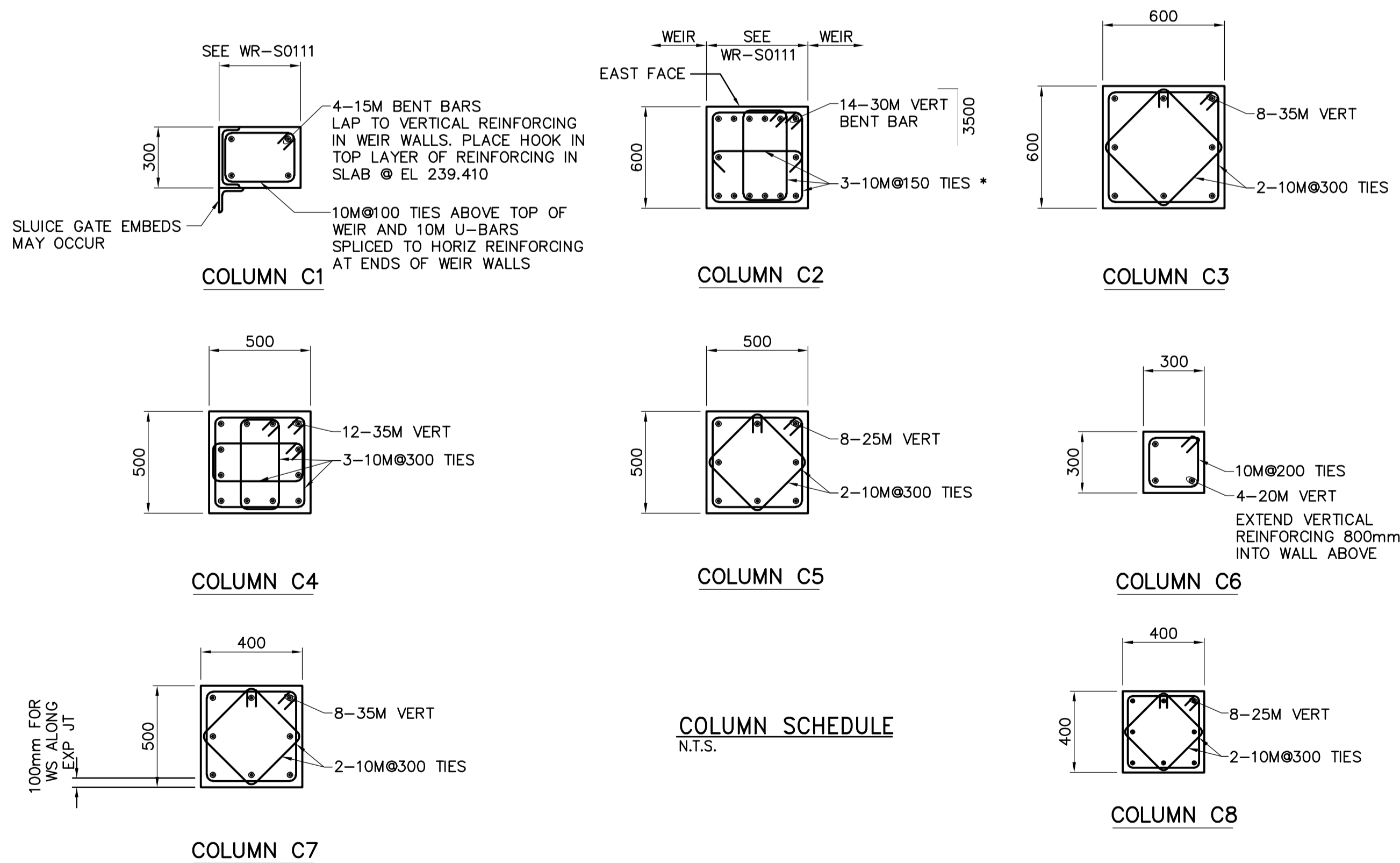
**NON-CONTINUOUS END**

**NOTE:**

- FOR DIMENSIONS AND REINFORCEMENT SEE COLUMN SCHEDULE.
- CONTINUE TIES AT SPACING NOTED THROUGH BEAM CONNECTION ZONE WHERE CONCRETE BEAMS DO NOT FRAME INTO COLUMN ON ALL FOUR SIDES

**COLUMN REINFORCING**  
N.T.S.

\* AT WEIR OPENING- MAINTAIN MIN COVER OVER TIES PER DETAIL 5/WB-S0451, OFFSET HORIZ WALL REINFORCING TO INSIDE OF PIER REINFORCING



**COLUMN SCHEDULE**  
N.T.S.

<p>Certificate of Authorization CH2M HILL Canada Ltd. No. 1441 Expiry: April 30, 2006</p>	<p>Frederickson Cooper ARCHITECTS</p>	<p>A Veolia International Ltd. Company</p>	ENGINEER'S SEAL	<p>THE CITY OF WINNIPEG WATER AND WASTE DEPARTMENT ENGINEERING DIVISION</p>	<p>WATER TREATMENT PLANT RESIDUALS HANDLING FOUNDATIONS AND CONCRETE STRUCTURES</p>	<p>STRUCTURAL RESIDUALS HANDLING AREA COLUMN AND BEAM SCHEDULES</p>	CITY FILE NUMBER		
			DESIGNED BY MFC				CHECKED BY AP	ORIGINAL SIGNED BY D. KRUGER	SHEET OF
			DRAWN BY RRL				APPROVED BY DJT	2006/02/06	CITY DRAWING NUMBER
			SCALE: NTS				RELEASED FOR CONSTRUCTION BY: R. SOROKOWSKI	CONSULTANT DRAWING NO. WR-S0515	1-060R-D-S0515-001-00D
00 ISSUED FOR TENDER	2006/02/03 MFC								
NO. REVISIONS	DATE	BY	DATE	DATE	DATE				
			2005/09/23	2006/02/08					