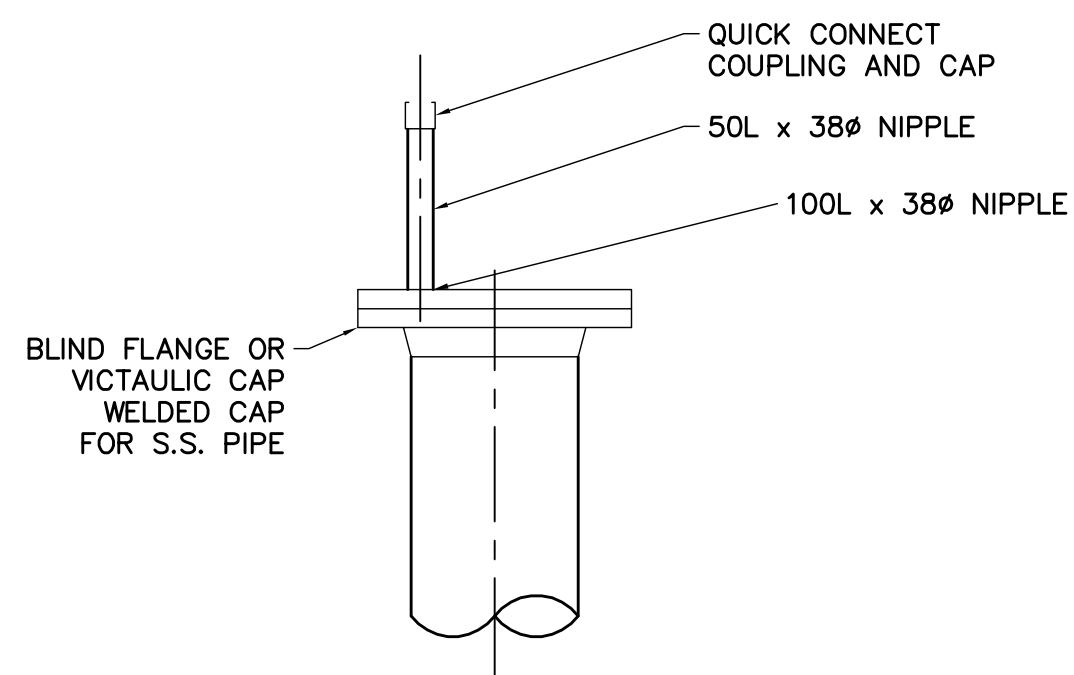
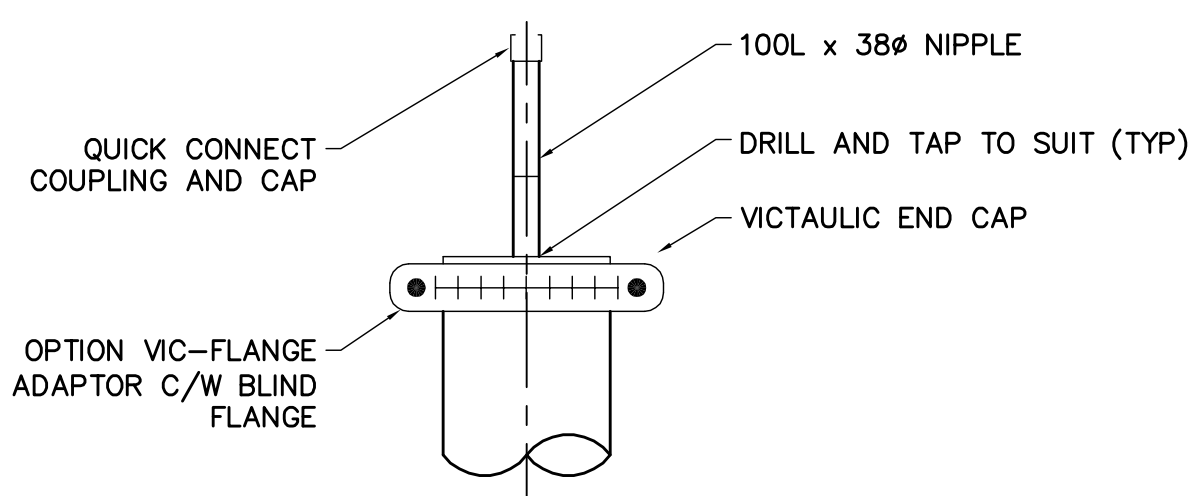


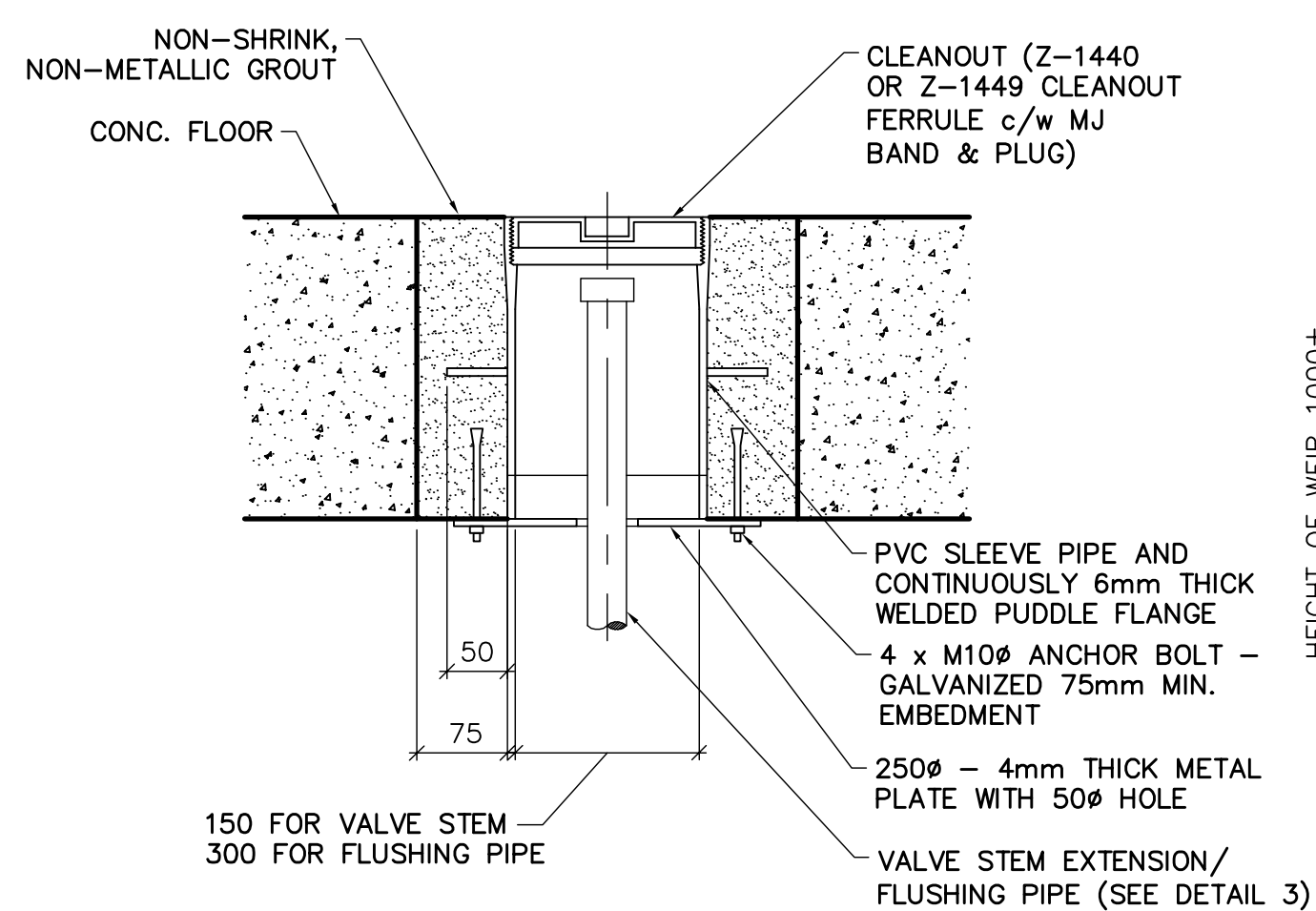
A SECTION
WR-M0101 1:50



FLUSHING CONNECTION "WELDED"

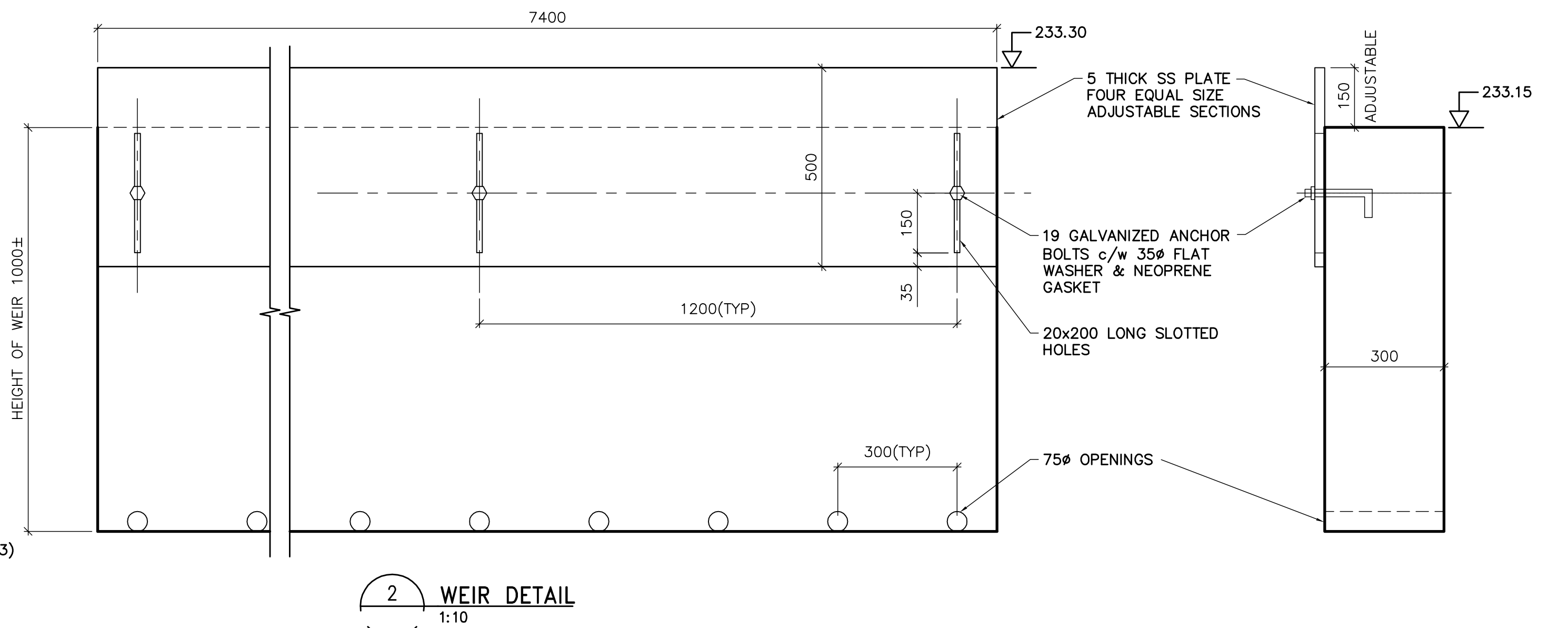


3 FLUSHING CONNECTION
NTS



1 SERVICE BOX DETAIL
NTS

NOTE
VALVE STEM AND FLUSHING PIPE
SUPPLIED BY OTHERS



2 WEIR DETAIL
1:10

<p>Certificate of Authorization Earth Tech Canada Inc. No. 730 Expiry: April 30, 2006</p>	B.M. ELEV.	<p>Frederickson Cooper ARCHITECTS</p>	<p>A Tyco International Ltd. Company</p>	ENGINEER'S SEAL	<p>THE CITY OF WINNIPEG WATER AND WASTE DEPARTMENT ENGINEERING DIVISION</p>		
				DESIGNED BY: SM		CHECKED BY: SRB	ORIGINAL SIGNED BY: S.R. BILEVICIUS
				DRAWN BY: JBC		APPROVED BY: DJT	2006/02/07
				SCALE: AS NOTED		RELEASED FOR CONSTRUCTION BY: R. SOROKOWSKI	CONSULTANT DRAWING NO. WR-M9201
	00 ISSUED FOR TENDER 06/02/03 JBC	DATE: 2005/09/60	DATE: 2006/02/07		<p>WATER TREATMENT PLANT RESIDUALS HANDLING FOUNDATIONS AND CONCRETE STRUCTURES</p> <p>PIPE EMBEDS SECTIONS</p>		
					<p>CITY FILE NUMBER</p> <p>SHEET OF</p> <p>CITY DRAWING NUMBER</p> <p>1-0601R-A-M9201-01-000</p>		