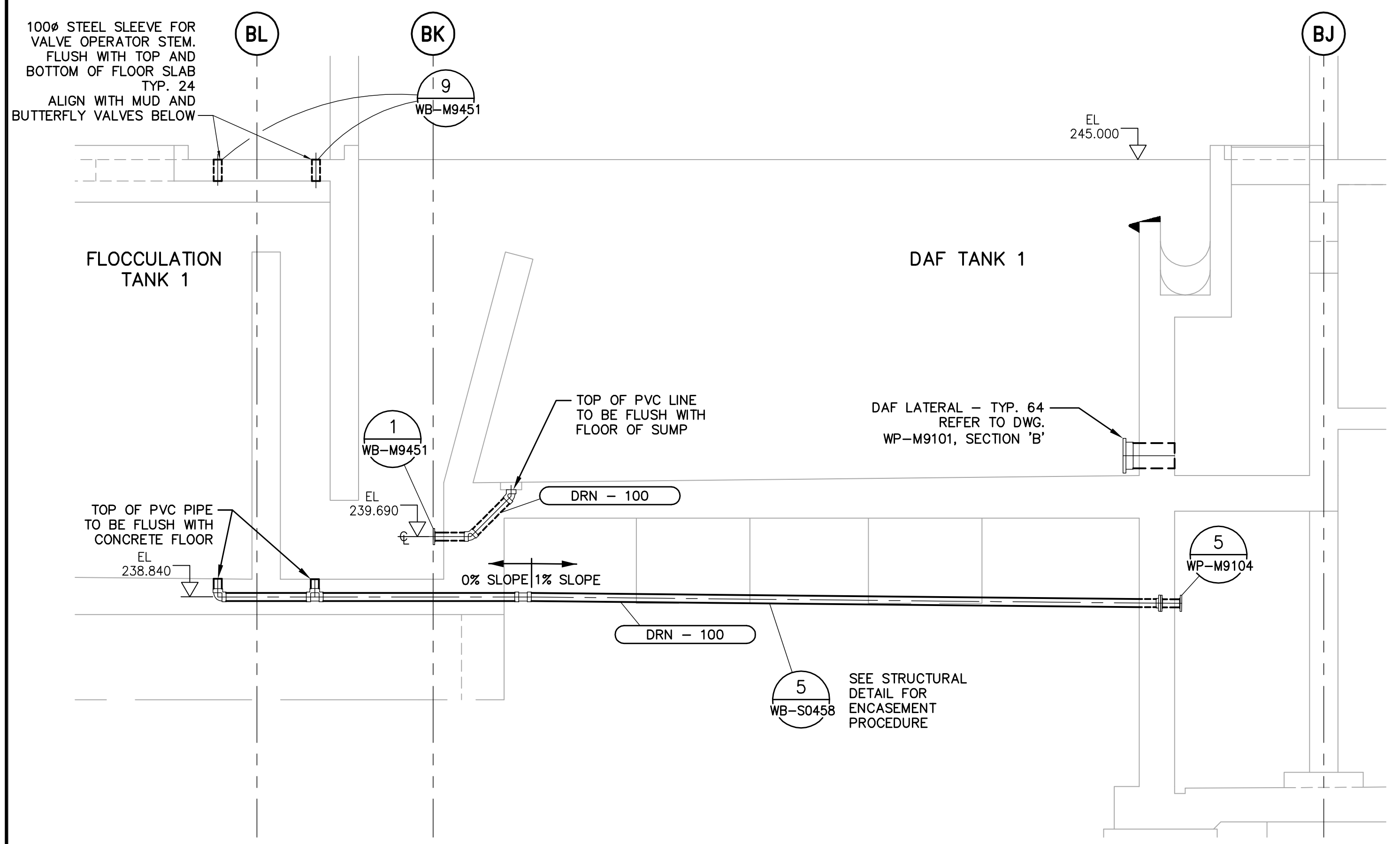
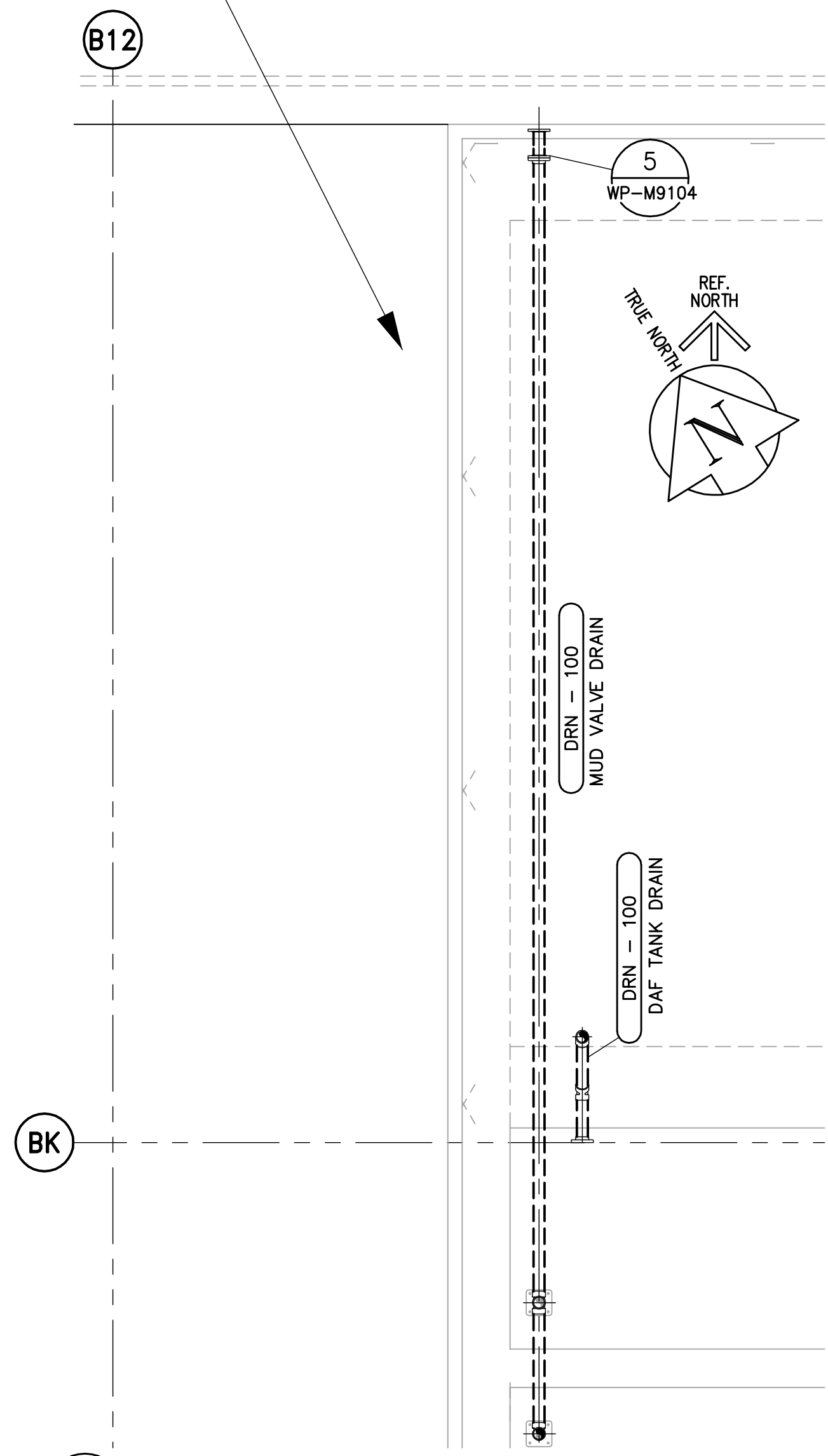


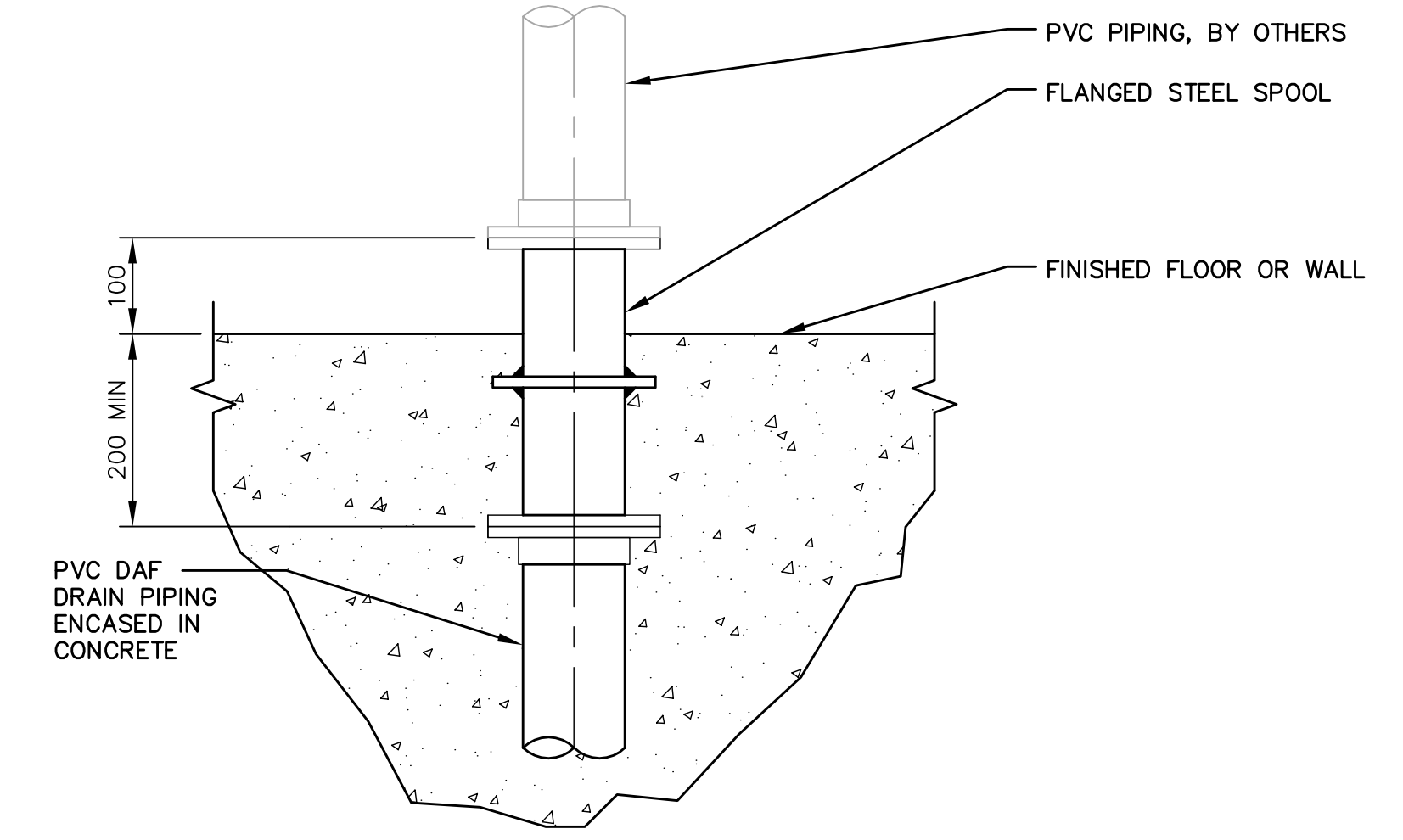
19 SECOND FLOOR PLAN - MUD VALVE DRAIN LINES
WP-M9104 1:150



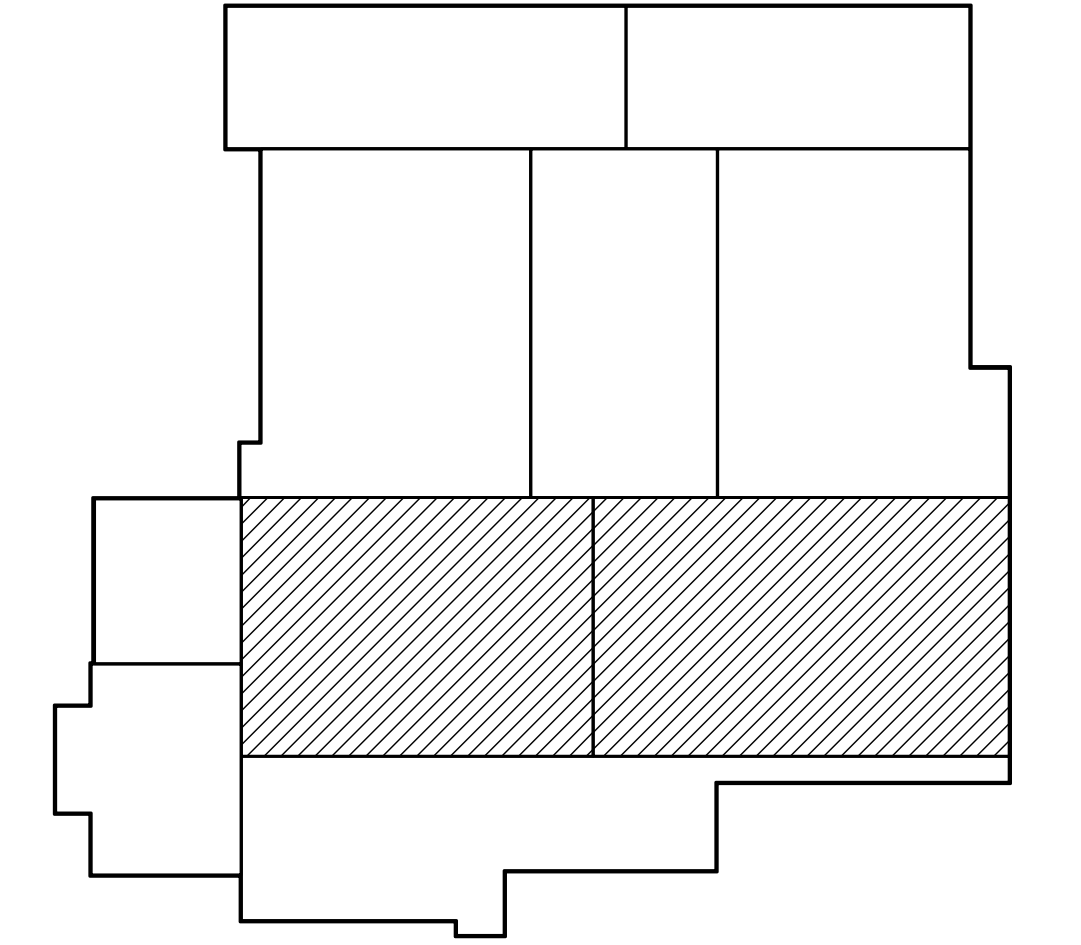
L SECTION - MUD VALVE DRAIN LINES
WP-M9104 1:50



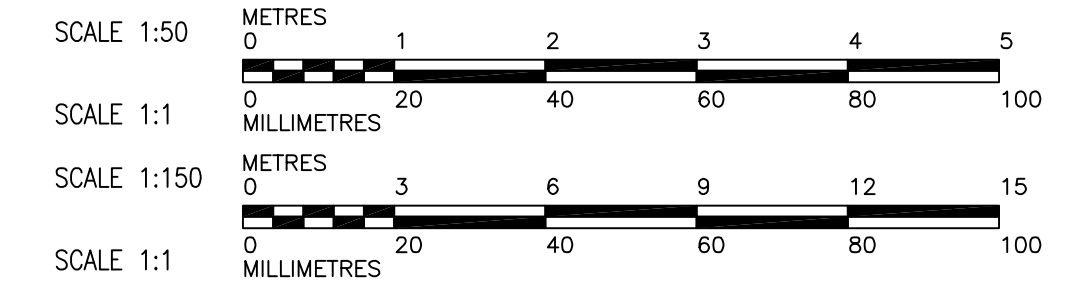
20 SECOND FLOOR PLAN - MUD VALVE DRAIN LINES
WP-M9104 1:50



5 DETAIL - DAF DRAIN FLOOR/WALL PENETRATION
WP-M9104 NTS



KEY PLAN



100# STEEL SLEEVE FOR VALVE OPERATOR STEM. FLUSH WITH TOP AND BOTTOM OF FLOOR SLAB TYP. 24. ALIGN WITH MUD AND BUTTERFLY VALVES BELOW.

FLOCCULATION TANK 1

DAF TANK 1

TOP OF PVC LINE TO BE FLUSH WITH FLOOR OF SUMP

DAF LATERAL - TYP. 64. REFER TO DWG. WP-M9101, SECTION 'B'

TOP OF PVC PIPE TO BE FLUSH WITH CONCRETE FLOOR

EL 238.840

EL 239.690

0% SLOPE 1% SLOPE

DRN - 100

DRN - 100

SEE STRUCTURAL DETAIL FOR ENCASEMENT PROCEDURE

WB-S0458

<p>Certificate of Authorization Earth Tech Canada Inc. No. 730 Expiry: April 30, 2006</p>		<p>Frederickson Cooper ARCHITECTS</p>		<p>A Tyco International Ltd. Company</p>	
DESIGNED BY	KAS	CHECKED BY	SRB	ENGINEER'S SEAL	
DRAWN BY	PL	APPROVED BY	DJT	ORIGINAL SIGNED BY	
SCALE:	AS SHOWN	RELEASED FOR CONSTRUCTION BY:	R. SOROKOWSKI	S.R. BILEVICIUS	
NO.	ISSUED FOR TENDER	DATE	BY	2006/02/07	
00	ISSUED FOR TENDER	06/02/03	PL	CONSULTANT DRAWING NO.	
NO.	REVISIONS	DATE	BY	WP-M9104	
		2005/10/24			
		2006/02/07			

THE CITY OF WINNIPEG
WATER AND WASTE DEPARTMENT
ENGINEERING DIVISION

WATER TREATMENT PLANT
FLOCCULATION AND DAF
FOUNDATIONS AND CONCRETE STRUCTURES

PIPE EMBEDS
SECOND FLOOR PLAN
MUD VALVE DRAIN LINES

CITY FILE NUMBER

SHEET OF

CITY DRAWING NUMBER
1-0601P-A-M9104-001-000