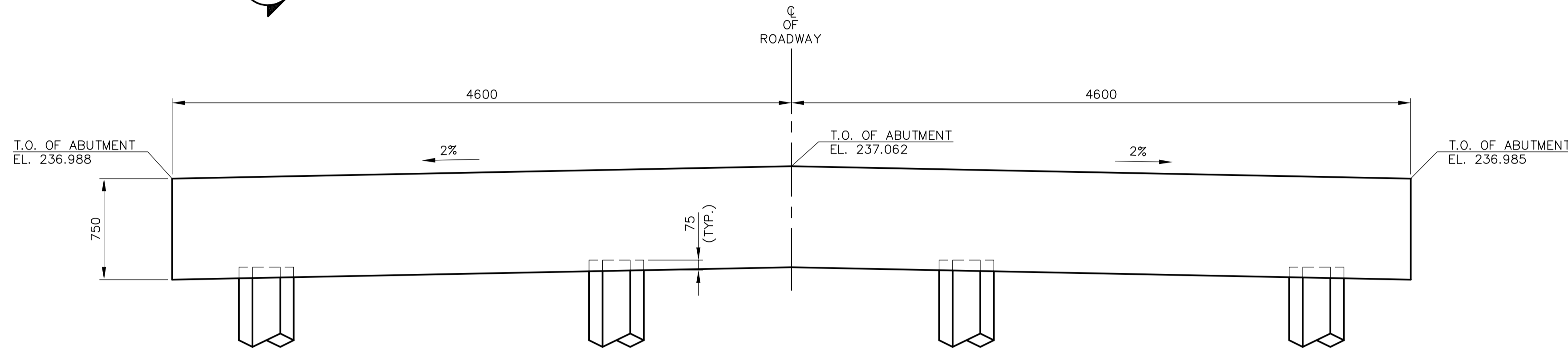
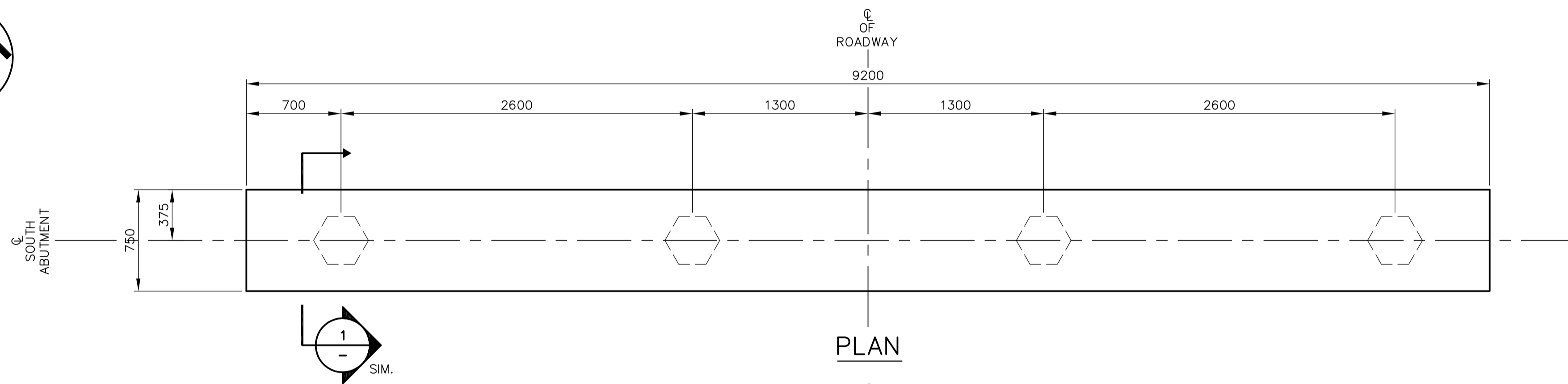


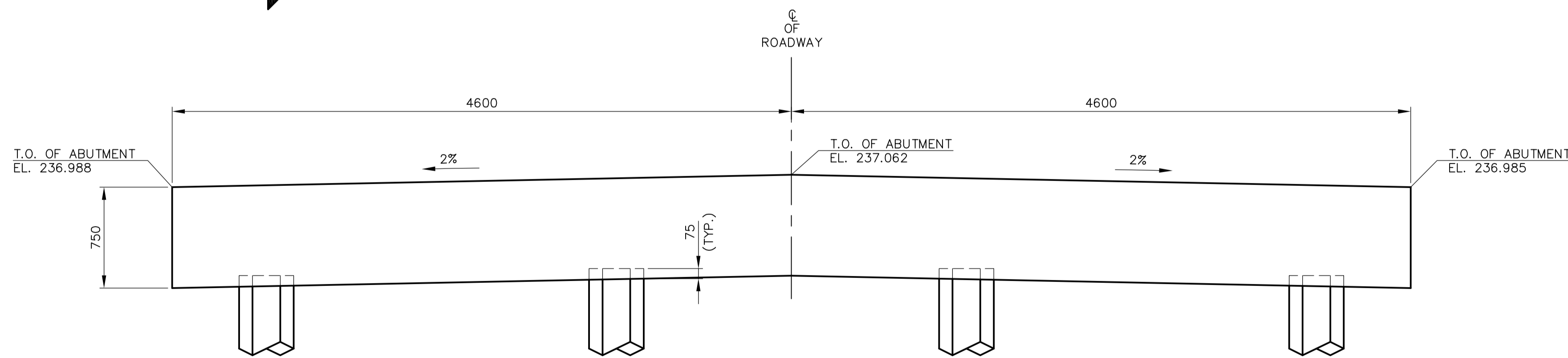
PLAN



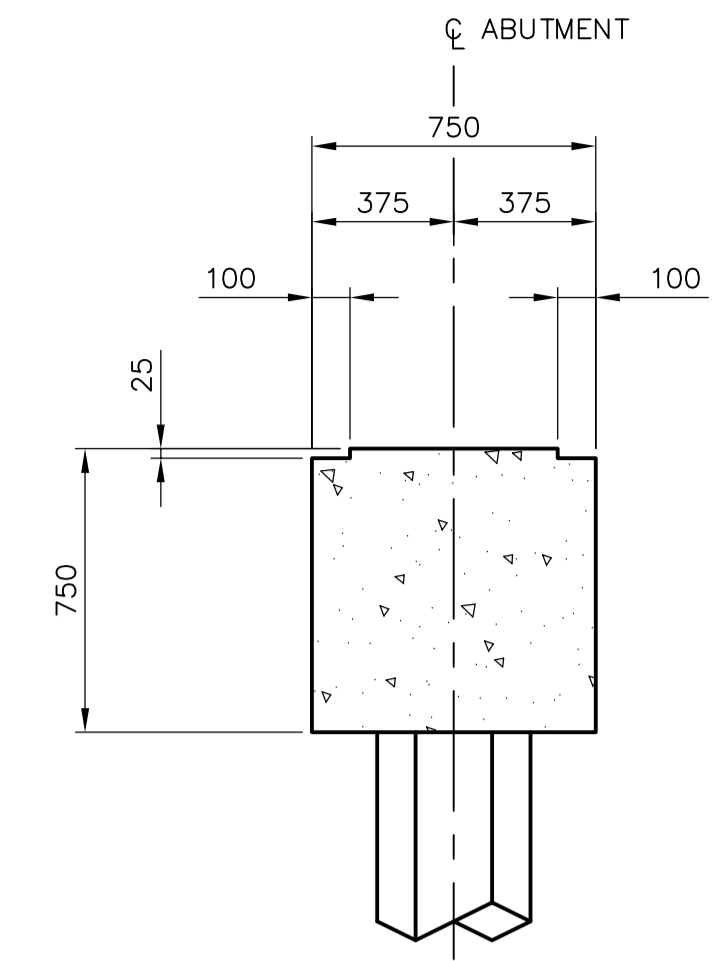
ELEVATION
NORTH ABUTMENT
SCALE 1:25



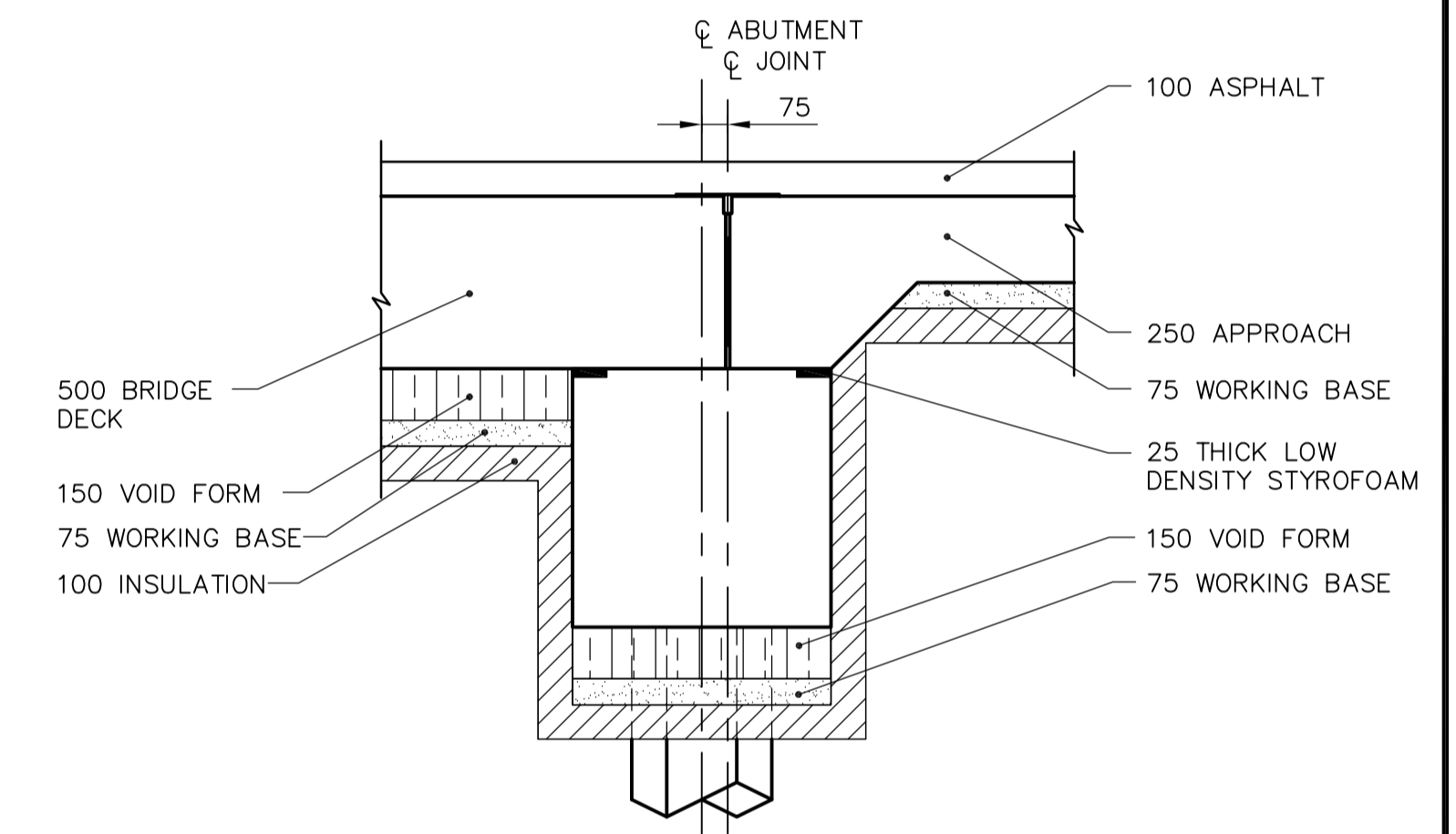
PLAN



ELEVATION
SOUTH ABUTMENT
SCALE 1:25



1 SECTION
SCALE 1:20



A DETAIL
SCALE 1:20

NOTE:
EACH PILE SHALL HAVE A MINIMUM (UNFACTORED) FLEXURAL CAPACITY OF 100 kN.m.

APEGM
Certificate of Authorization
Earth Tech Canada Inc.
No. 730 Expiry: April 30, 2006

NO.	REVISIONS	DATE	BY	DATE
00	ISSUED FOR TENDER	06/02/03	KC	

DESIGNED BY	AP	CHECKED BY	EBL
DRAWN BY	KC	APPROVED BY	D.J. TANIGUCHI
SCALE:	AS NOTED	RELEASED FOR CONSTRUCTION BY:	R. SOROKOWSKI

ENGINEER'S SEAL
PROVINCE OF MANITOBA
ORIGINAL SIGNED BY
E.B. LOEWEN
Member 8325
06/02/06
REGISTERED PROFESSIONAL ENGINEER

THE CITY OF WINNIPEG
WATER AND WASTE DEPARTMENT
ENGINEERING DIVISION

WATER TREATMENT PLANT
AQUEDUCT BRIDGES
FOUNDATIONS & CONCRETE STRUCTURES

STRUCTURAL
EASTERN BRIDGE
ABUTMENT CONCRETE DETAILS

CITY FILE NUMBER
SHEET 3 OF 8
CITY DRAWING NUMBER
I-0601N-A-S0490-001-00D

CONSULTANT DRAWING NO.
WN-S0490