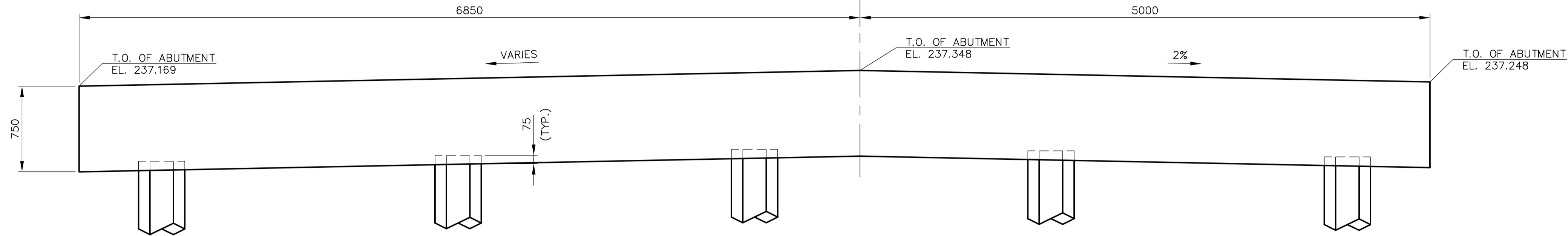
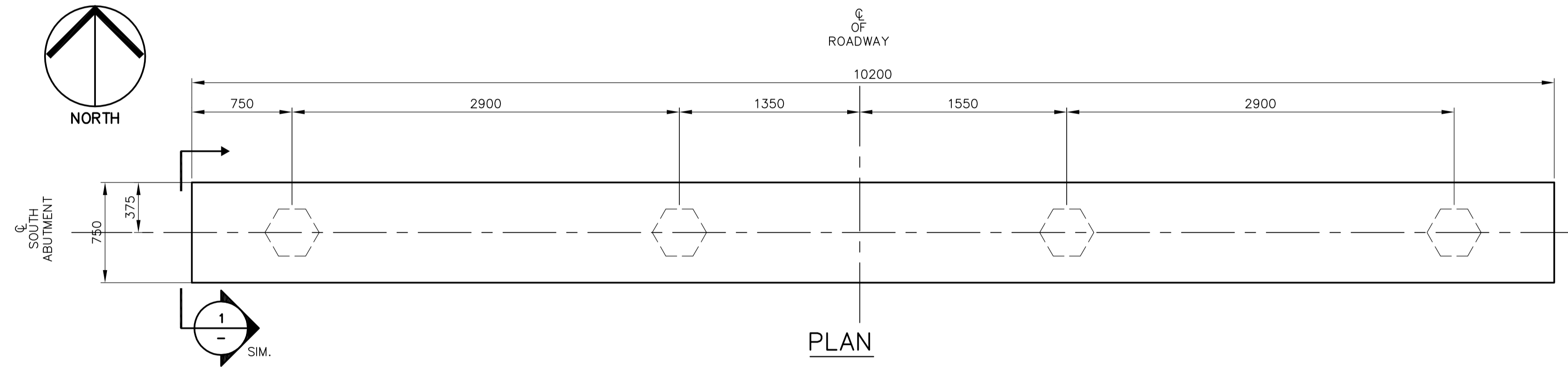


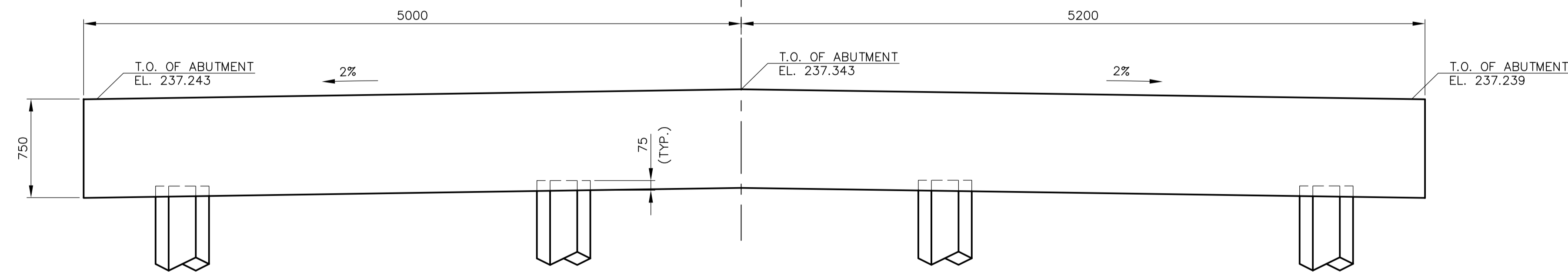
PLAN



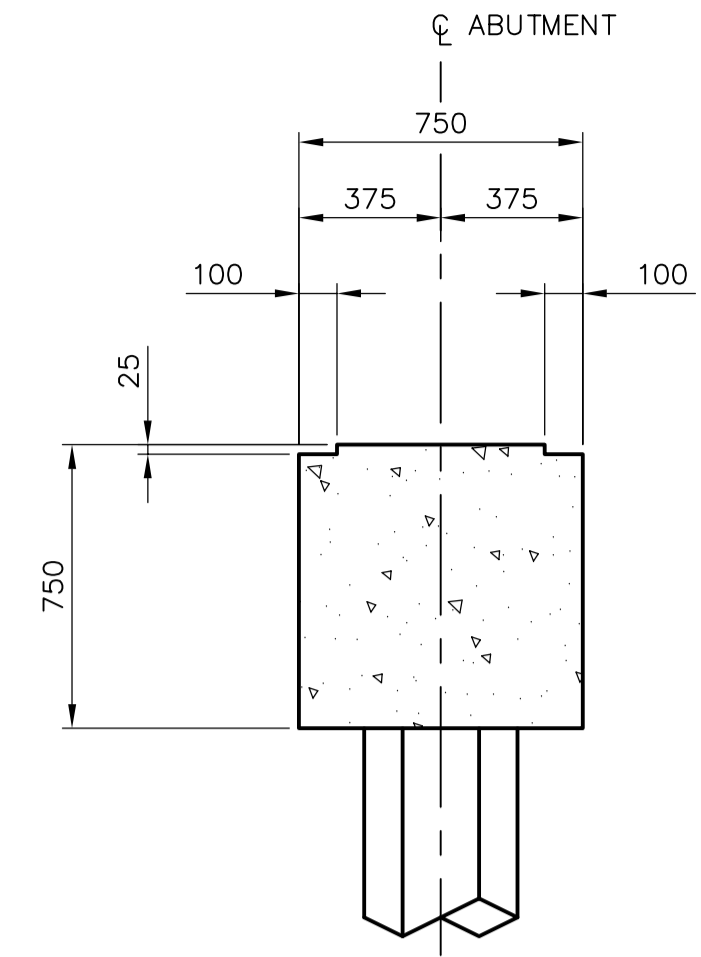
ELEVATION
NORTH ABUTMENT
SCALE 1:25



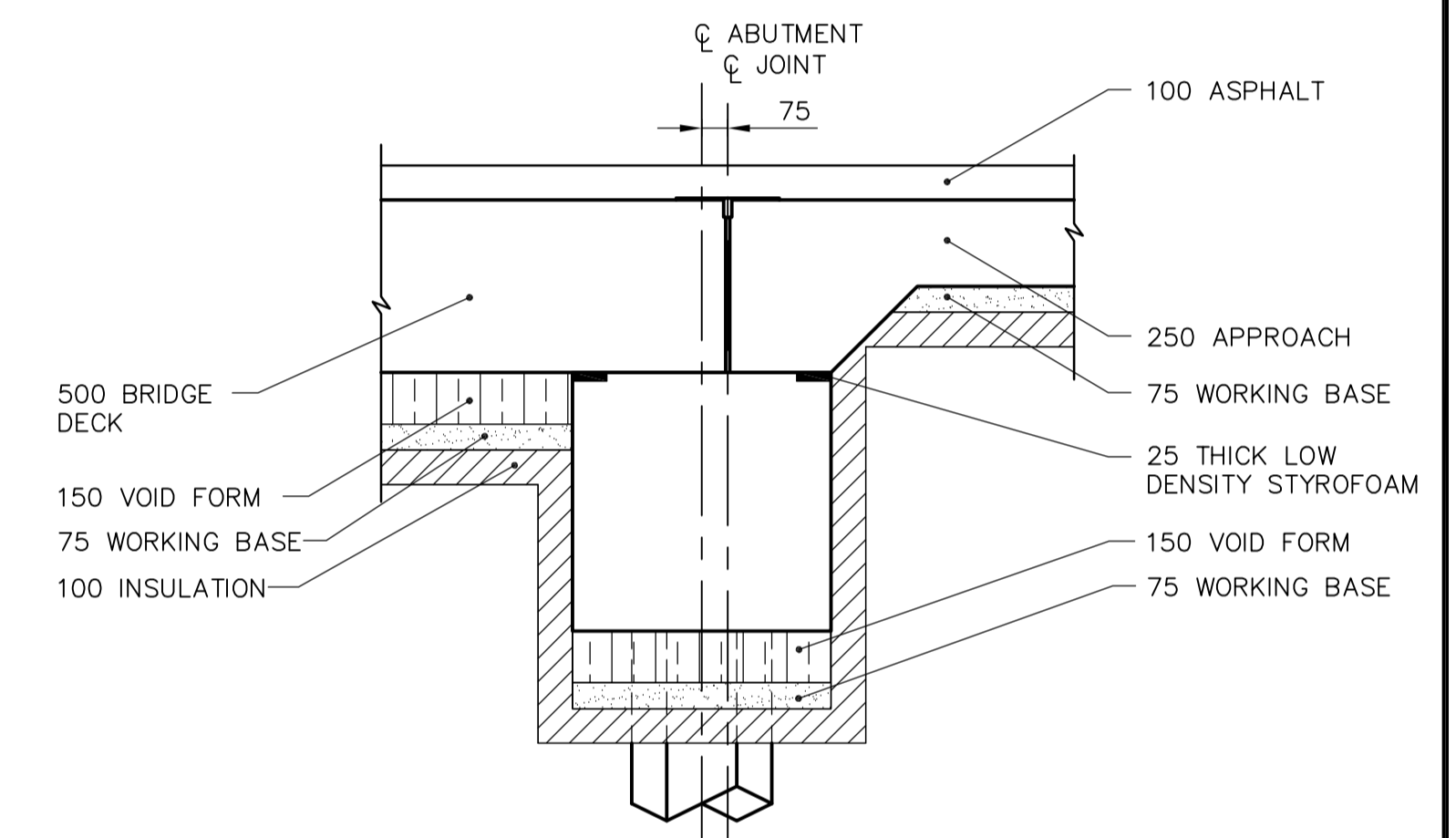
PLAN



ELEVATION
SOUTH ABUTMENT
SCALE 1:25



1 SECTION
SCALE 1:20



A DETAIL
SCALE 1:20

NOTE:
EACH PILE SHALL HAVE A MINIMUM (UNFACTORED) FLEXURAL CAPACITY OF 100 kN.m.

<p>Certificate of Authorization Earth Tech Canada Inc. No. 730 Expiry: April 30, 2006</p>	<p>Frederickson Cooper ARCHITECTS</p>	<p>A Tyco International Ltd. Company</p>		<p>DESIGNED BY AP CHECKED BY EBL</p>			<p>WATER TREATMENT PLANT AQUEDUCT BRIDGES FOUNDATIONS & CONCRETE STRUCTURES</p>	<p>CITY FILE NUMBER</p>		
				<p>DRAWN BY KC APPROVED BY D.J. TANIGUCHI</p>					<p>CONSULTANT DRAWING NO. WN-S0480</p>	<p>SHEET 2 OF 7</p>
				<p>SCALE: AS NOTED RELEASED FOR CONSTRUCTION BY: R. SOROKOWSKI</p>						
<p>00 ISSUED FOR TENDER 06/02/03 KC</p>		<p>NO. REVISIONS DATE BY DATE</p>								