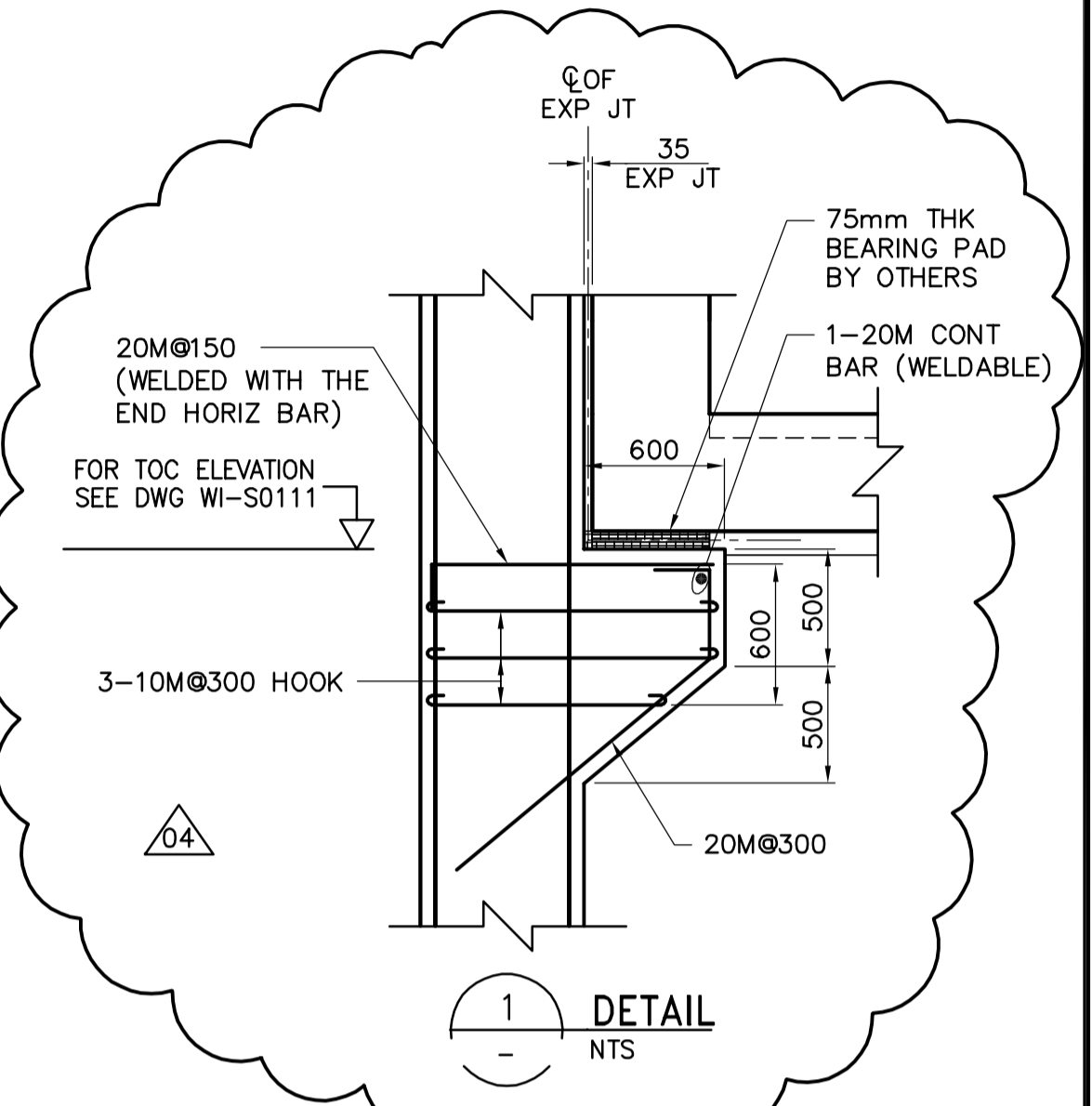
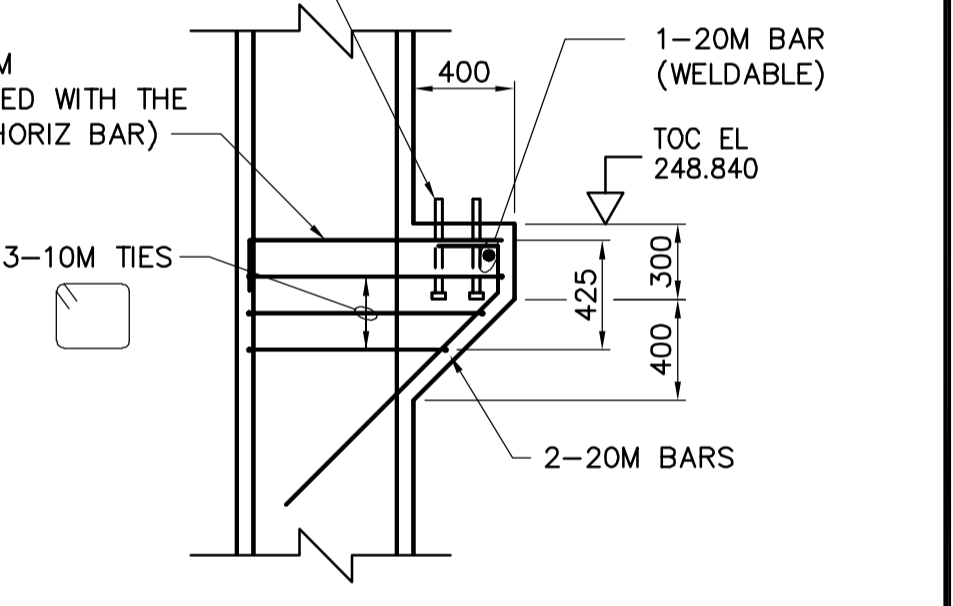


**NOTES:**  
 1. SEE PLANS FOR SLAB REINFORCEMENT.  
 2. THE MONORAIL AND BEAMS WERE INCLUDED IN REVISION 3--ISSUED FOR CONSTRUCTION, IN ERROR AND SHOULD NOT BE CONSIDER PART OF THIS B0650-2005 PACKAGE.

NOT IN CONTRACT



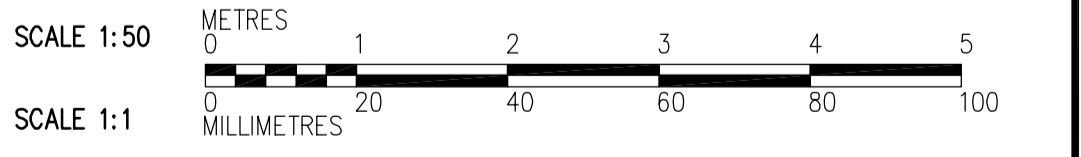
4-20mm DIA ANCHOR BOLTS LOCATION AND SPACING TO BE DETERMINE IN SEPARATE CONTRACT



CORBEL WIDTH TO MATCH COLUMN WIDTH

**A SECTION**  
 WI-S0101 1:50

WI-F0105, WI-S0111, WI-S0131, WI-S0141



FOR INFORMATION ONLY - NOT IN CONTRACT

**APEGM**  
 Certificate of Authorization  
 CH2M Hill Canada Limited (ON)  
 No. 1441 Expiry: April 30, 2006

NO.	REVISIONS	DATE	BY	DATE	2005/08/02	DATE	2005/10/28
04	650-2005-FI-O-002	06/01/20	EL				
03	ISSUED FOR CONSTRUCTION	06/01/06	EL				
02	650-2005 ADDENDUM 3	05/11/24	EL				
01	650-2005 ADDENDUM 2	05/11/16	EL				
00	ISSUED FOR TENDER	05/10/28	EL				

**CH2MHILL**  
 Frederickson Cooper ARCHITECTS

**EarthTech**  
 A Tyco International Ltd. Company

DESIGNED BY: EL  
 CHECKED BY: AP  
 DRAWN BY: RL  
 APPROVED BY: AHL  
 SCALE: 1:50  
 RELEASED FOR CONSTRUCTION BY: R. SOROKOWSKI  
 DATE: 2005/08/02  
 DATE: 2005/10/28

ENGINEER'S SEAL  
 ORIGINAL SIGNED BY: D. KRUGER  
 2005/10/28  
 CONSULTANT DRAWING NO. WI-S0201

**THE CITY OF WINNIPEG**  
 WATER AND WASTE DEPARTMENT  
 ENGINEERING DIVISION

WATER TREATMENT PLANT  
 FOUNDATIONS AND CONCRETE STRUCTURES 1  
 STRUCTURAL  
 RAW WATER PUMP STATION AREA SECTION

CITY FILE NUMBER  
 SHEET OF  
 CITY DRAWING NUMBER  
**1-0601-A-S0201-001-04D**