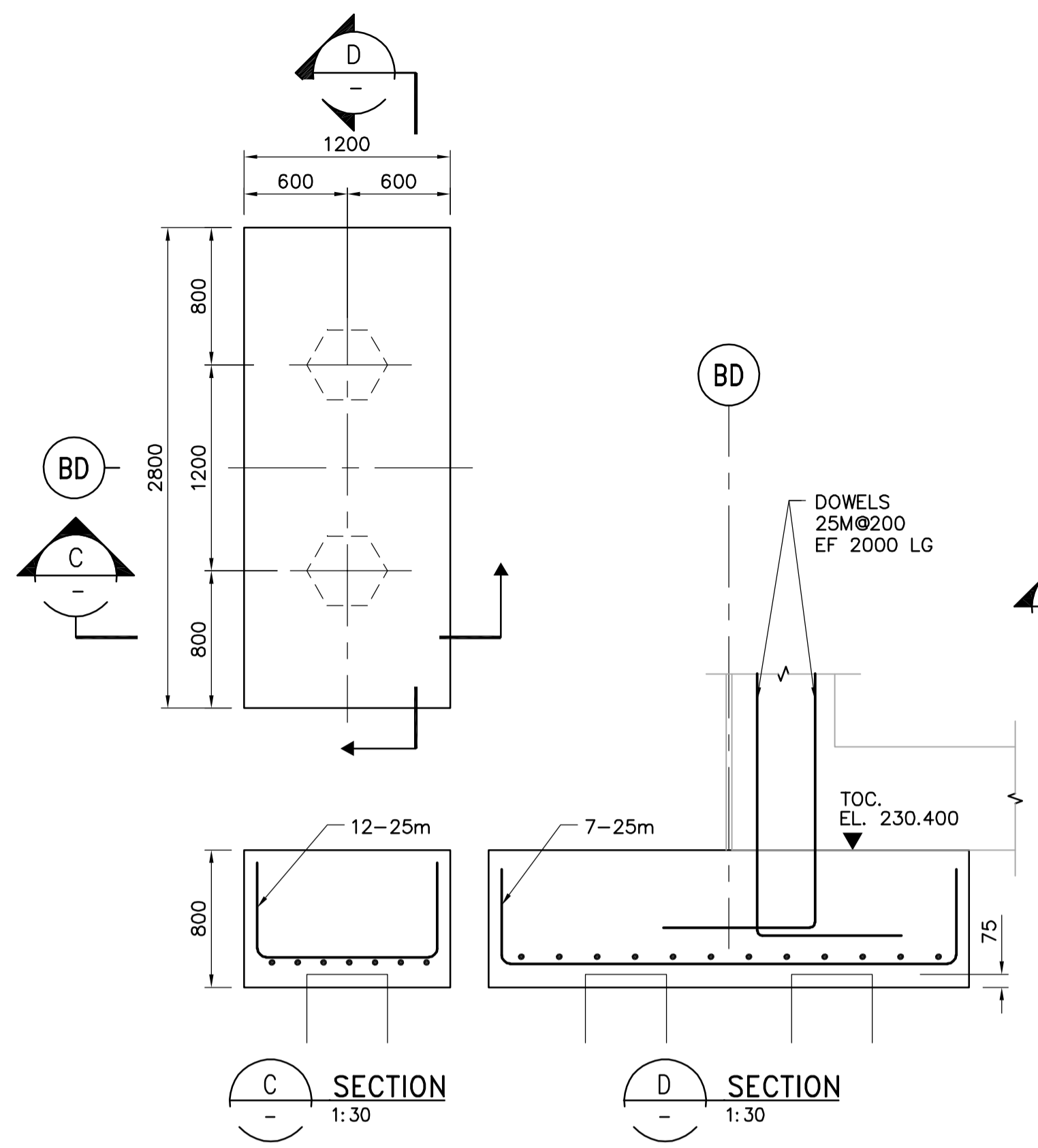


SECTION A 1:30

SECTION B 1:30

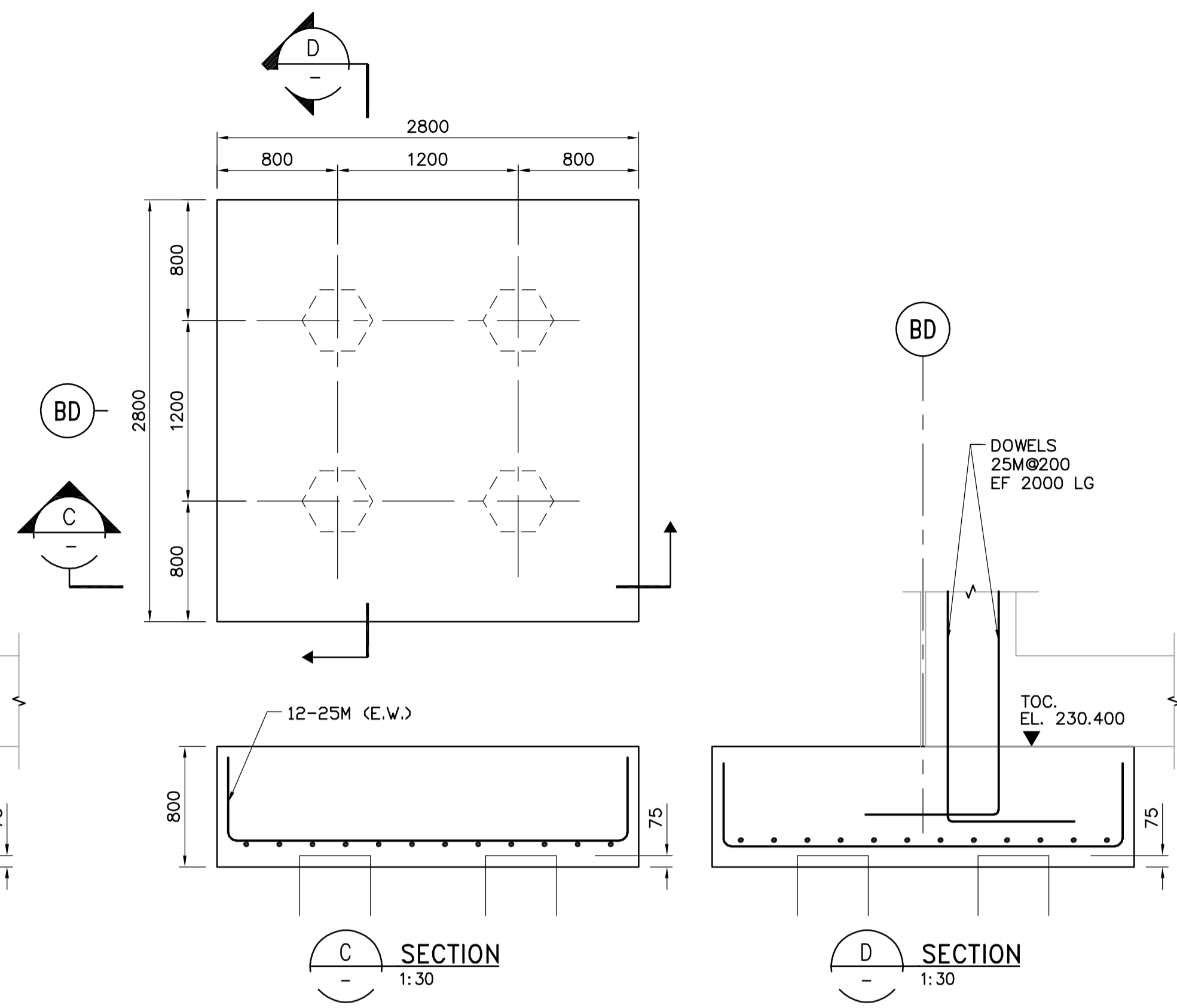
PILE CAP TYPE "G"



SECTION C 1:30

SECTION D 1:30

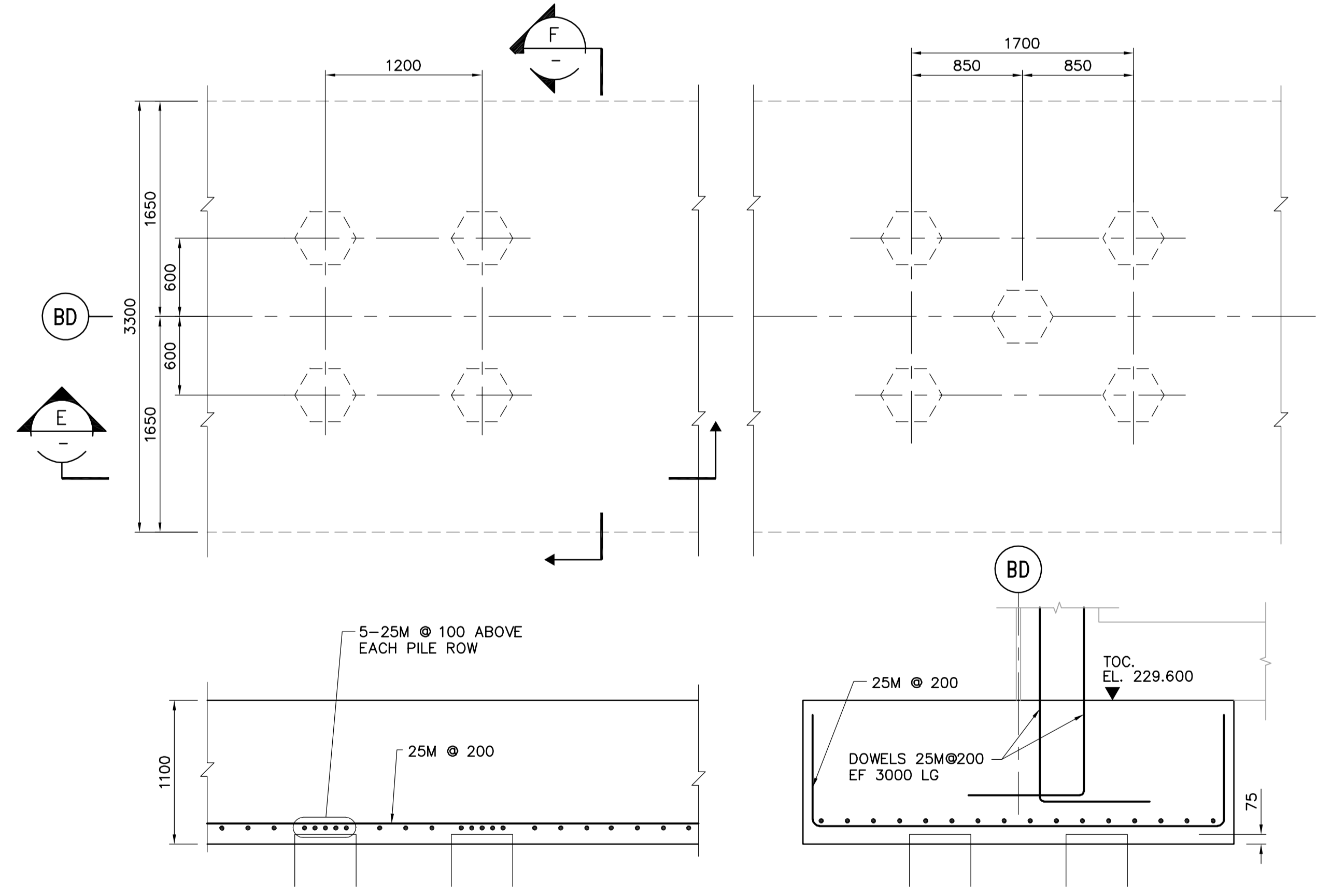
PILE CAP TYPE "H"



SECTION C 1:30

SECTION D 1:30

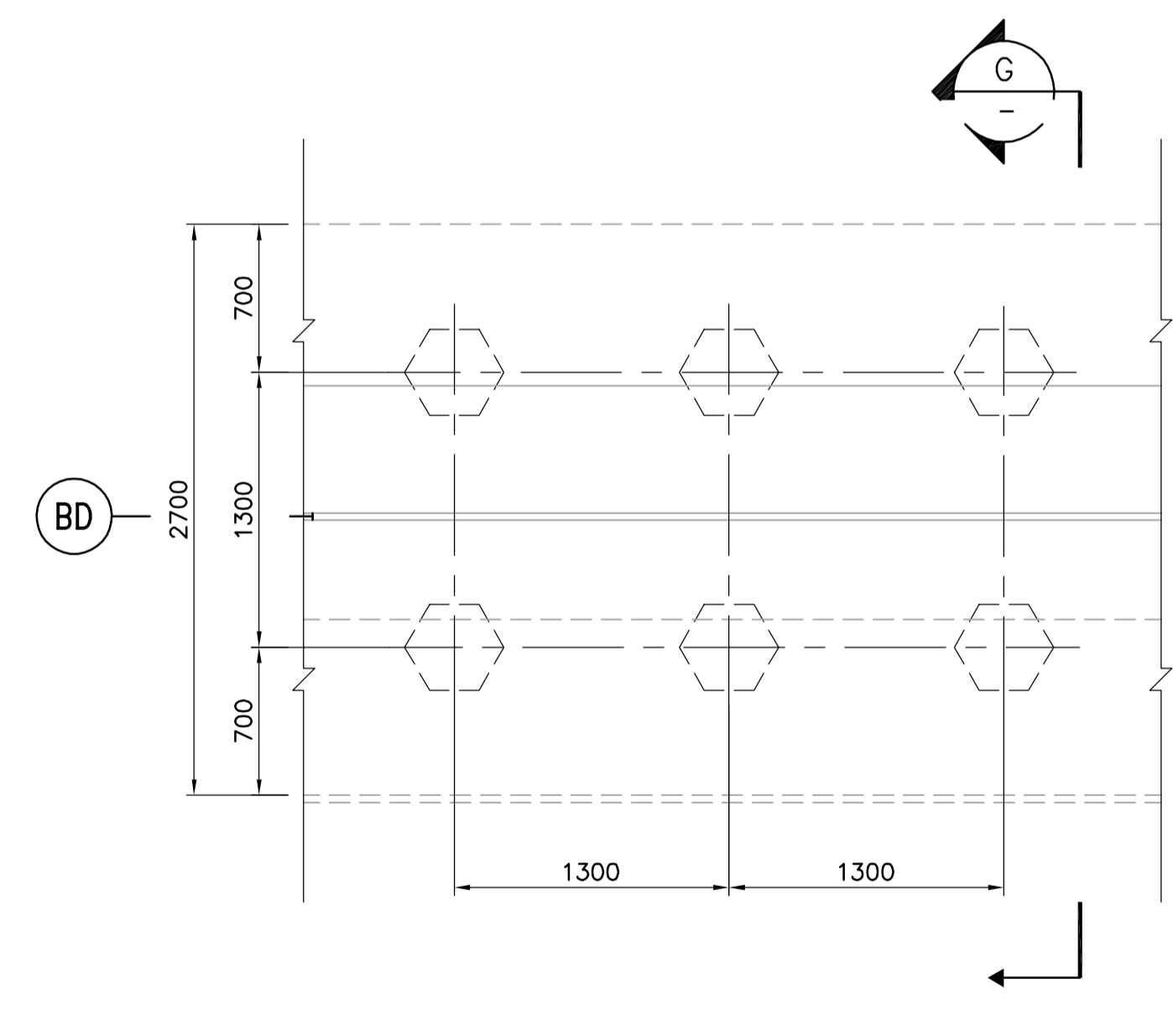
PILE CAP TYPE "J"



SECTION E 1:30

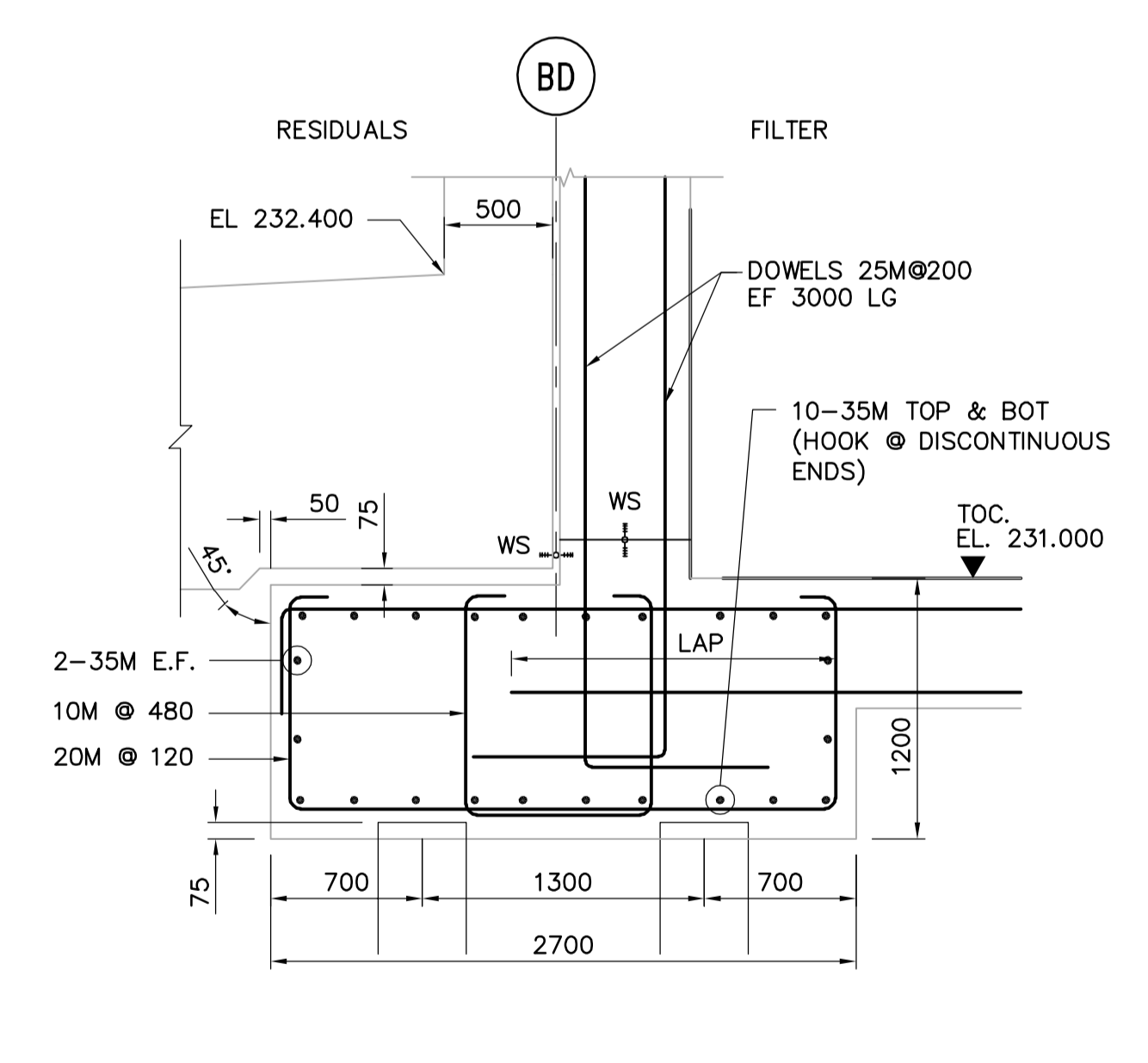
SECTION F 1:30

PILE CAP TYPE "F"



SECTION G 1:30

PILE CAP TYPE "E"



SECTION G 1:30

PILE CAP TYPE "E"

<p>Certificate of Authorization CH2M HILL Canada Ltd. No. 1441 Expiry: April 30, 2006</p>	<p>Frederickson Cooper ARCHITECTS</p>	<p>A Neo International Ltd. Company</p>	ENGINEER'S SEAL ORIGINAL SIGNED BY D. KRUGER 2006/02/06	<p>THE CITY OF WINNIPEG WATER AND WASTE DEPARTMENT ENGINEERING DIVISION</p>	
			DESIGNED BY KA CHECKED BY DK/AP DRAWN BY MS APPROVED BY DJT SCALE: 1:30 RELEASED FOR CONSTRUCTION BY: R. SOROKOWSKI		CITY FILE NUMBER SHEET OF
			00 ISSUED FOR TENDER 2006/02/03 KA NO. REVISIONS DATE BY DATE 2005/08/10 DATE 2006/02/08		CONSULTANT DRAWING NO. WF-S0402
			WATER TREATMENT PLANT FILTRATION FOUNDATIONS AND CONCRETE STRUCTURES STRUCTURAL FILTRATION AREA DETAILS		CITY DRAWING NUMBER 1-060F-A-S0402-001-00D