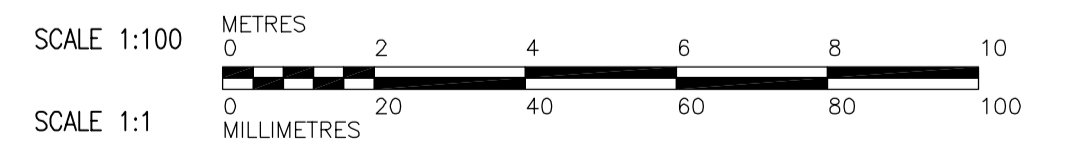
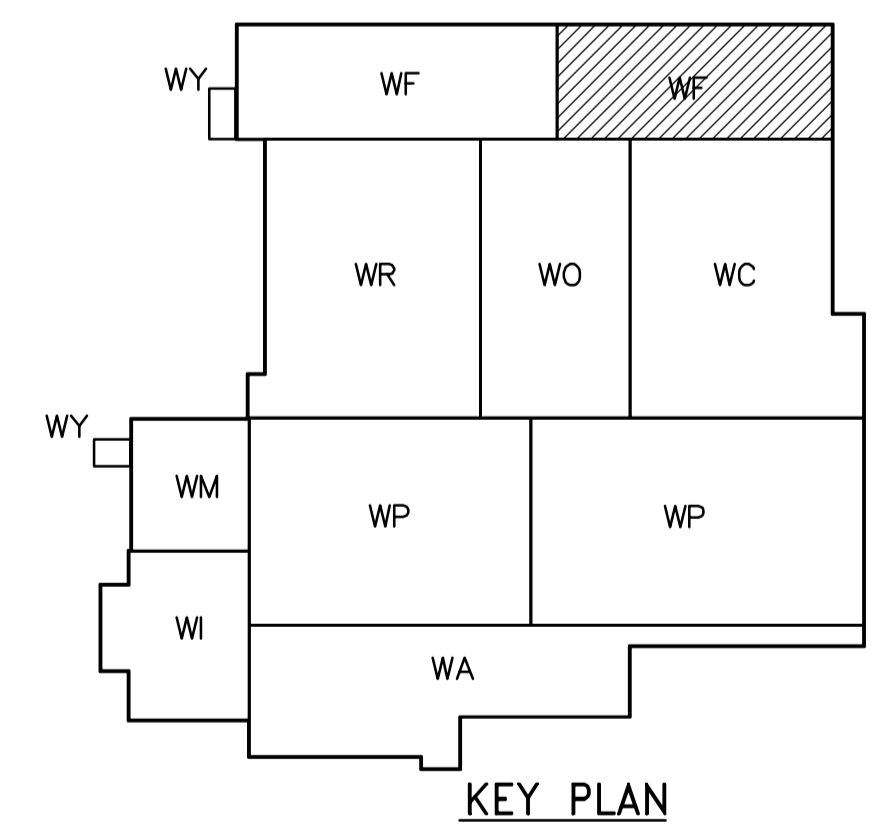
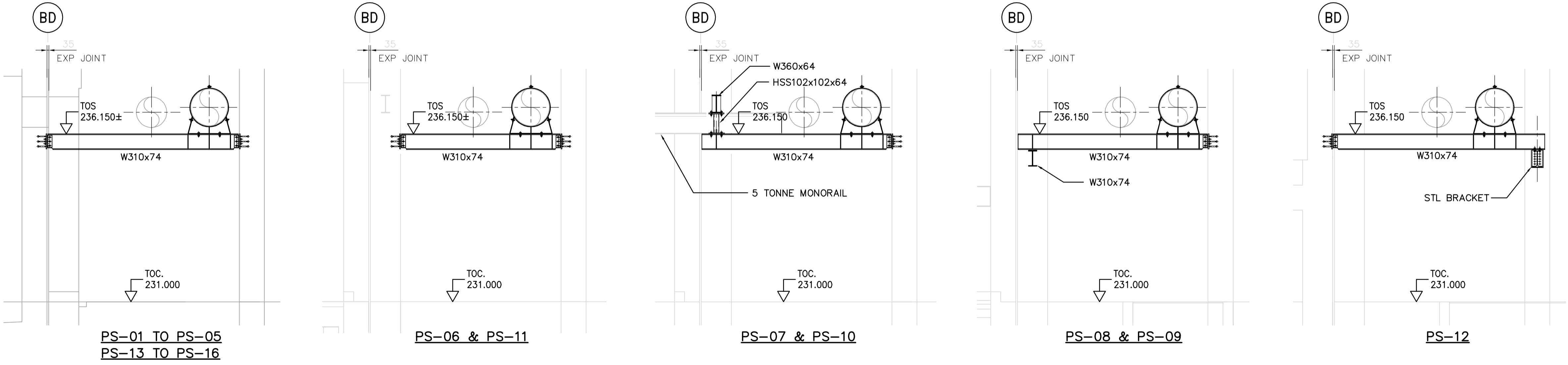


- NOTES:**
- EMBEDDED PLATE FOR PIPE SUPPORTS SEE DET.
 - ONLY EMBEDDED PLATES ARE IN THIS CONTRACT.
 - PS-XX SHOWN FOR INFORMATION ONLY.
 - MONORAIL BEAMS SHOWN FOR INFORMATION ONLY.
 - EMBEDDED PLATES FOR MONORAIL BEAMS SEE DET.

LIFTING EYE
 + TYPE "1" (900 kg)
 x TYPE "2" (1800 kg)



<p>APEGN Certificate of Authorization CH2M HILL Canada Ltd. No. 1441 Expiry: April 30, 2006</p>	<p>Frederickson Cooper ARCHITECTS</p>	<p>EarthTech A Veolia International Ltd. Company</p>	ENGINEER'S SEAL ORIGINAL SIGNED BY D. KRUGER 2006/02/06	<p>THE CITY OF WINNIPEG WATER AND WASTE DEPARTMENT ENGINEERING DIVISION</p>
			DESIGNED BY: KA CHECKED BY: AP DRAWN BY: PM APPROVED BY: DJT SCALE: 1:100 RELEASED FOR CONSTRUCTION BY: R. SOROKOWSKI DATE: 2005/08/10	
B.M. ELEV.			WATER TREATMENT PLANT FILTRATION FOUNDATIONS AND CONCRETE STRUCTURES	CITY FILE NUMBER SHEET OF CITY DRAWING NUMBER 1-0601F-A-9018-001-00D
00 ISSUED FOR TENDER 2006/02/03 KA NO. REVISIONS DATE BY		DATE 2005/08/10 DATE 2006/02/08		