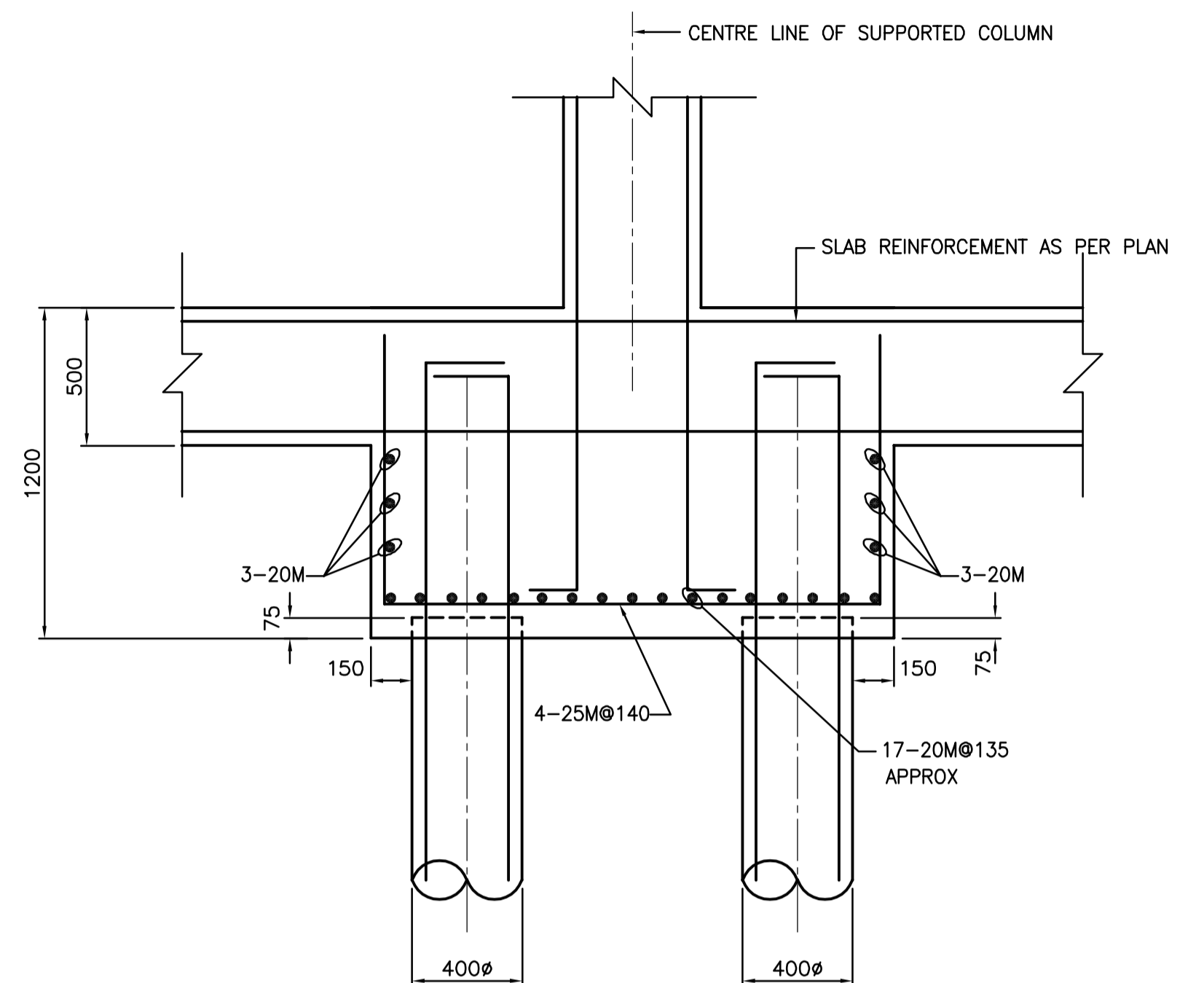
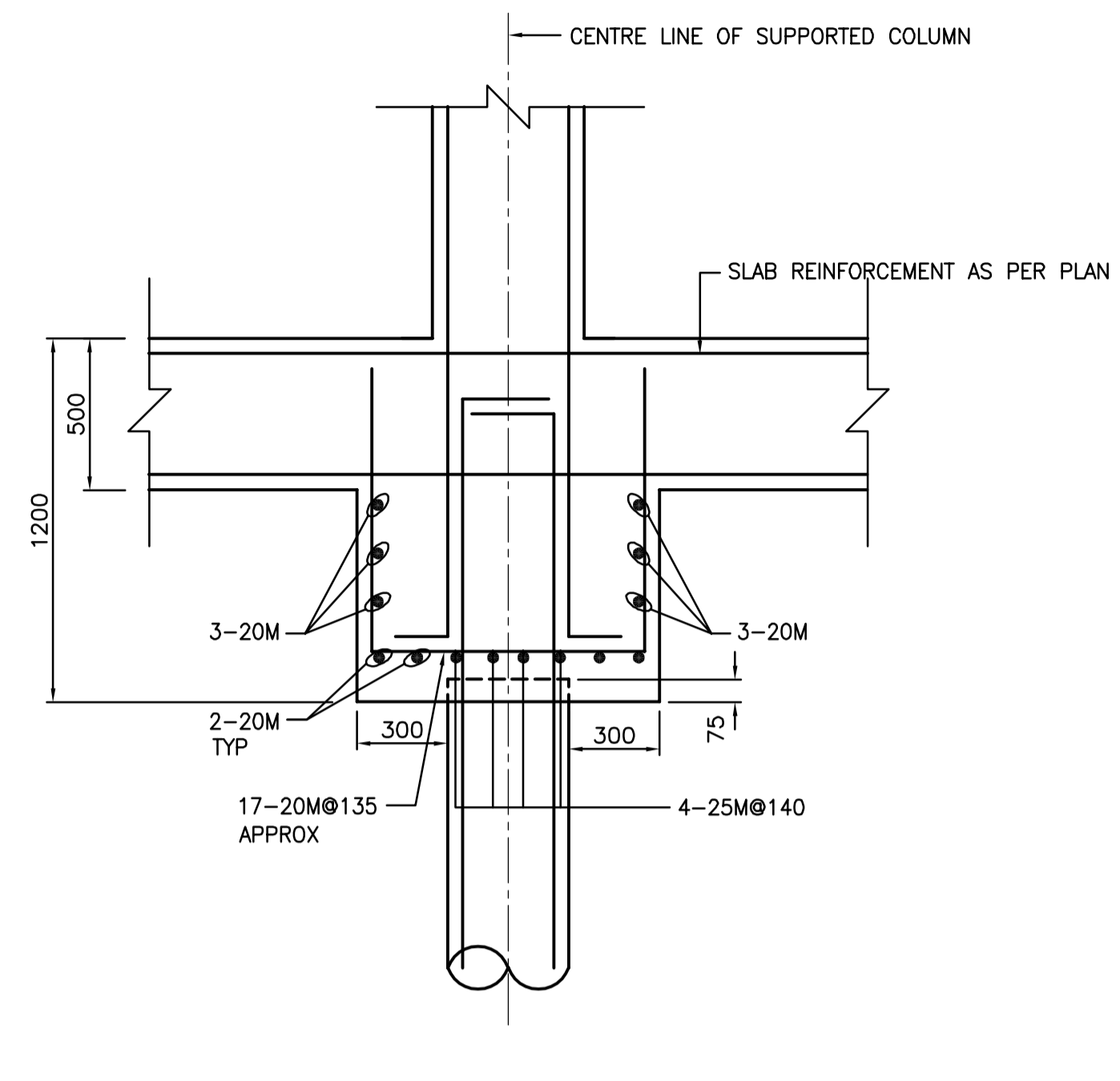


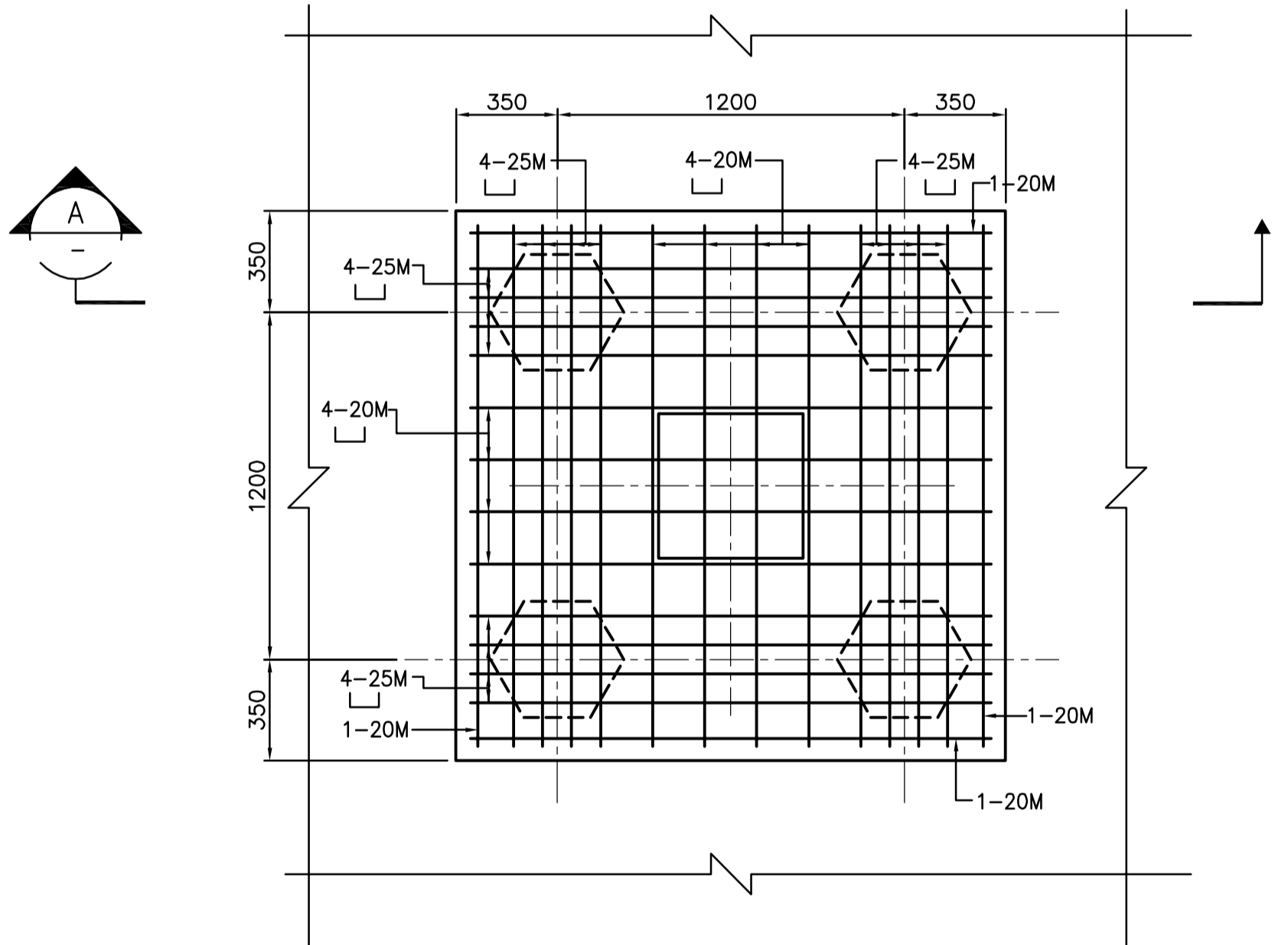
A SECTION (SIMILAR IN BOTH DIRECTIONS)
1:20



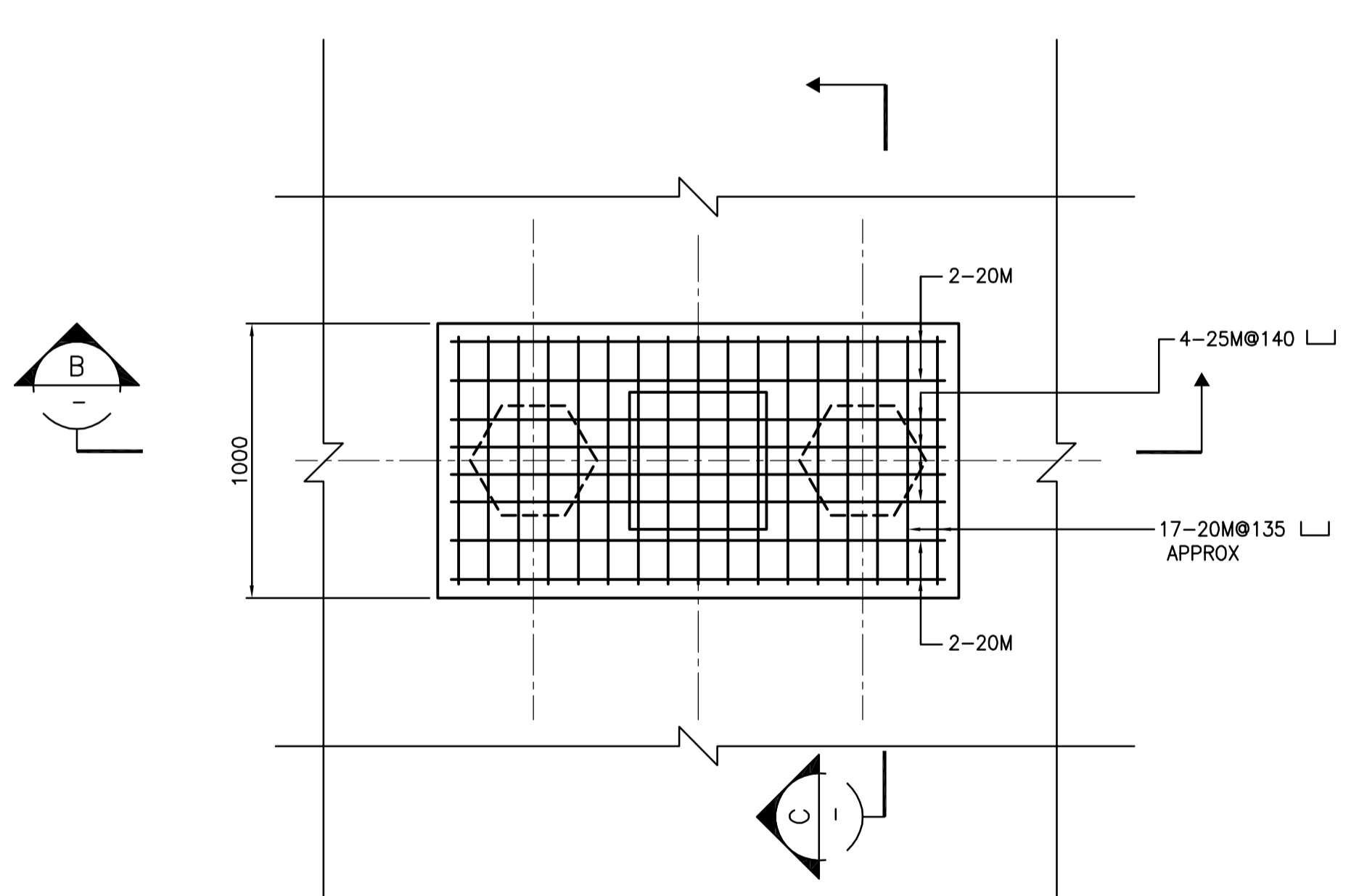
B SECTION
1:20



C SECTION
1:20



PLAN SHOWING REINFORCEMENT @ BOTTOM OF PILE CAP OVER 4 PILES
1:20



PLAN SHOWING REINFORCEMENT @ BOTTOM OF PILE CAP OVER 2 PILES
1:20

NOTES:
1. FOR PILING LAYOUT SEE DWG WC-F0105.

 APEGA Certificate of Authorization CH2M HILL Canada Ltd. No. 1441 Expiry: April 30, 2006	B.M. ELEV.	 Frederickson Cooper ARCHITECTS	 A Neo International Ltd. Company	ENGINEER'S SEAL ORIGINAL SIGNED BY D. KRUGER 2006/02/06	 THE CITY OF WINNIPEG WATER AND WASTE DEPARTMENT ENGINEERING DIVISION WATER TREATMENT PLANT CHEMICAL FEED SYSTEMS FOUNDATIONS AND CONCRETE STRUCTURES STRUCTURAL CHEMICAL AREA DETAILS OF PILE CAP	CITY FILE NUMBER
	00 ISSUED FOR TENDER 2006/02/03 EL NO. REVISIONS DATE BY	DESIGNED BY EL CHECKED BY AP DRAWN BY DJ APPROVED BY DJT SCALE: 1:20 RELEASED FOR CONSTRUCTION BY: R. SOROKOWSKI DATE 2005/07/07 DATE 2006/02/08	CONSULTANT DRAWING NO. WC-S0451	SHEET OF CITY DRAWING NUMBER 1-060K-A-80451-001-00D		