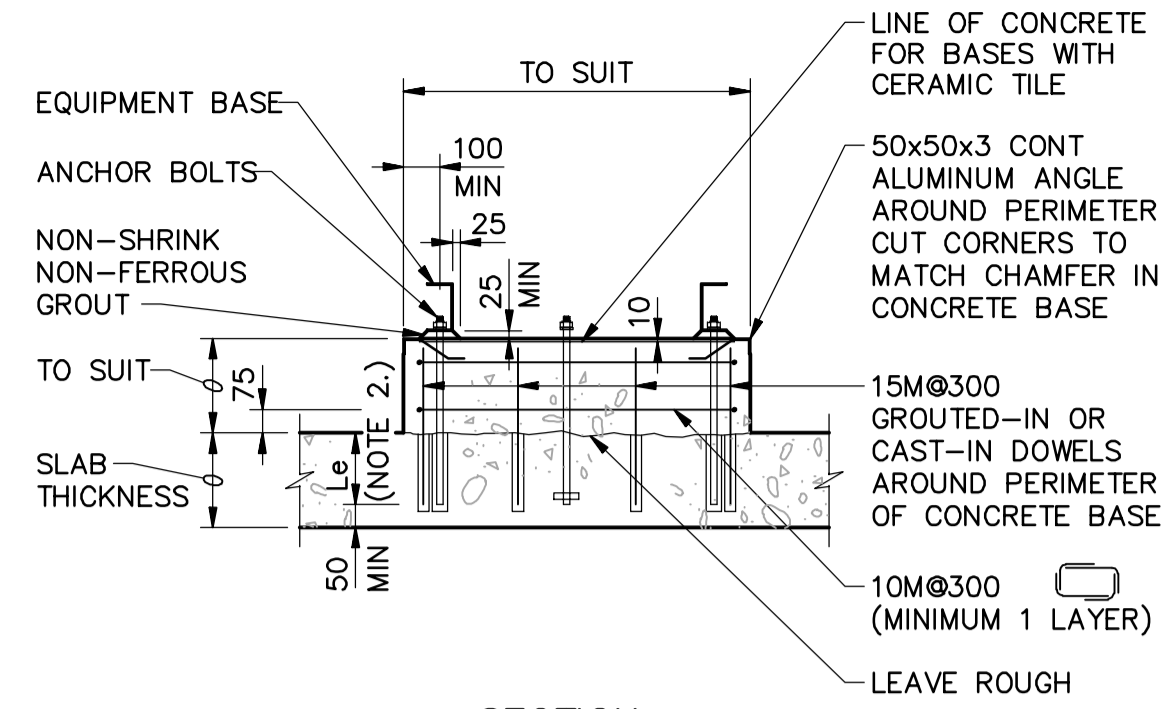


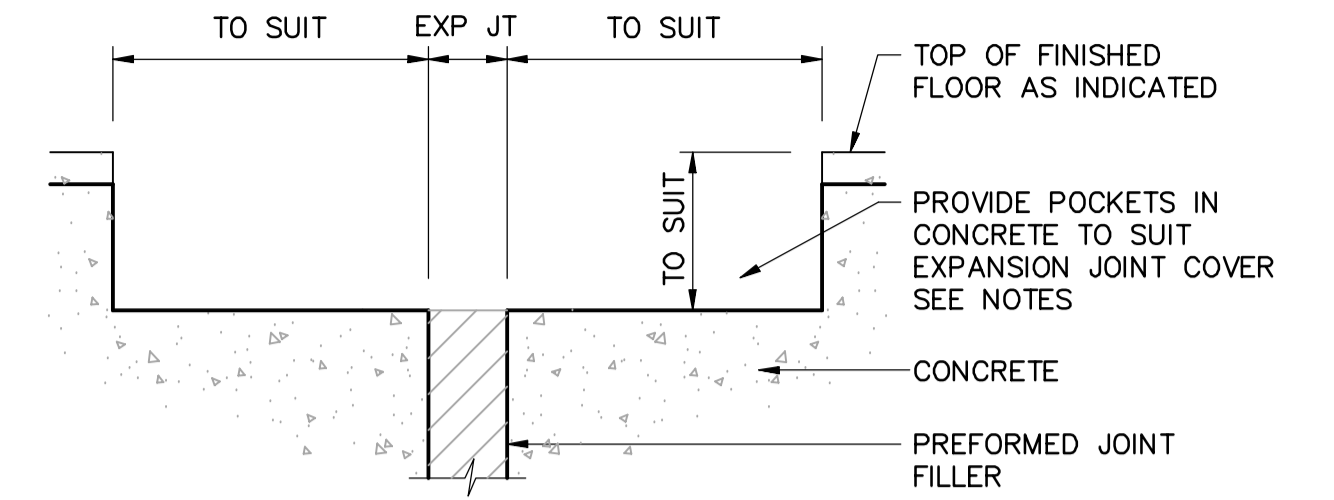
- NOTES:**
- SEE EQUIPMENT PAD NOTES.
 - WHEN ANCHORAGE OF EQUIPMENT TO SLAB IS REQUIRED, USE SST WEDGE ANCHORS SPECIFIED.

1 EQUIPMENT PAD
N.T.S.



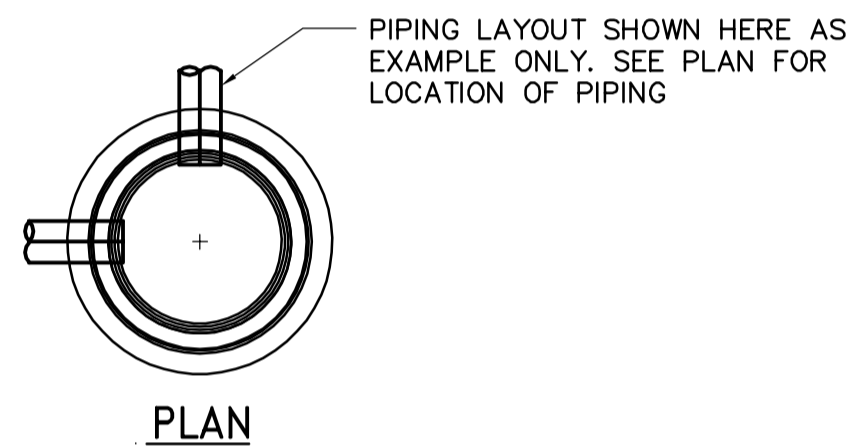
- NOTES:**
- DIMENSIONS OF BASES, ANCHOR BOLTS, SIZES AND LOCATIONS TO SUIT EQUIPMENT SUPPLIED.
 - FOR GROUTED-IN DOWEL EMBEDMENT LENGTH, L_e , REFER TO DETAIL **2** WB-S0454
 - ANCHOR BOLT EMBEDMENT DETAILS, PRESTRESSING, ETC AS REQUIRED BY EQUIPMENT MANUFACTURER.
 - FOR ANCHOR BOLT DETAILS, SEE **2** WB-S0457

2 TYPICAL CONCRETE EQUIPMENT PAD
N.T.S.



- NOTE:**
- VERIFY THE EXACT DIMENSION FOR RECESS IN FLOOR BASED ON SUPPLIER SELECTED.

3 RECESS AT EXPANSION JOINT IN SLABS
N.T.S.



STANDARD CITY OF WINNIPEG MANHOLE FRAME AND COVER

WRAP RISER SECTIONS AND REDUCERS WITH 1 WRAP OF 6 MIL POLYETHYLENE SHEET 3000mm FROM SURFACE

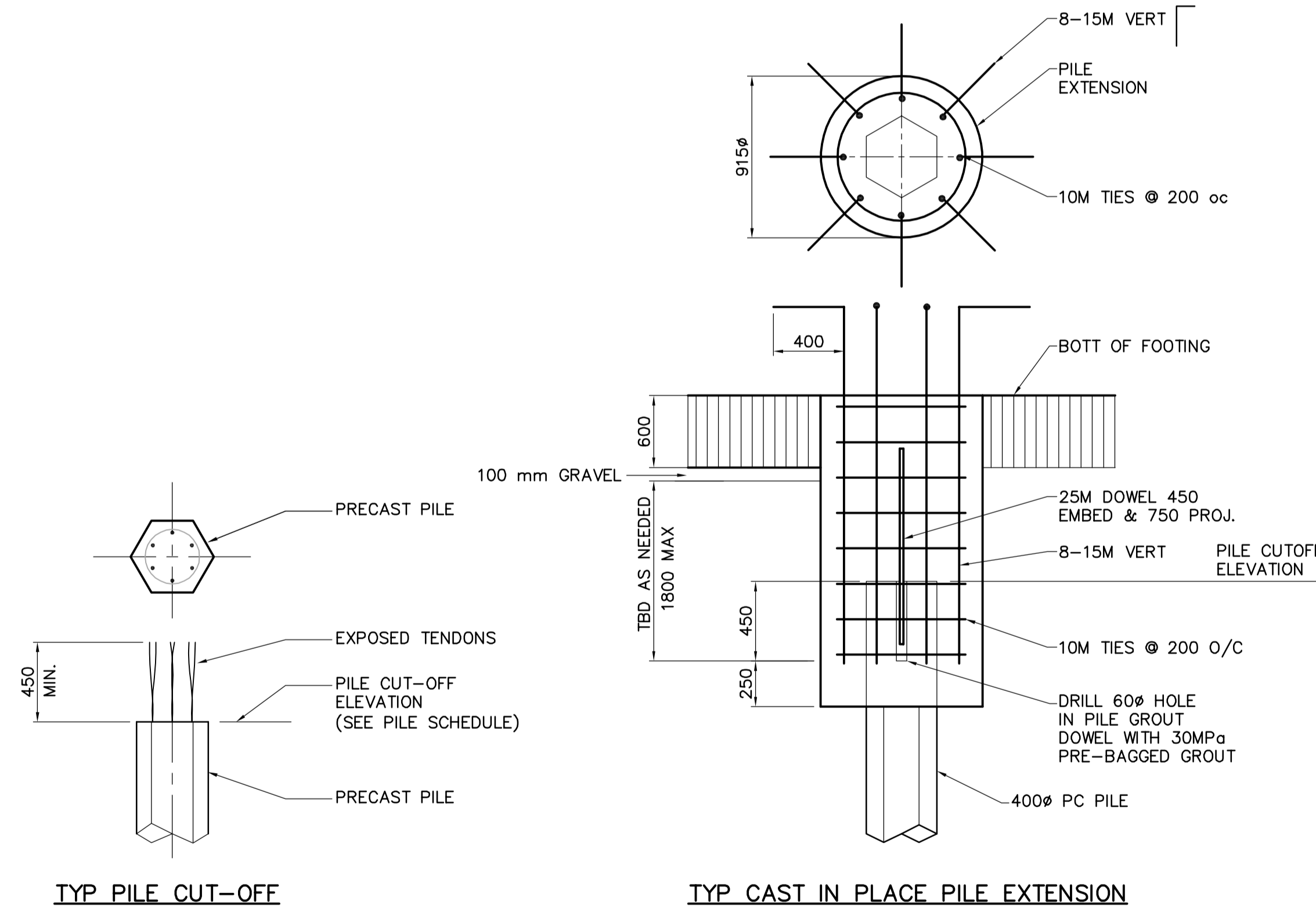
200mm DRAIN PIPE

EL TO SUIT PIPING

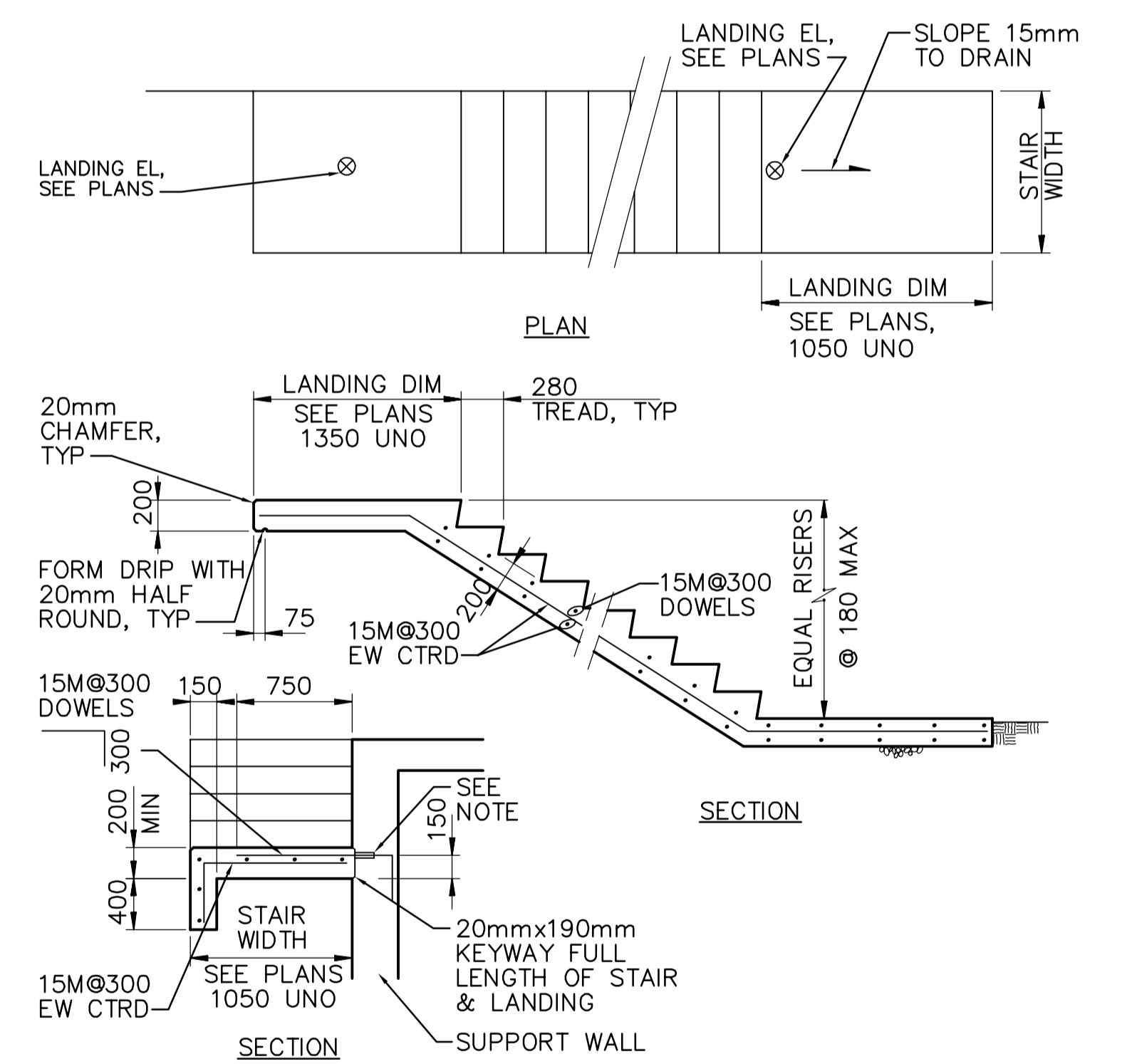
FLOOR TO BE GROUTED AND SLOPED

PRECAST SECTIONS TO ASTM C-478 OR C-76 CL II

4 DETAIL SECTION OF MANHOLE
N.T.S.



5 PILING DETAILS
N.T.S.



- NOTE:**
- CONTRACTOR'S OPTION TO USE THREADED REINFORCING WITH MECHANICAL THREADED CONNECTORS FOR FORMING.

6 CONCRETE STAIR - CANTILEVERED
N.T.S.



B.M. ELEV.					
DESIGNED BY	DK	CHECKED BY	AP		
DRAWN BY	PT	APPROVED BY	DJT		
SCALE:	NTS	RELEASED FOR CONSTRUCTION BY:	R. SOROKOWSKI		
00 ISSUED FOR TENDER	2006/02/03	DATE	2005/08/31	DATE	2006/02/08
NO. REVISIONS		DATE		DATE	

ENGINEER'S SEAL	THE CITY OF WINNIPEG WATER AND WASTE DEPARTMENT ENGINEERING DIVISION	
ORIGINAL SIGNED BY	D. KRUGER	CITY FILE NUMBER
DATE	2006/02/06	SHEET OF
CONSULTANT DRAWING NO.	WB-S0460	CITY DRAWING NUMBER
		1-060B-A-S0460-001-00D