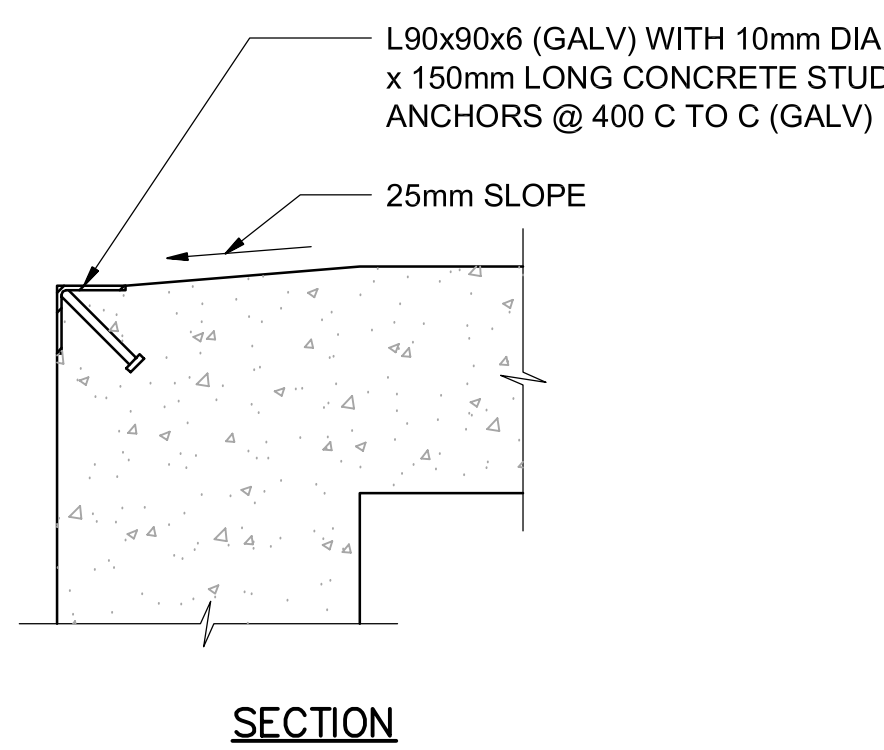


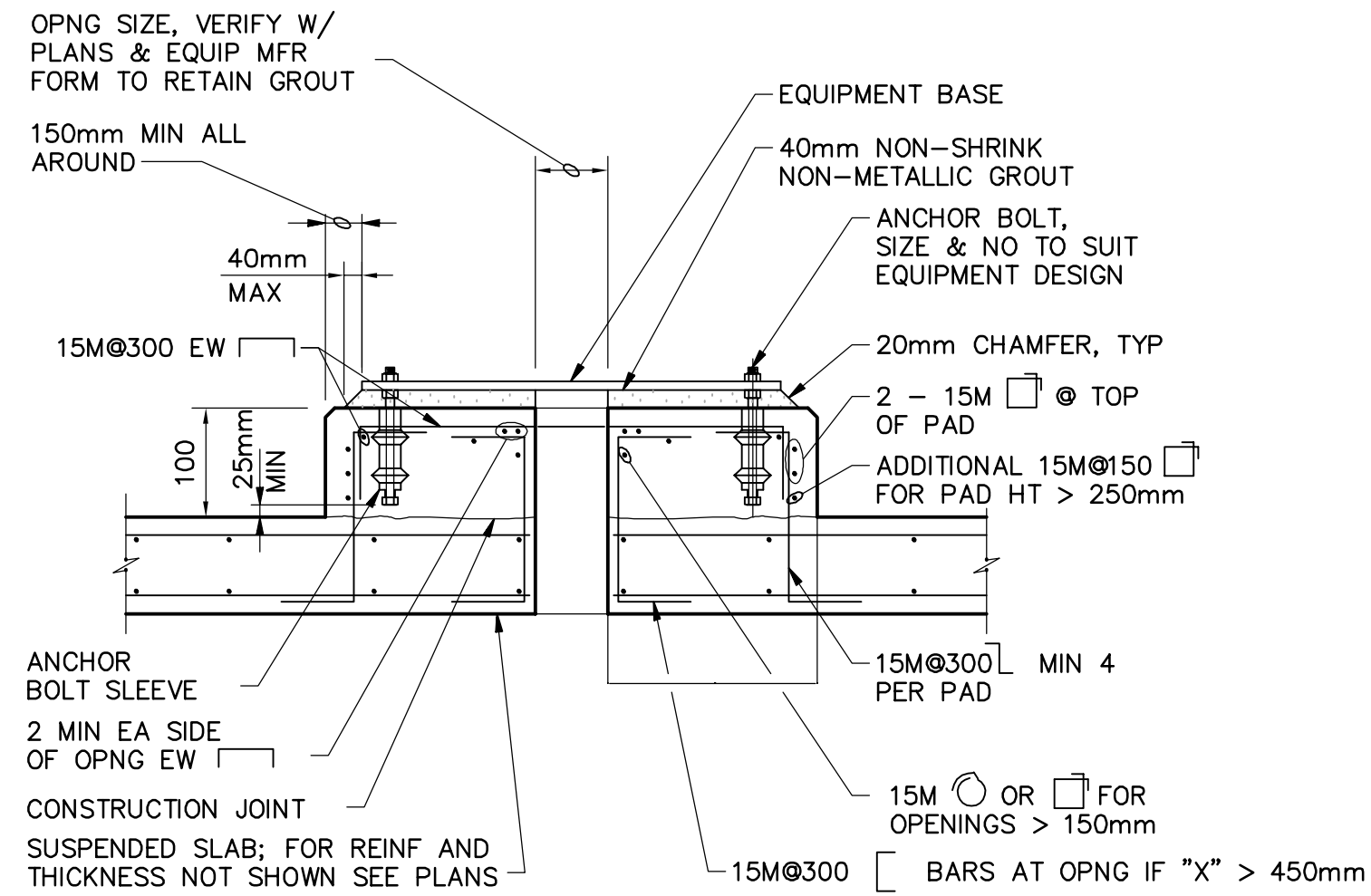
NOTES:

- THICKNESS "B" OF SADDLE  
 B = 150mm WHEN: D < 300mm  
 B = 200mm WHEN: 300mm ≤ D < 600mm  
 B = 250mm WHEN: 600mm ≤ D < 900mm  
 B = 300mm WHEN: 900mm ≤ D < 1200mm  
 B = 400mm WHEN: D ≥ 1200mm
- FOR "B"=250mm OR THICKER, USE 2 LAYERS OF REINFORCING, TURN HORIZONTAL BARS 90° TO HOOK AROUND VERTICALS, 40mm CLEAR OF CONCRETE
- FORM 19mm BEVEL ON ALL EXPOSED CORNERS OF SUPPORT.
- PIPING INSTALLED UNDER SEPARATE CONTRACT  
 COORDINATE PIPE SIZE AND LOCATION OF SUPPORT.

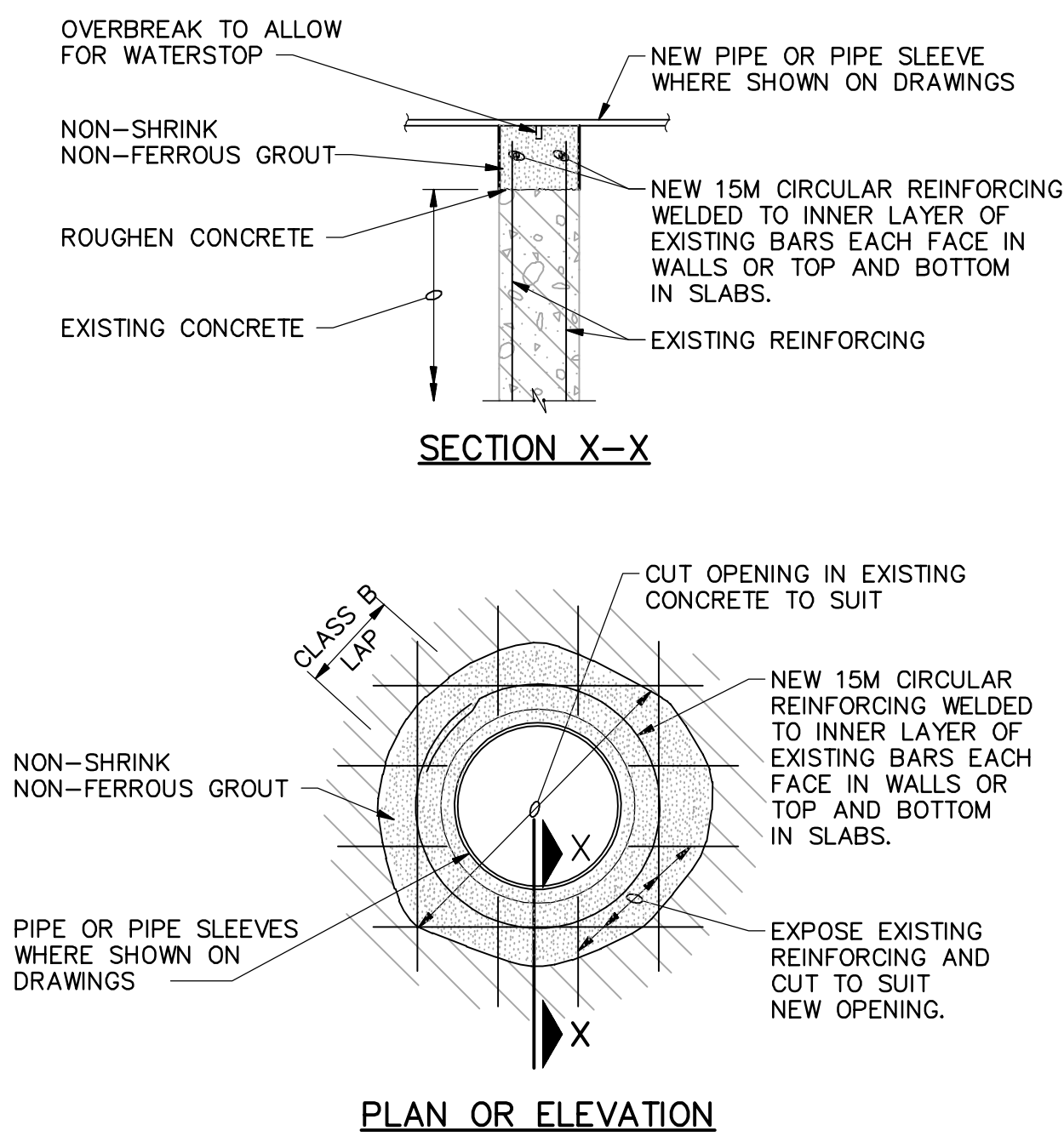
1 TYPICAL CONCRETE PIPE SUPPORT WITH STRAP  
N.T.S.



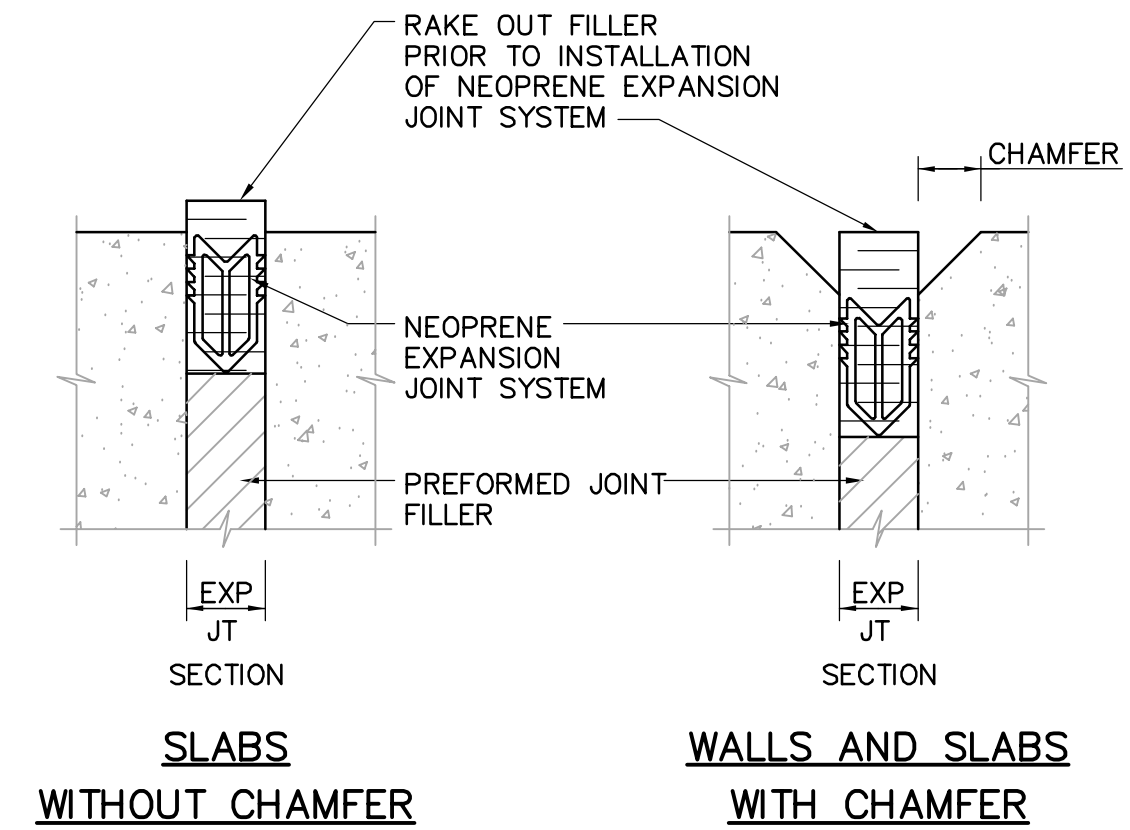
4 CONCRETE EDGE PROTECTION  
N.T.S.



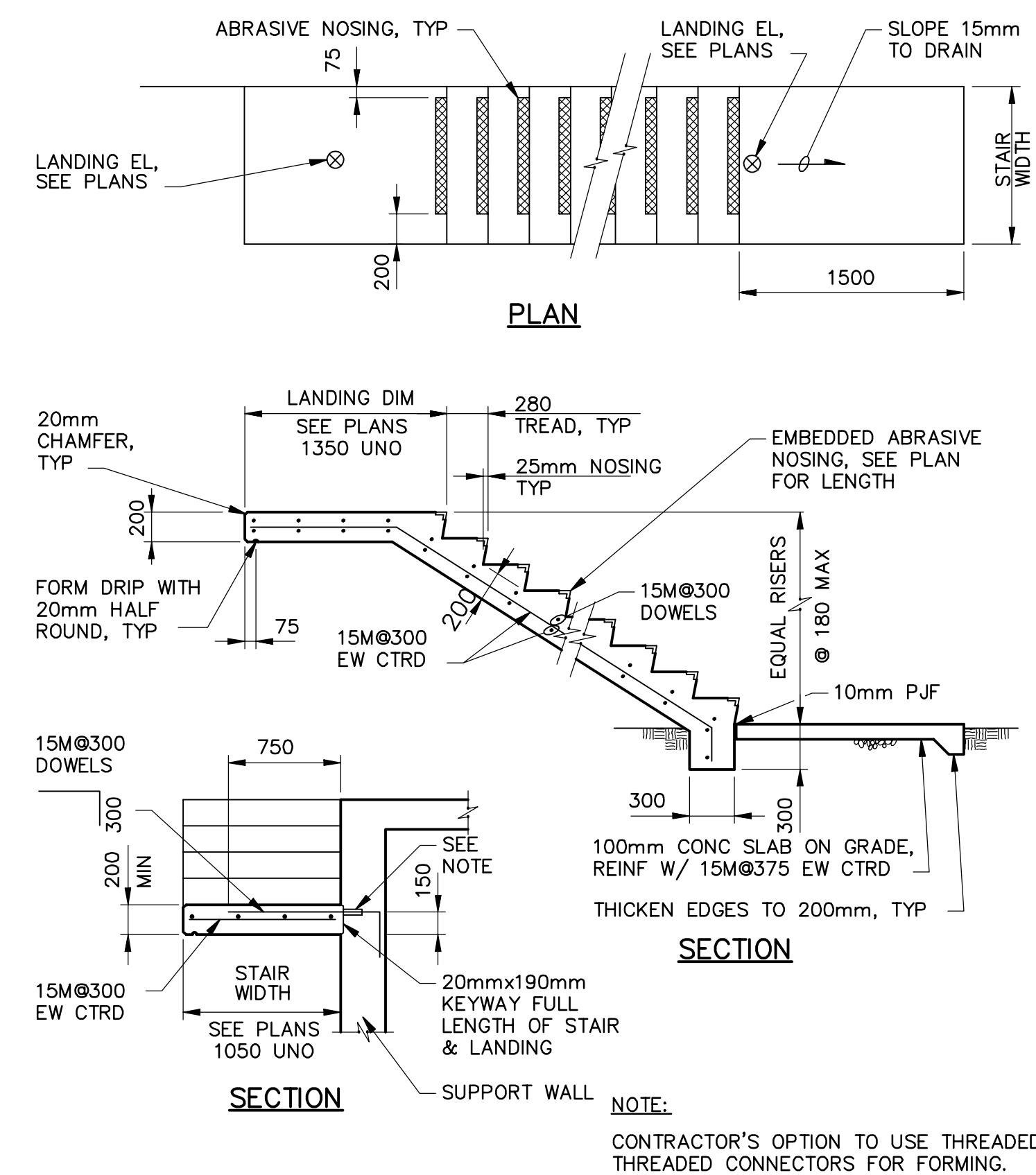
2 CONCRETE EQUIPMENT PAD  
N.T.S.



5 NEW PIPE OPGS IN EXT WALLS AND SLABS  
N.T.S.



3 NEOPRENE EXPANSION JOINT SYSTEM  
N.T.S.



6 CONCRETE STAIR - WITHOUT CLOSURE WALL  
N.T.S.

|   |                       |   |   |                                     |   |  |
|---|-----------------------|---|---|-------------------------------------|---|--|
| <p>Certificate of Authorization<br/>CH2M HILL Canada Ltd.<br/>No. 1441 Expiry: April 30, 2006</p> | B.M. ELEV.            | <p>Frederickson Cooper<br/>ARCHITECTS</p>   | <p>A Neo International Ltd. Company</p> | ENGINEER'S SEAL                     | <p>THE CITY OF WINNIPEG<br/>WATER AND WASTE DEPARTMENT<br/>ENGINEERING DIVISION</p> |  |
|   | DESIGNED BY DK        | CHECKED BY AP                               | DESIGNED BY DK                          | ORIGINAL SIGNED BY D. KRUGER        |   | CITY FILE NUMBER                           |
|   | DRAWN BY PT           | APPROVED BY DJT                             | DRAWN BY PT                             | 2006/02/06                          |   | SHEET OF                                   |
|   | SCALE: NTS            | RELEASED FOR CONSTRUCTION BY: R. SOROKOWSKI | SCALE: NTS                              | CONSULTANT DRAWING NO. WB-S0459     |   | CITY DRAWING NUMBER 1-060B-A-50459-001-00D |
| 00 ISSUED FOR TENDER 2006/02/03 DK  | NO. REVISIONS DATE BY | DATE 2005/08/31                             | DATE 2006/02/08                         | FOUNDATIONS AND CONCRETE STRUCTURES | STRUCTURAL  |  |
| <p>STANDARD DETAILS</p>   |                       |   |   |                                     |   |  |