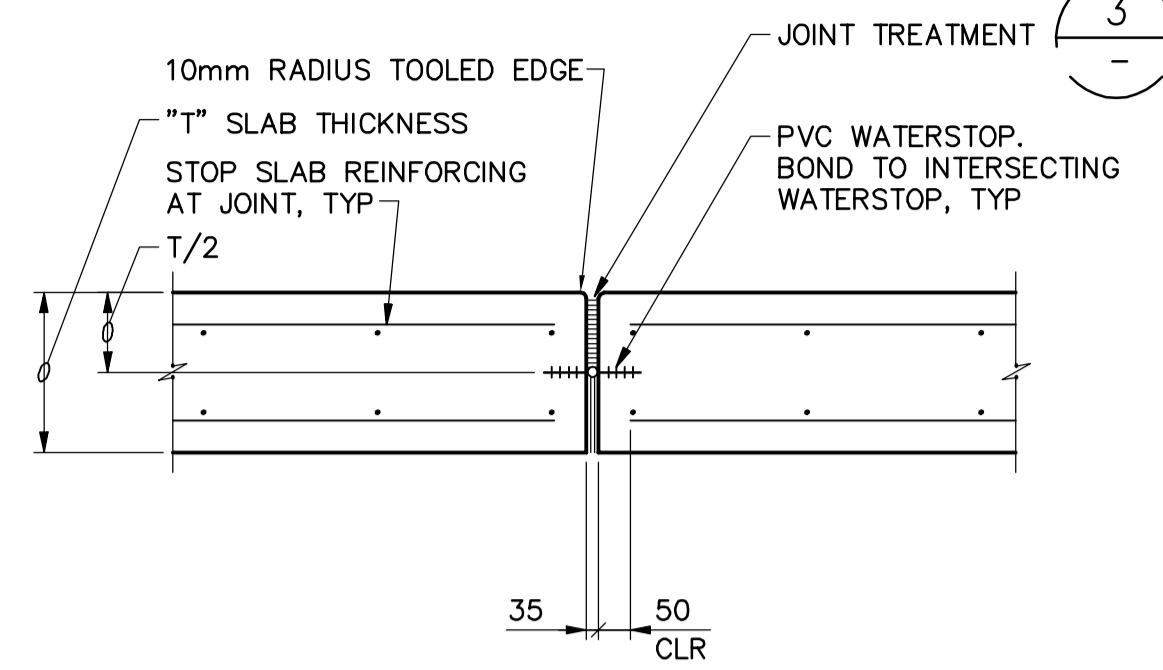


NOTE:

FOR SIZE OF WATERSTOP SEE (1) WB-S0456

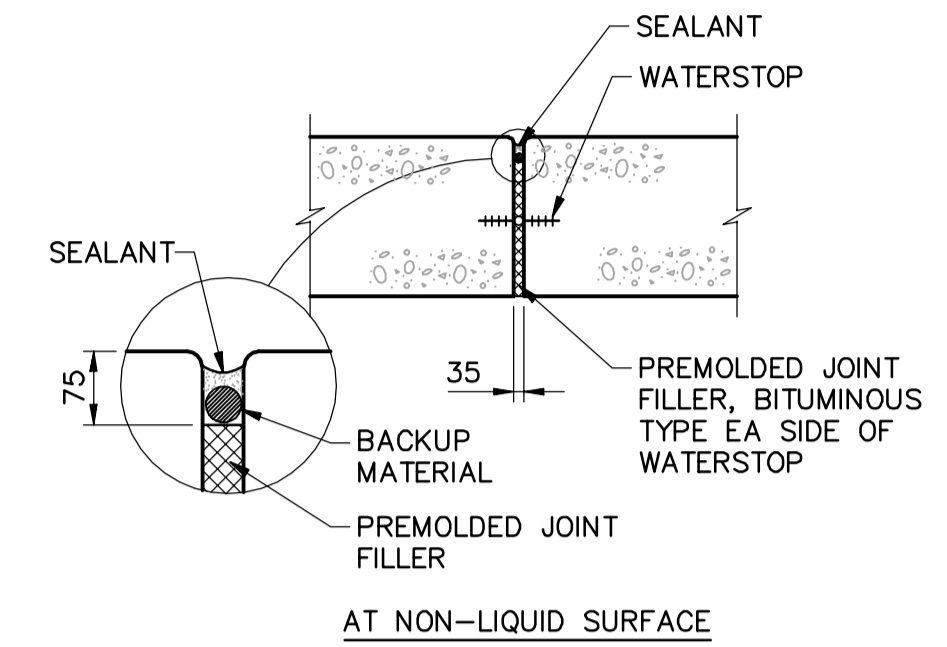
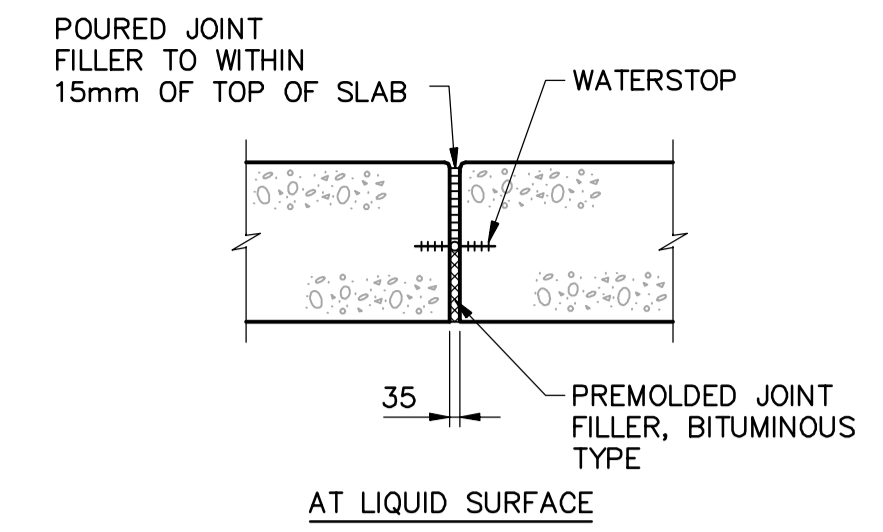
(1) ELEVATED SLAB EXPANSION JOINT
N.T.S.



NOTE:

FOR SIZE OF WATERSTOP SEE (1) WB-S0456

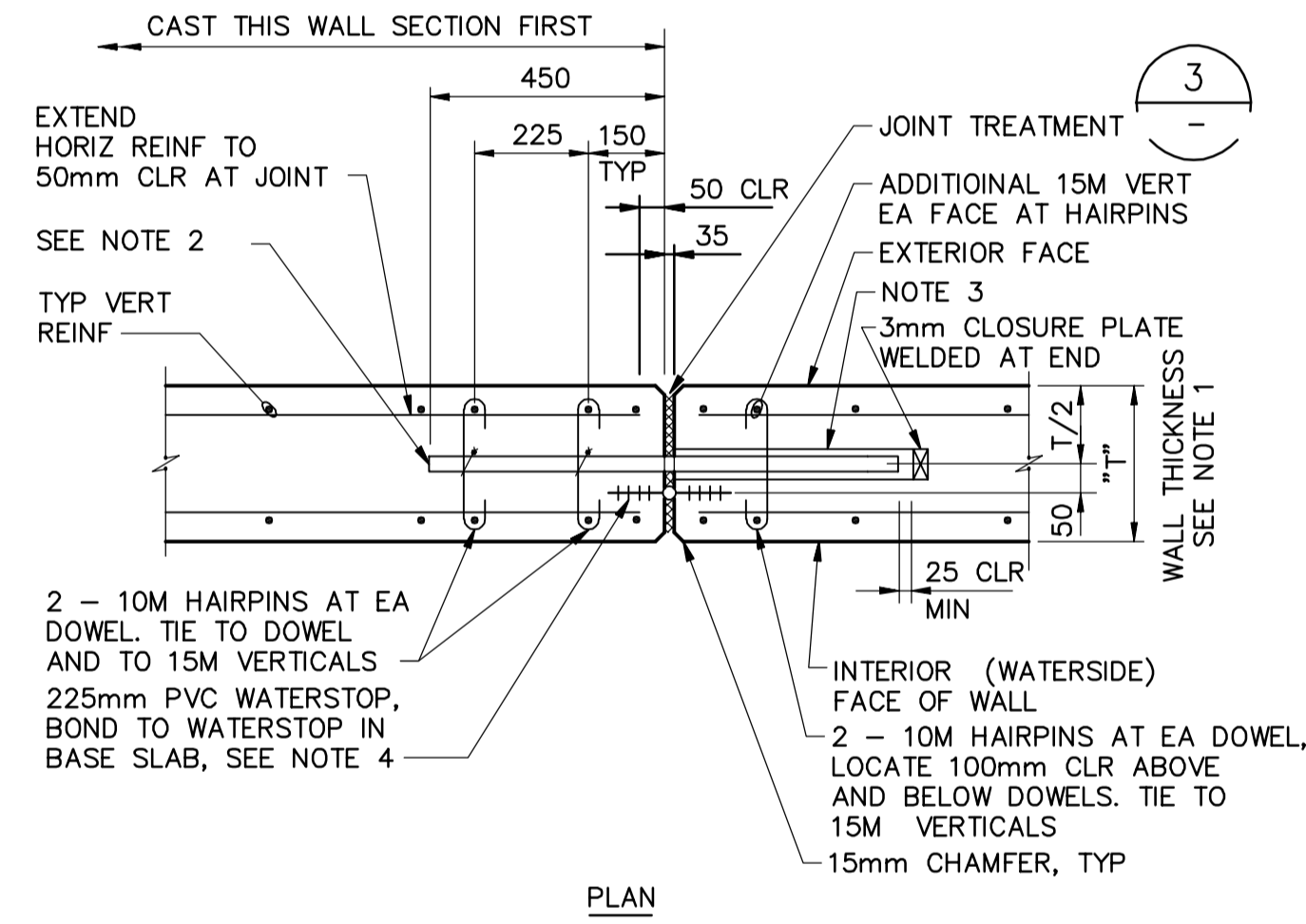
(2) BASE SLAB EXPANSION JOINT
N.T.S.



NOTE:

ATTACH PREMOLDED JOINT FILLER WITH 65mm GALVANIZED NAILS @ 300mm SPACING EMBEDDED IN FIRST SLAB POUR.

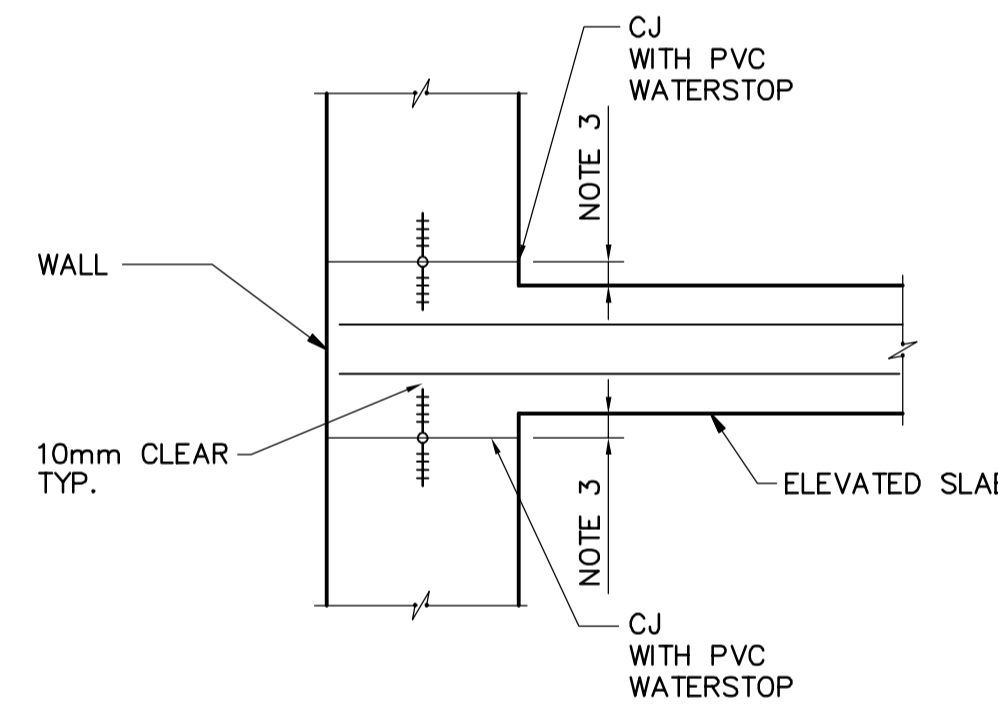
(3) SLAB EXPANSION JOINT TREATMENT
N.T.S.



NOTES:

- FOR WALLS WITH THICKNESS OF 250mm THRU 600mm. FOR 250mm WALLS LOCATE DOWELS 100mm FROM FACE OF WALL INSTEAD OF T/2 INDICATED.
- 25mm DIA x 900mm SMOOTH COATED BAR DOWELS. LOCATE AT 300mm MAX FROM TOP AND 600mm FROM BOTTOM OF WALL AND AT 600mm MAX SPACING. ALIGN AND TIE-IN-PLACE TO REINF. COATING SHALL CONSIST OF A CORROSION RESISTANT COATING PLUS A LUBRICANT COATING AS SPECIFIED.
- GALVANIZED STEEL PIPE SLEEVE 33.4 O.D. 3.38 FILLED WITH GREASE.
- BEND VERTICAL JOINT WATERSTOP OVER TO CENTERLINE OF WALL IN BOTTOM 600mm OF WALL, AND SPLICE TO WATERSTOP IN WALL BASE CONSTRUCTION JOINT. SEE (5) WB-S0455

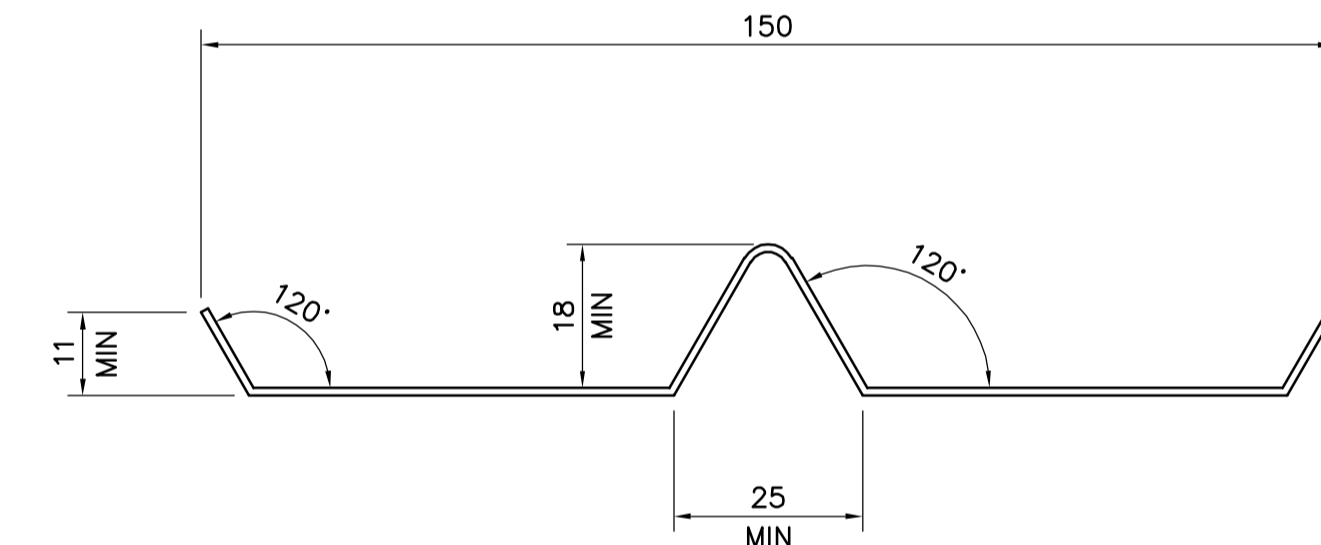
(4) WALL VERTICAL EXPANSION JOINT
N.T.S.



NOTE:

- FOR SLAB CONCRETE COVER, SEE (5) WB-S0451
- FOR SIZE OF WATERSTOP SEE (1) WB-S0456
- PROVIDE HEIGHT SUCH THAT 10mm CLEARANCE IS MAINTAINED BETWEEN REBAR & EDGE OF WS TYP.

(5) WALL CONSTRUCTION JOINT AT ELEVATED SLAB
N.T.S.



NOTES:

- USE MITRE CUT AND SPLICE BY TIG WELDING AT ALL DIRECTIONAL CHANGES AND INTERSECTIONS TO MAINTAIN CONTINUITY OF THE OUTSIDE FLANGE AND "V" EXPANSION ZONE.
- SEE SPLICE DETAIL (2) SIM WB-S0456
- WATERSTOP CORNERS AND INTERSECTIONS ARE FABRICATED IN SUPPLIER'S SHOP.
- FOLLOW SUPPLIER'S INSTALLATION PROCEDURES.

(6) STAINLESS STEEL WATERSTOP
N.T.S.

| | | | | | | | |
|---|------------------------------------|---------------------------------------|---|-----------------|---|---|---------------------------------|
| <p>Certificate of Authorization CH2M HILL Canada Ltd. No. 1441 Expiry: April 30, 2006</p> | B.M. ELEV. | <p>Frederickson Cooper ARCHITECTS</p> | <p>A Geo International Ltd. Company</p> | ENGINEER'S SEAL | <p>THE CITY OF WINNIPEG WATER AND WASTE DEPARTMENT ENGINEERING DIVISION</p> | | |
| | | | | DESIGNED BY DK | | CHECKED BY AP | ORIGINAL SIGNED BY D. KRUGER |
| | | | | DRAWN BY PT | | APPROVED BY DJT | 2006/02/06 |
| | | | | SCALE: NTS | | RELEASED FOR CONSTRUCTION BY: R. SOROKOWSKI | CONSULTANT DRAWING NO. WB-S0453 |
| | 00 ISSUED FOR TENDER 2006/02/03 DK | DATE 2005/08/31 | DATE 2006/02/08 | | <p>WATER TREATMENT PLANT</p> <p>FOUNDATIONS AND CONCRETE STRUCTURES</p> <p>STRUCTURAL</p> <p>STANDARD DETAILS</p> | | |
| | NO. REVISIONS | DATE | BY | | <p>CITY FILE NUMBER</p> <p>SHEET OF</p> <p>CITY DRAWING NUMBER</p> <p>1-060B-A-S0453-001-00D</p> | | |