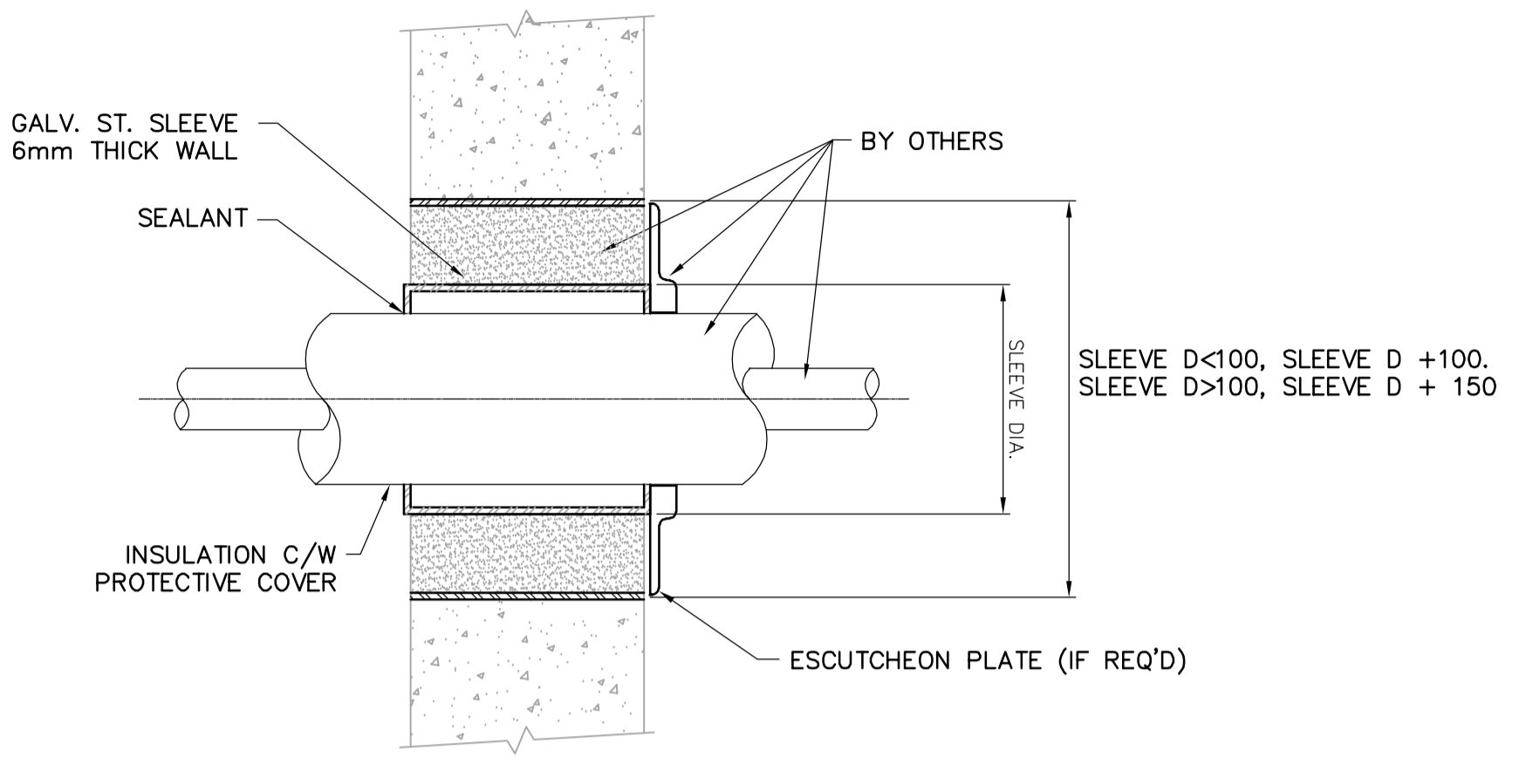


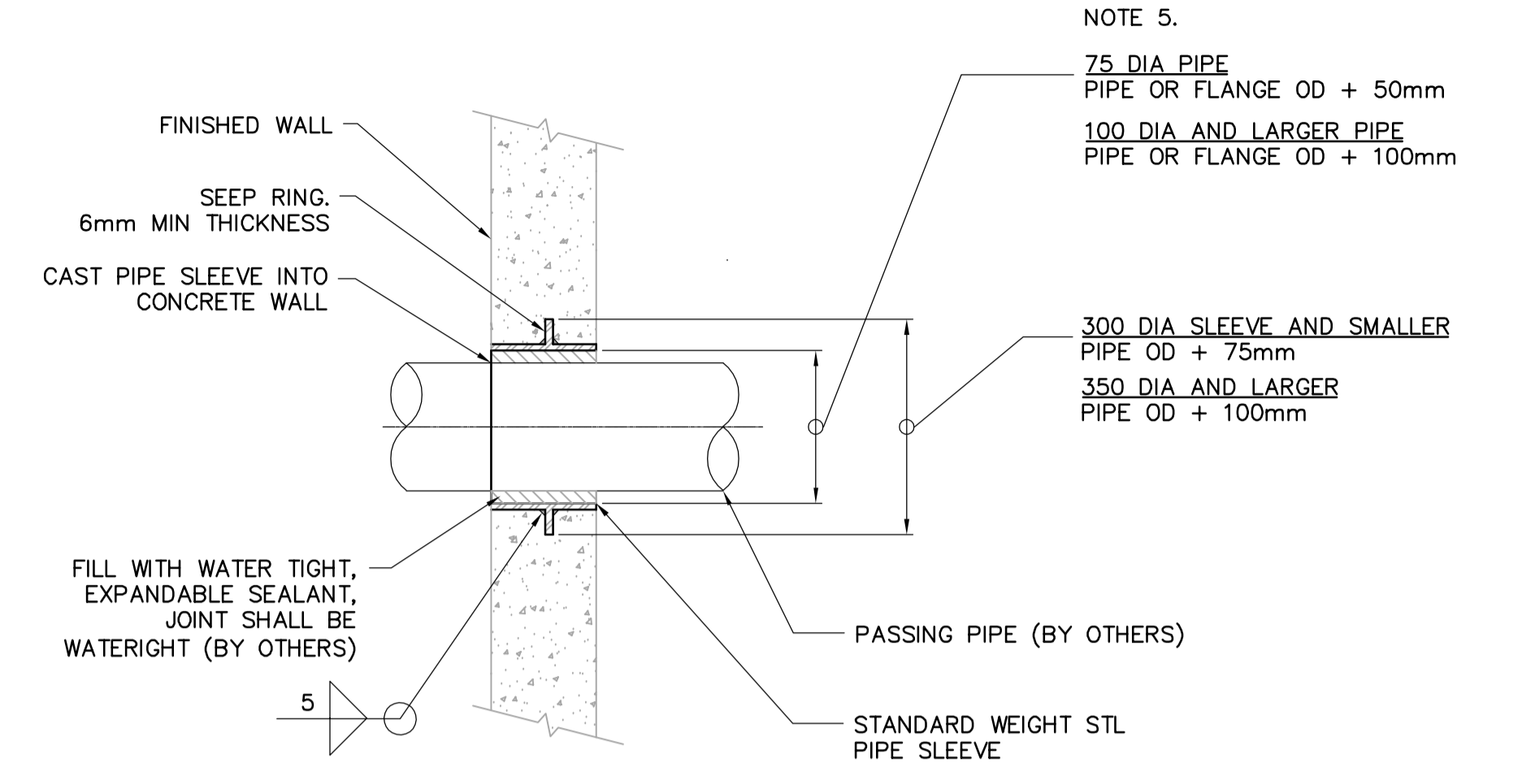
APPLICATION NOTES:
 1. LESS THAN 75mm NOMINAL I.D.
 2. ALLOW TRANSVERSE MOVEMENT

7 WALL PENETRATION NO. 7
 - N.T.S.

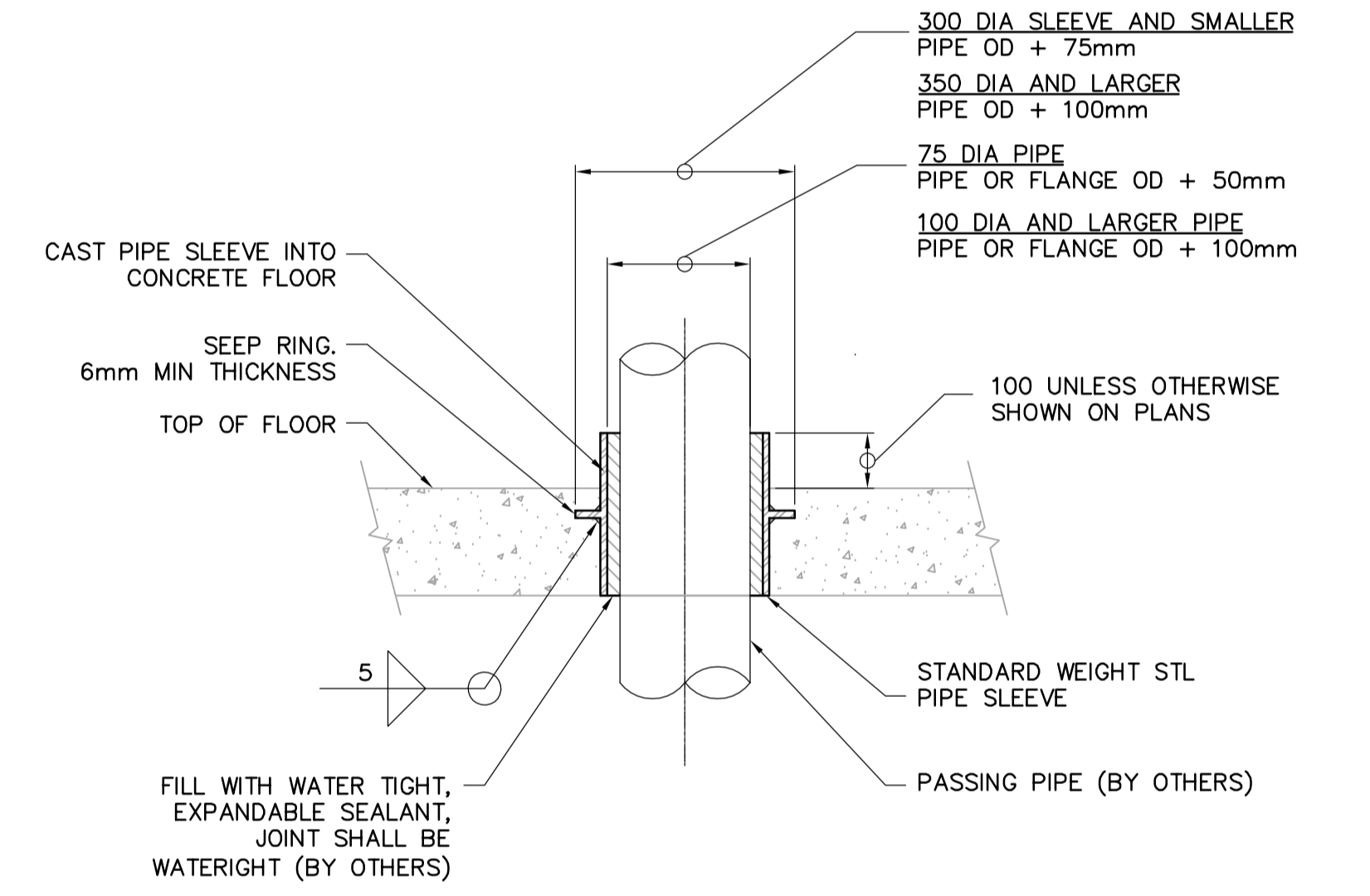


APPLICATION NOTES:
 1. INSULATED PIPE
 2. DO NOT PROVIDE SUPPORT TO PIPE THROUGH THIS WALL PENETRATION.

8 WALL PENETRATION NO. 8
 - N.T.S.



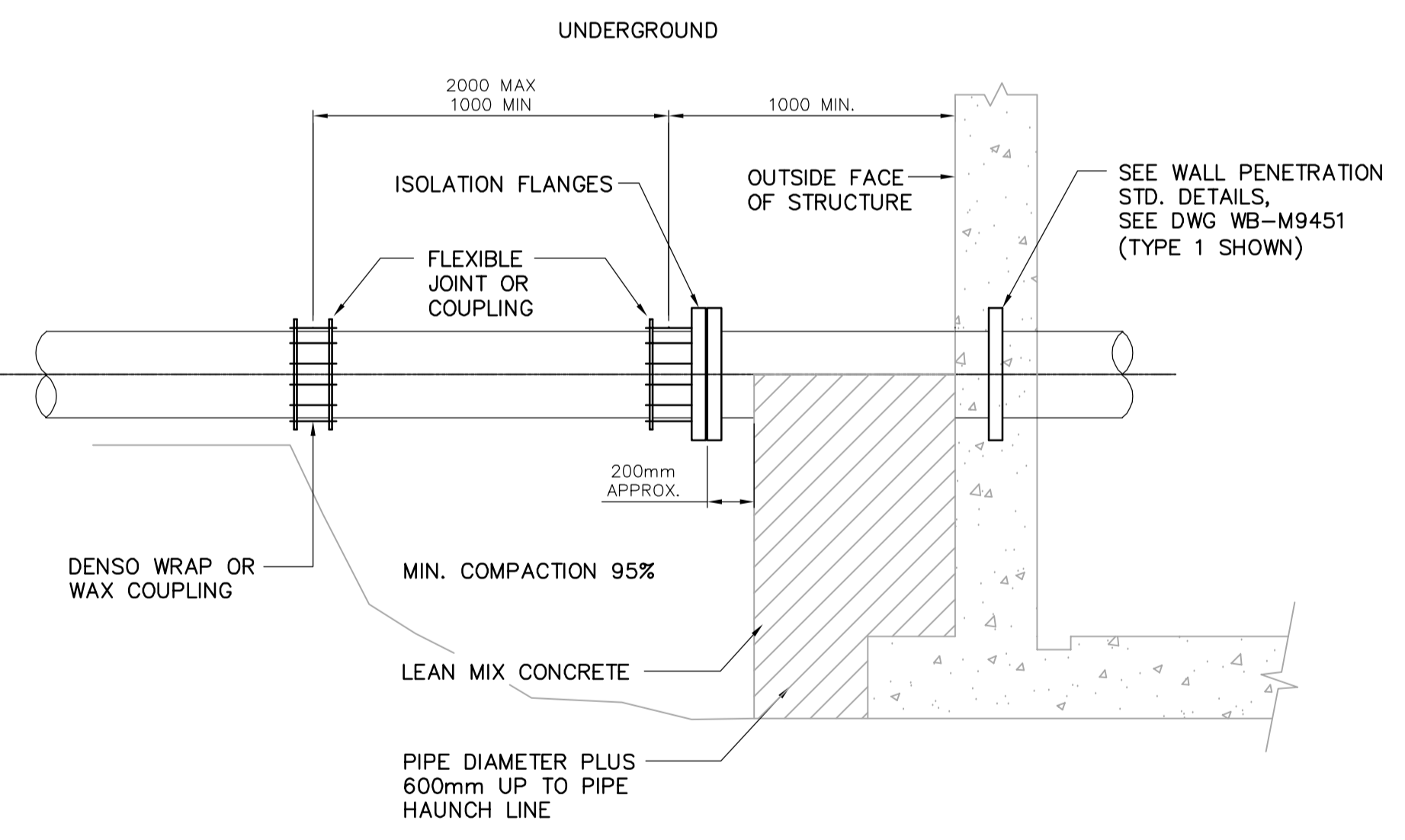
WALL SLEEVE



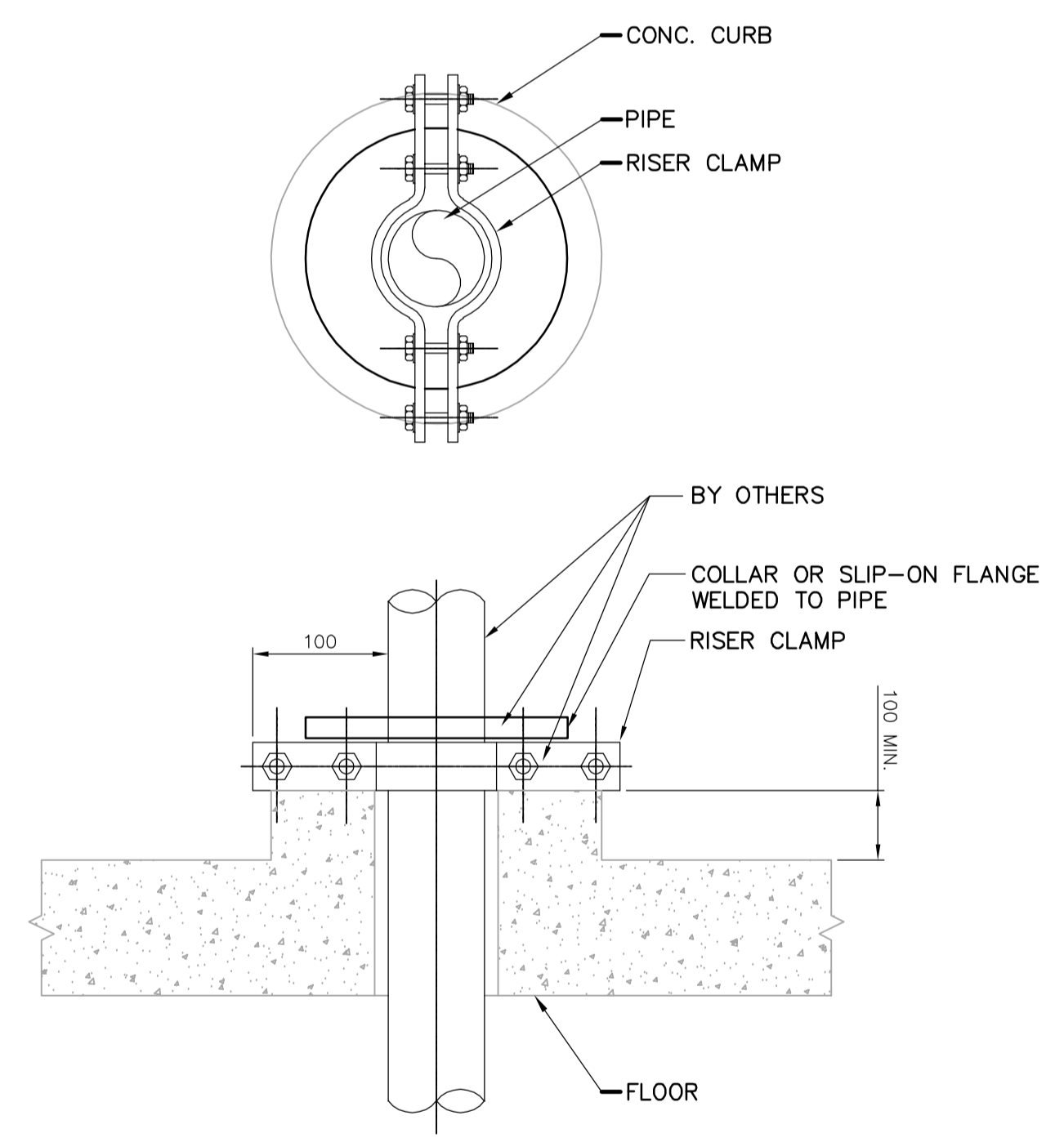
FLOOR SLEEVE

NOTES:
 1. COAT SLEEVE WITH SPECIFIED PAINT SYSTEM BEFORE CONCRETE PLACEMENT
 HOT DIP GALVANIZE IF NO COATING IS SPECIFIED.
 2. PROVIDE WATERPROOF FIRE STOPPING FOR FIRE RATED FLOOR/WALL CONDITION. (BY OTHERS)
 3. SEE ARCHITECTURAL DRAWINGS FOR THE TYPE OF FIRE SEPARATION.
 4. DO NOT USE WHERE SUBJECT TO HYDROSTATIC PRESSURE.
 5. SLEEVE SIZE AS SHOWN HERE UNLESS OTHERWISE SHOWN IN EMBEDMENT SCHEDULE.

9 WALL AND FLOOR SLEEVE
 - N.T.S.



10 CONNECTION TO STRUCTURE UNDERGROUND PIPE
 - N.T.S.



11 VERTICAL FLOOR PENETRATION SUPPORT
 - N.T.S.

<p>Certificate of Authorization CH2M HILL Canada Ltd. No. 1441 Expiry: April 30, 2006</p>	B.M. ELEV.	<p>Frederickson Cooper ARCHITECTS</p>	<p>A Geo International Ltd. Company</p>	ENGINEER'S SEAL	<p>THE CITY OF WINNIPEG WATER AND WASTE DEPARTMENT ENGINEERING DIVISION</p>				
				DESIGNED BY DC		CHECKED BY JS	ORIGINAL SIGNED BY P. WOBMA		
				DRAWN BY EK		APPROVED BY DJT	2006/02/06		
				SCALE: NONE		RELEASED FOR CONSTRUCTION BY: R. SOROKOWSKI	CONSULTANT DRAWING NO. WB-M9452		
	NO. REVISIONS	DATE	BY	DATE	2005/09/12	DATE	2006/02/08	WATER TREATMENT PLANT MAIN BUILDING FOUNDATIONS AND CONCRETE STRUCTURES PROCESS MECHANICAL STANDARD DETAILS	CITY FILE NUMBER SHEET OF CITY DRAWING NUMBER 1-060B-A-M9452-001-00D