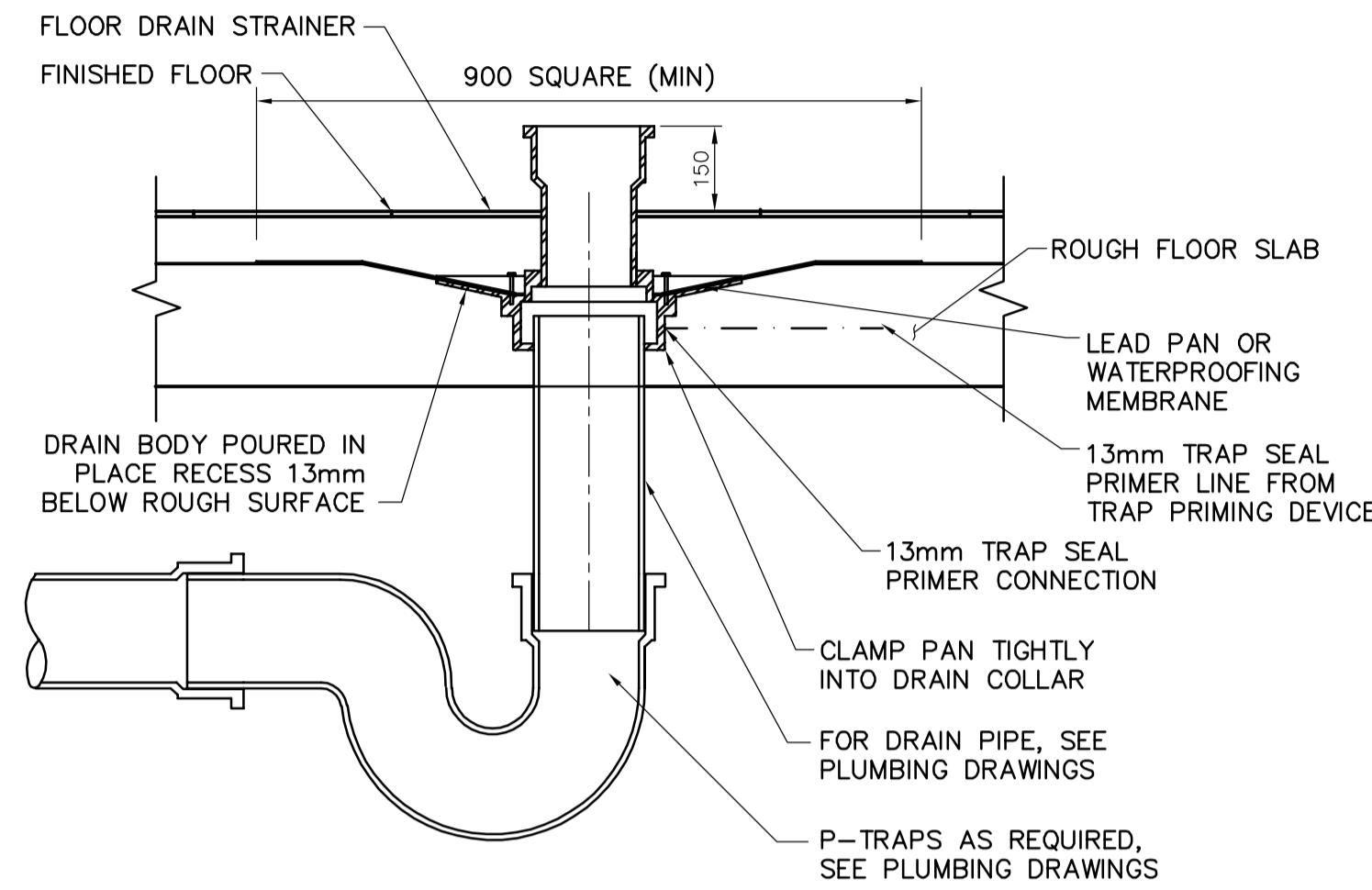


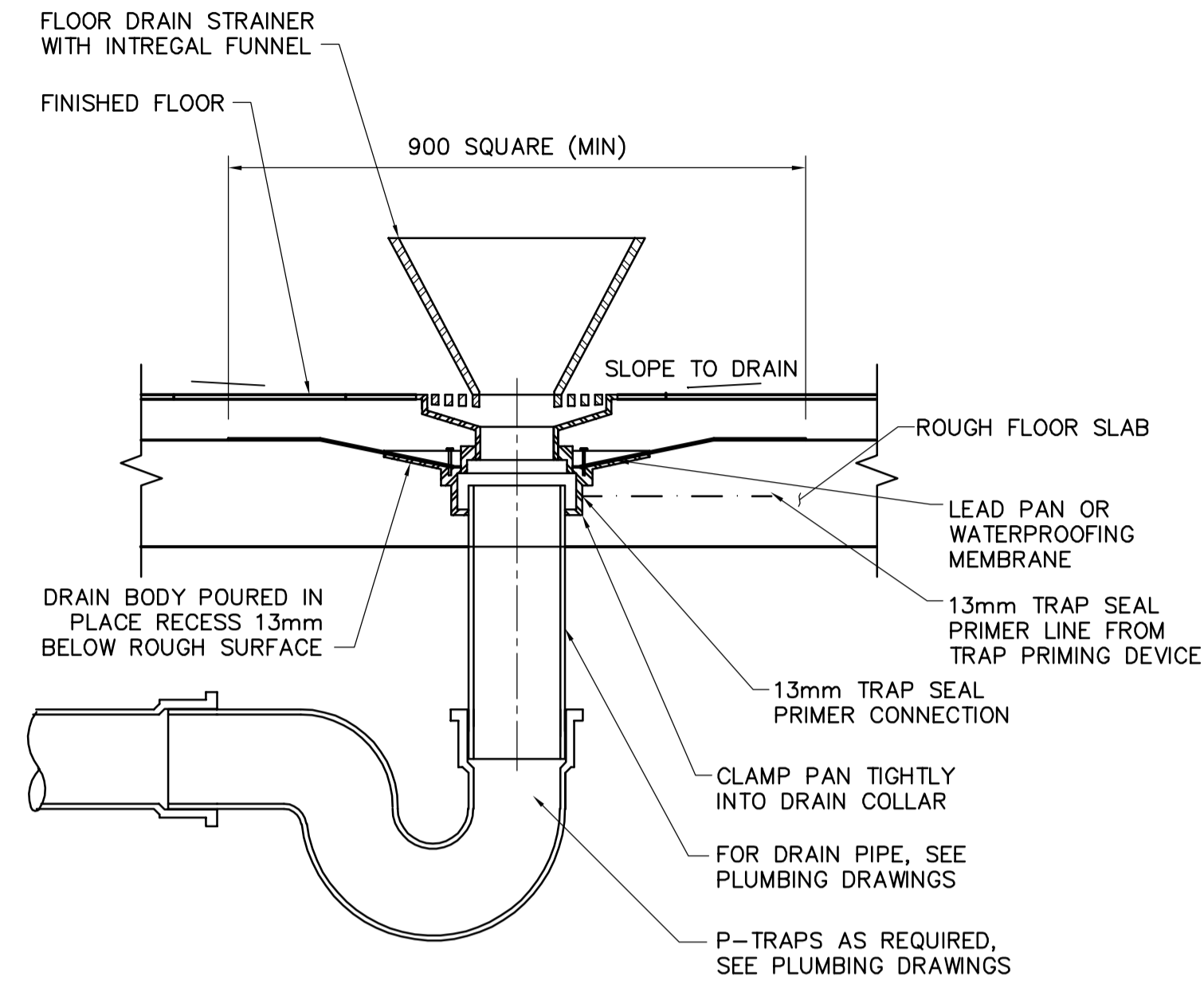
NOTE: LEAD PAN OR MEMBRANE APPLIES TO ALL SHOWER ROOMS & DRAINS ABOVE FIRST FLOOR

1 FLOOR DRAIN (FD-1) AND (FD-2)  
N.T.S.



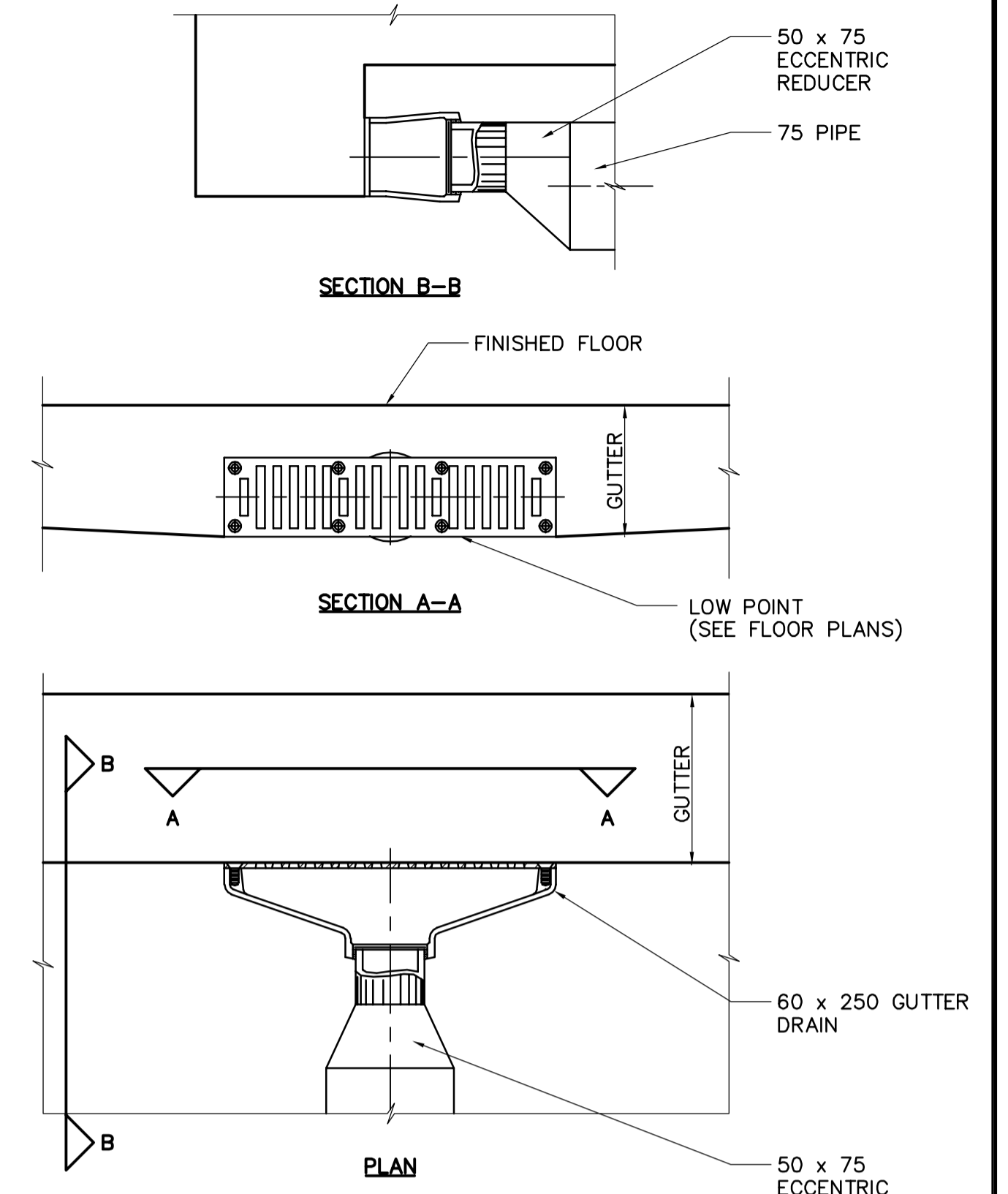
NOTE: LEAD PAN OR MEMBRANE APPLIES TO ALL SHOWER ROOMS & DRAINS ABOVE FIRST FLOOR

2 HUB DRAIN (FD-2)  
N.T.S.

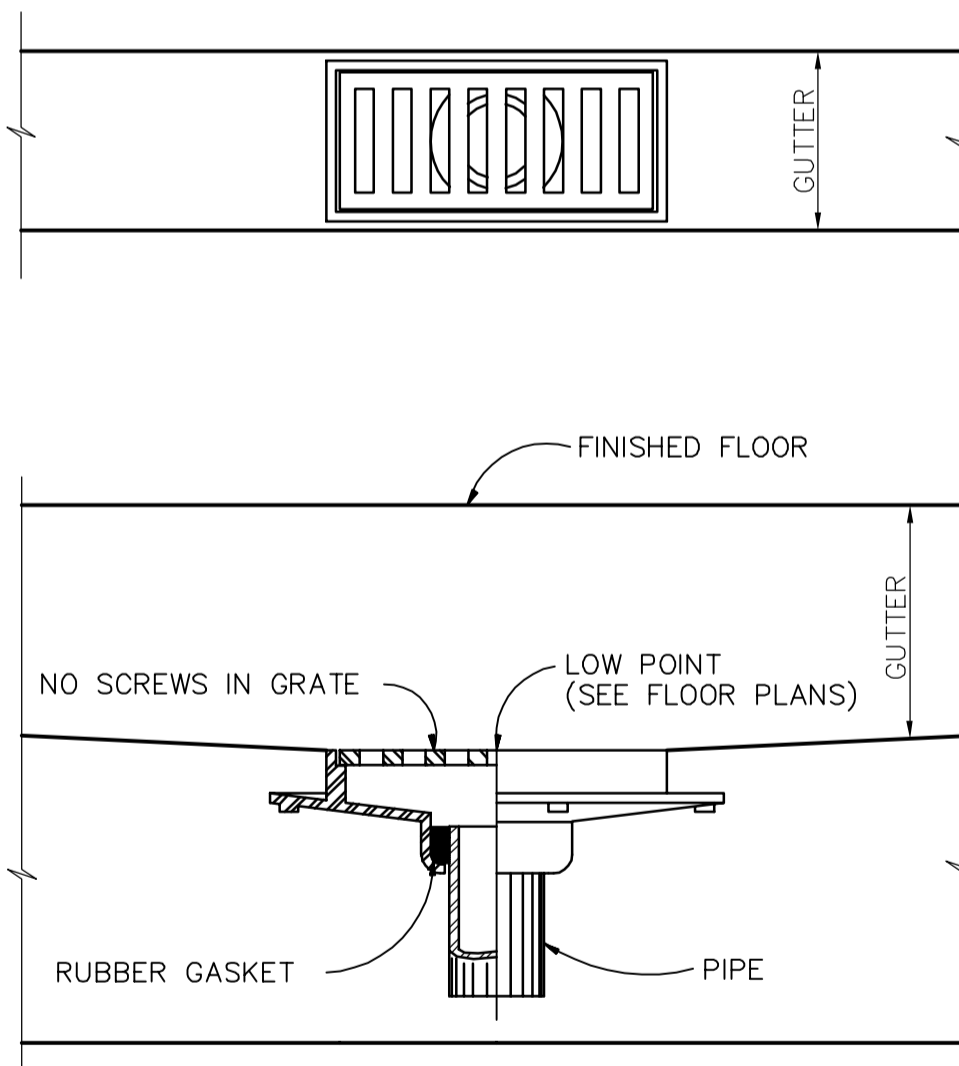


NOTE: LEAD PAN OR MEMBRANE APPLIES TO ALL SHOWER ROOMS & DRAINS ABOVE FIRST FLOOR

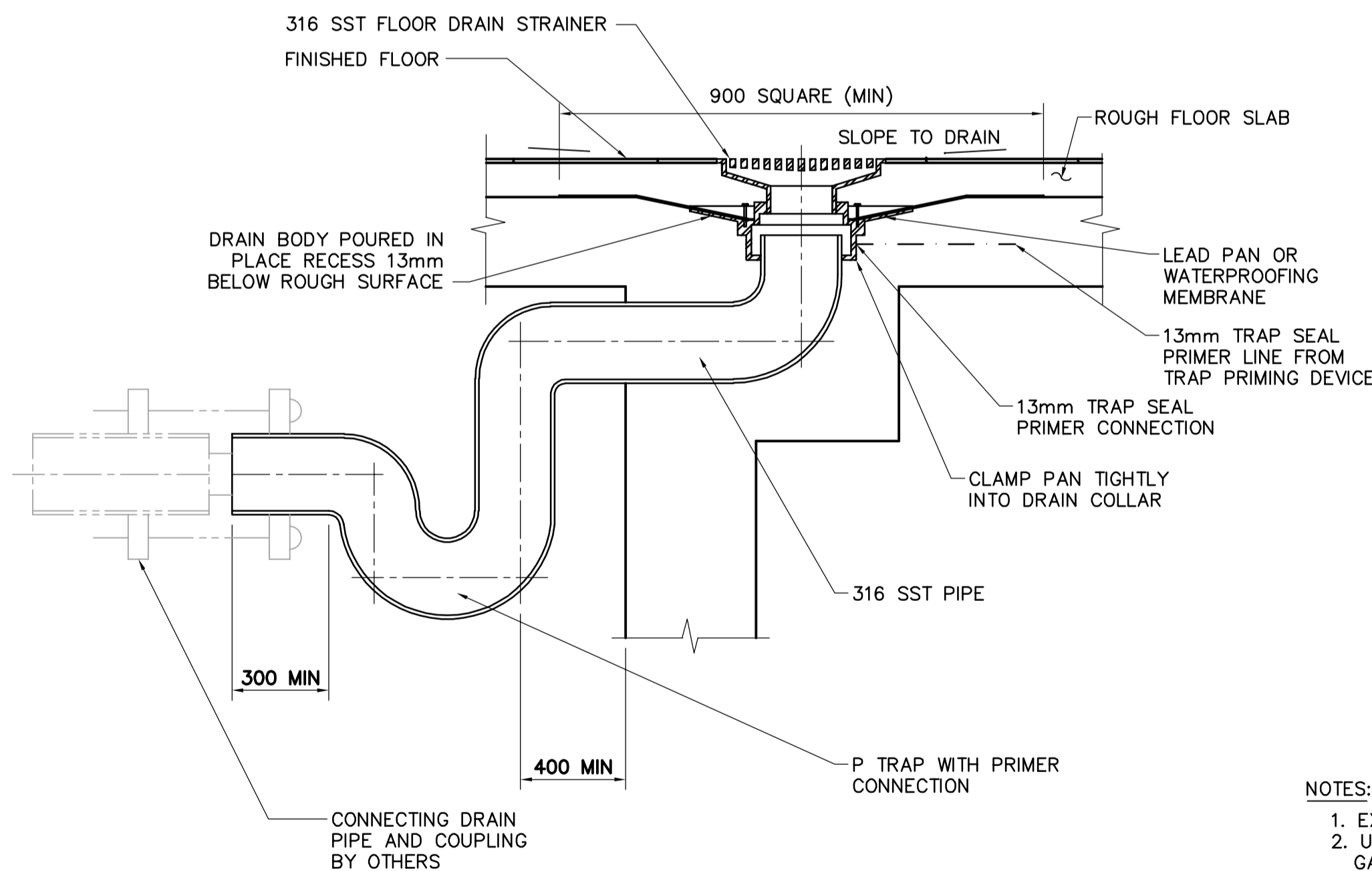
3 FLOOR DRAIN W/ FUNNEL (FD-3)  
N.T.S.



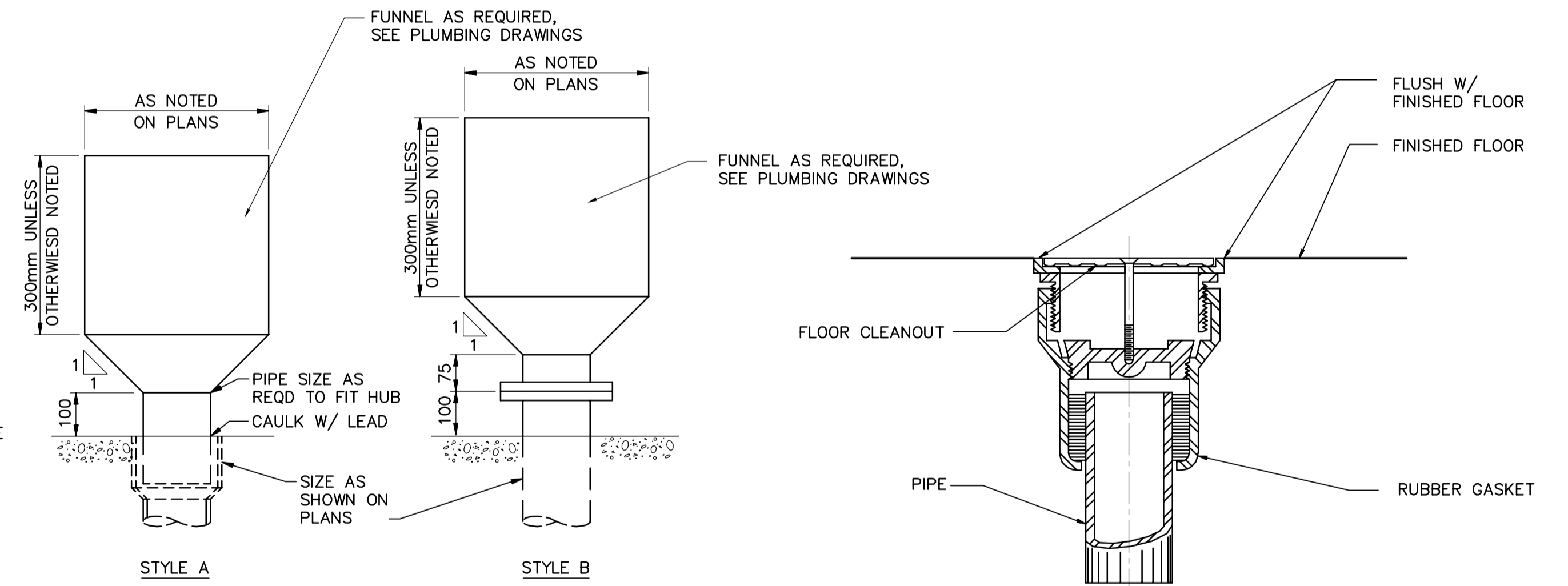
4 GUTTER DRAIN (FD-4)  
N.T.S.



5 GUTTER DRAIN (FD-5)  
N.T.S.



6 OZONE ROOM FLOOR DRAIN (FD-6)  
N.T.S.



NOTES:  
1. EXTEND DRAINAGE PIPES INTO FUNNEL UNLESS OTHERWISE NOTED.  
2. UNLESS SHOWN OTHERWISE, FABRICATE FUNNEL FROM SCHEDULE 10 STEEL PIPE. HOT DIP GALVANIZE AFTER FABRICATION.

7 FUNNEL DRAIN (FD-7)  
N.T.S.

8 FLOOR CLEANOUT (CO)  
N.T.S.

 Certificate of Authorization CH2M HILL Canada Ltd. No. 1441 Expiry: April 30, 2006	B.M. ELEV.	 Frederickson Cooper ARCHITECTS	 A Veolia International Ltd. Company	ENGINEER'S SEAL ORIGINAL SIGNED BY D.K. CUDDINGTON 2006/02/06	 THE CITY OF WINNIPEG WATER AND WASTE DEPARTMENT ENGINEERING DIVISION WATER TREATMENT PLANT FOUNDATIONS AND CONCRETE STRUCTURES PLUMBING STANDARD DETAILS	CITY FILE NUMBER
	00 ISSUED FOR TENDER 2006/02/03 SW	DESIGNED BY JZ/SW DRAWN BY JMcP SCALE: NTS	CHECKED BY DL APPROVED BY DJT RELEASED FOR CONSTRUCTION BY: R. SOROKOWSKI	SHEET OF		
	NO. REVISIONS DATE BY DATE	DATE 2005/08/02 DATE 2006/02/08	CONSULTANT DRAWING NO. WB-H9451	CITY DRAWING NUMBER 1-060B-A-H9451-001-00D		
	DATE 2005/08/02 DATE 2006/02/08	DATE 2005/08/02 DATE 2006/02/08	DATE 2005/08/02 DATE 2006/02/08	DATE 2005/08/02 DATE 2006/02/08		