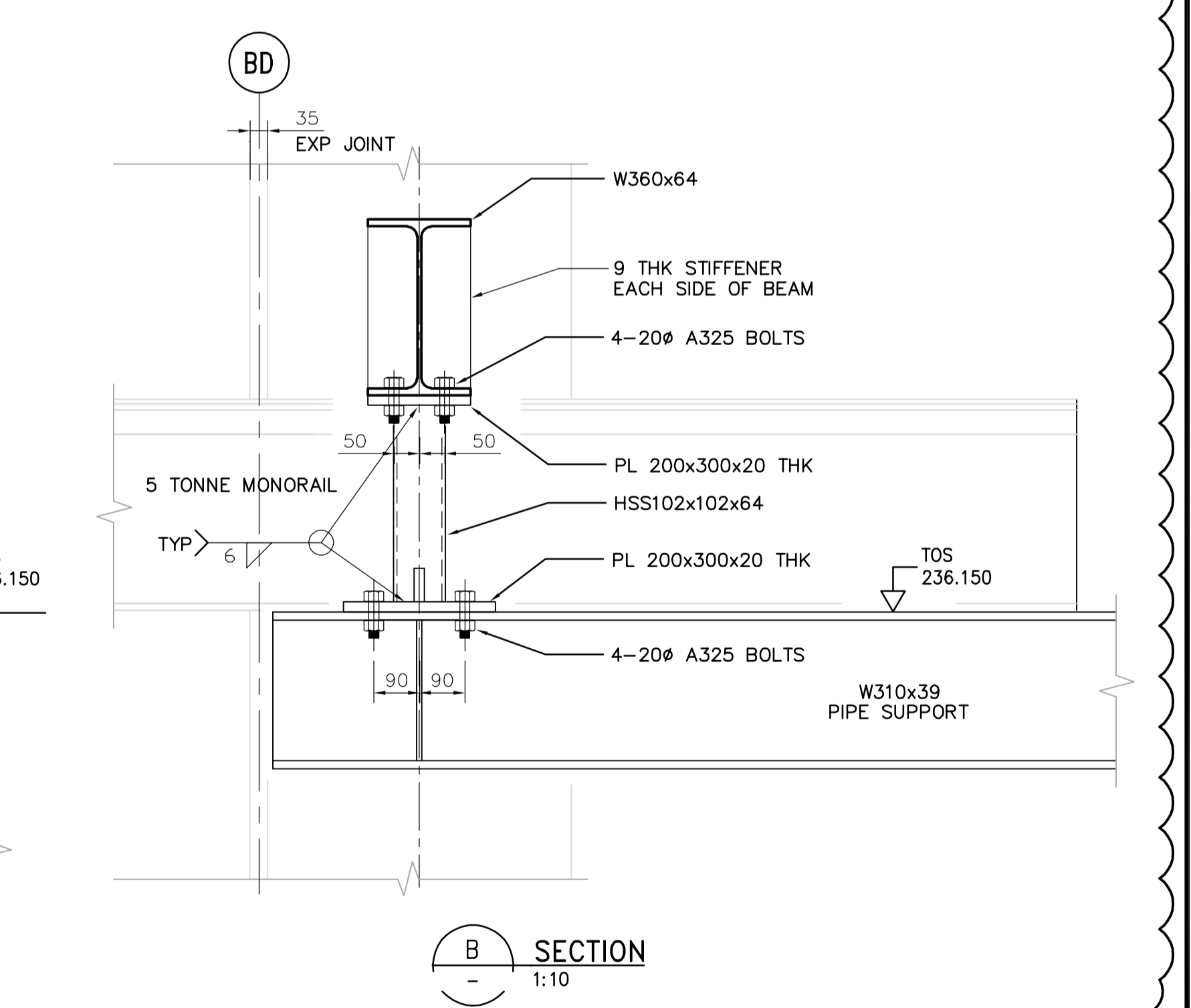
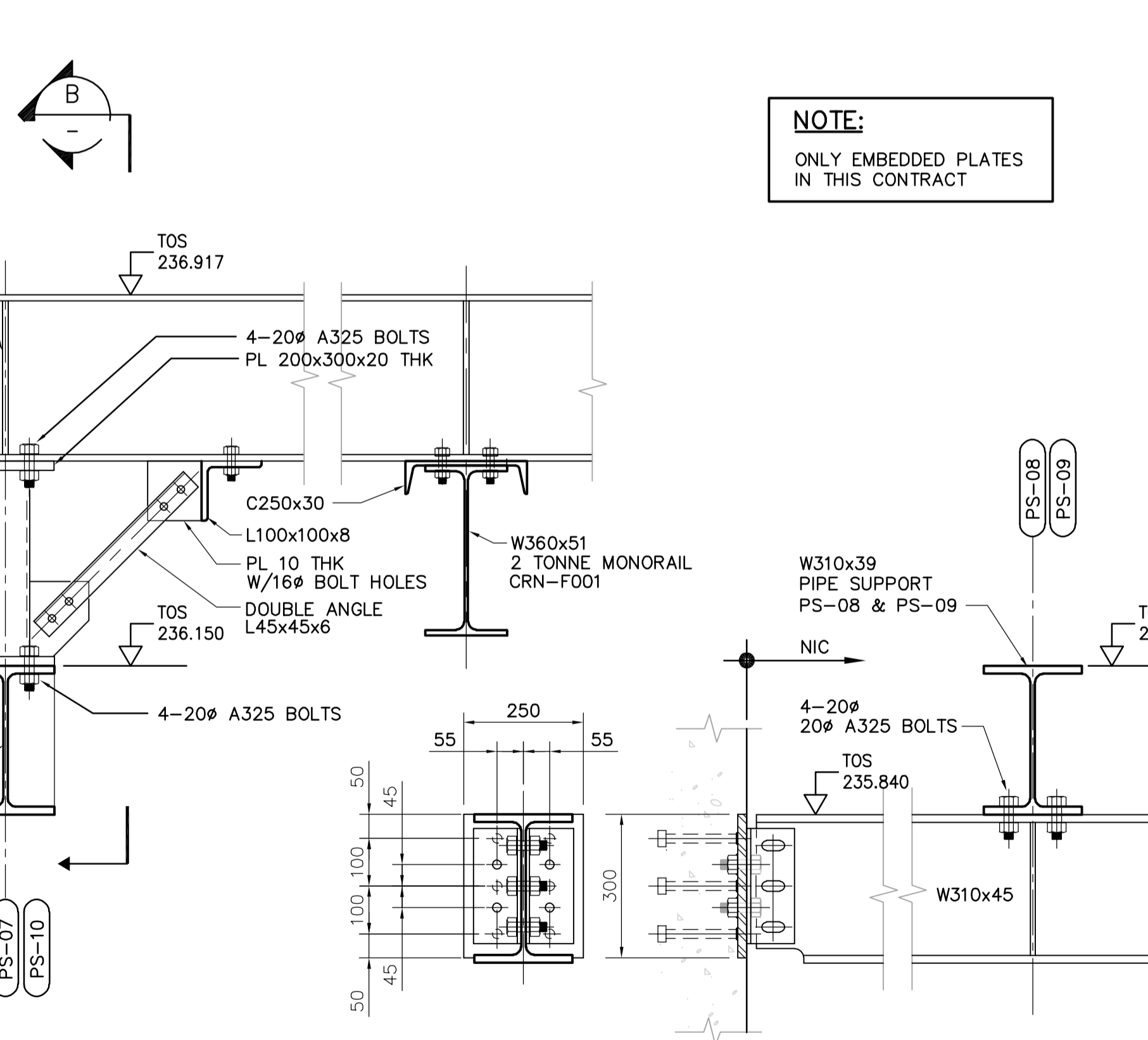


EMBEDDED PLATE TABLE

BEAM SIZE	EMBED PLATE	NELSON STUDS	N. STUDS SPACING	NOTE
W310	A=250 B=300 T=10	6-20Ø X 150	HOR=150 VERT=100	38 REQUIRED
W360	A=250 B=400 T=10	8-20Ø X 150	HOR=150 VERT=100	8 REQUIRED



NOTE:
 ONLY EMBEDDED PLATES IN THIS CONTRACT

 Certificate of Authorization CH2M HILL Canada Ltd. No. 1441 Expiry: April 30, 2006	 Frederickson Cooper ARCHITECTS	 A Terra International Ltd. Company	ENGINEER'S SEAL ORIGINAL SIGNED BY D. KRÜGER 2006/02/06	 THE CITY OF WINNIPEG WATER AND WASTE DEPARTMENT ENGINEERING DIVISION WATER TREATMENT PLANT FILTRATION FOUNDATIONS AND CONCRETE STRUCTURES STRUCTURAL FILTRATION AREA DETAILS	CITY FILE NUMBER SHEET OF
			CONSULTANT DRAWING NO. WF-S0406		CITY DRAWING NUMBER 1-060F-A-80406-001-0D