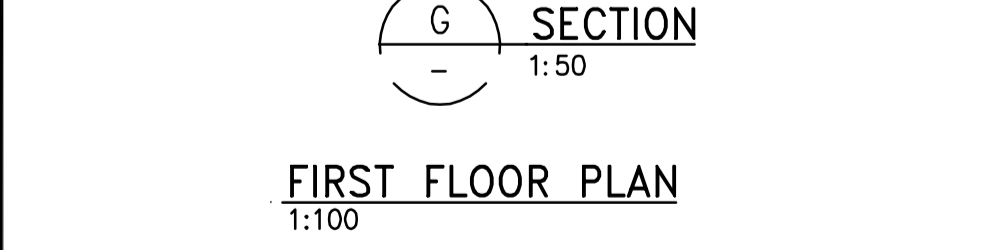
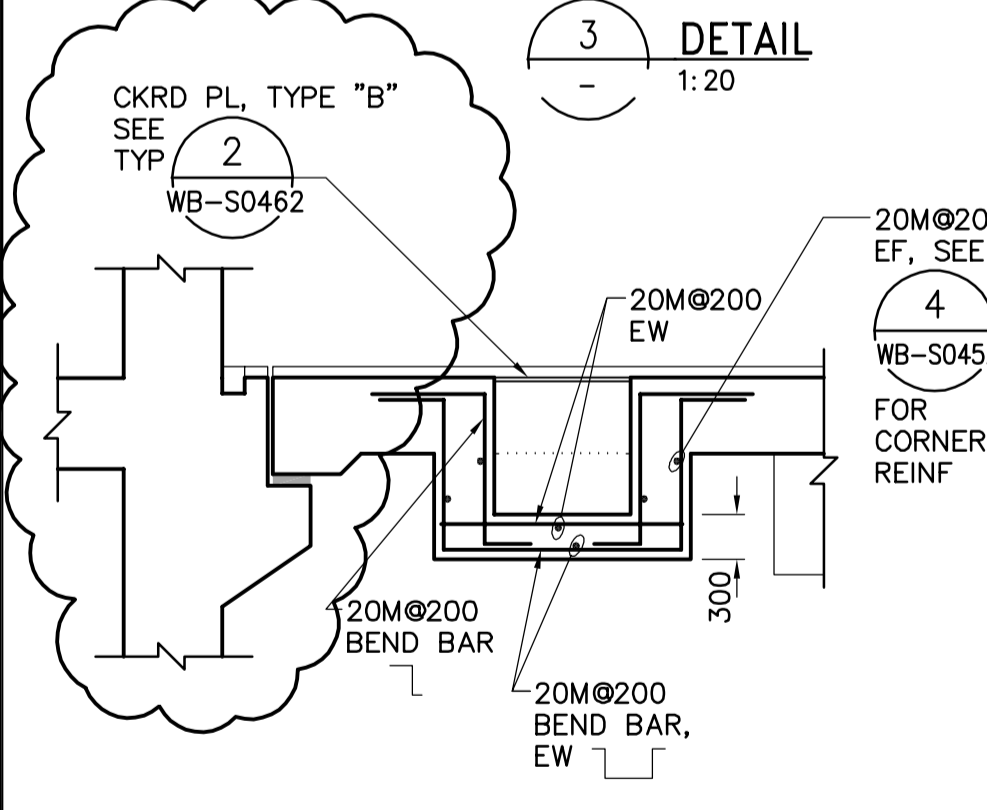
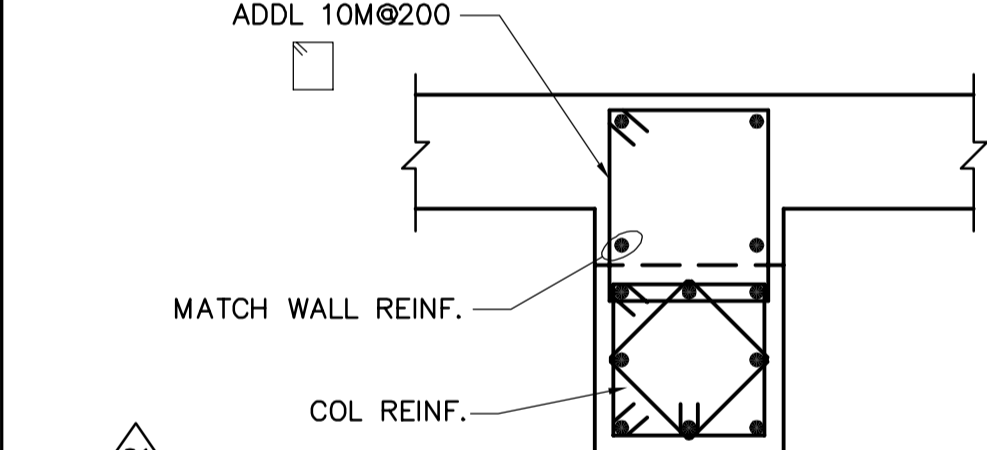
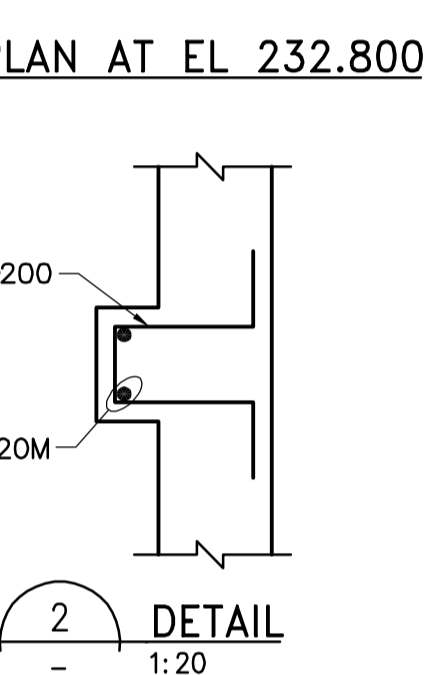
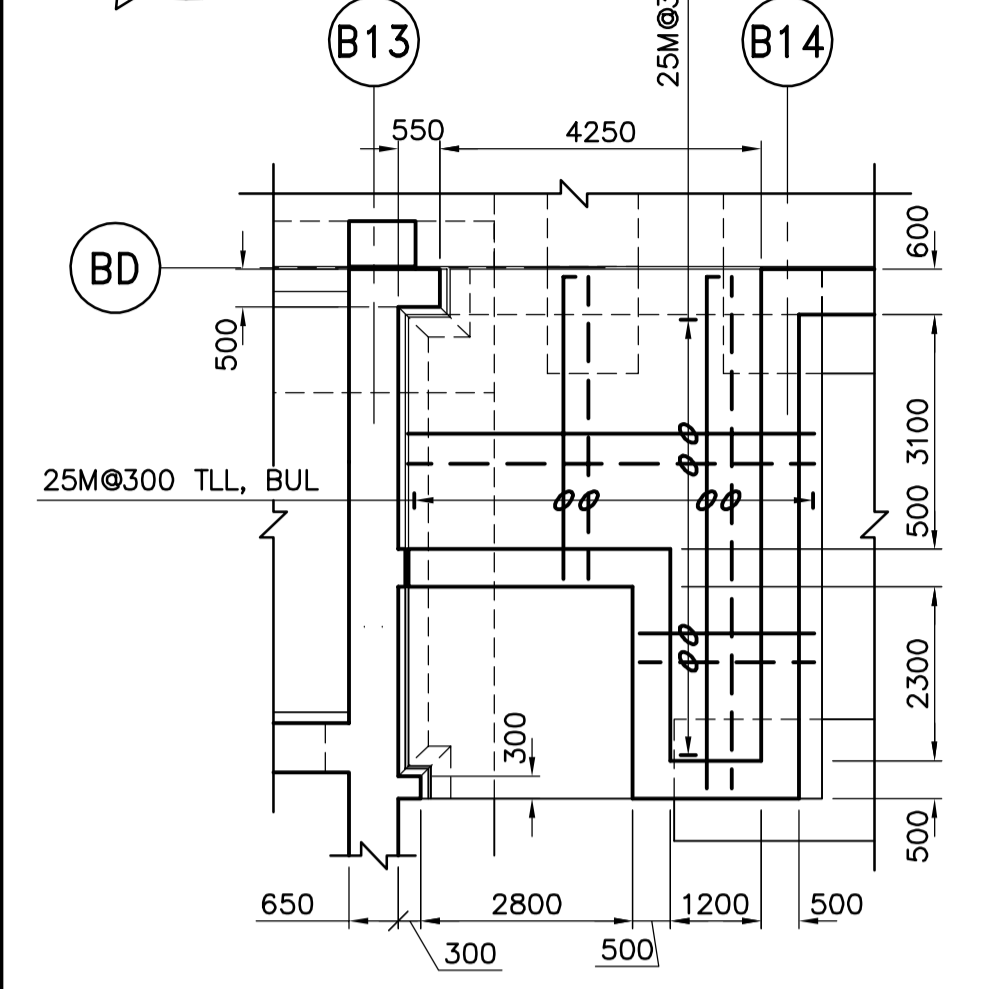
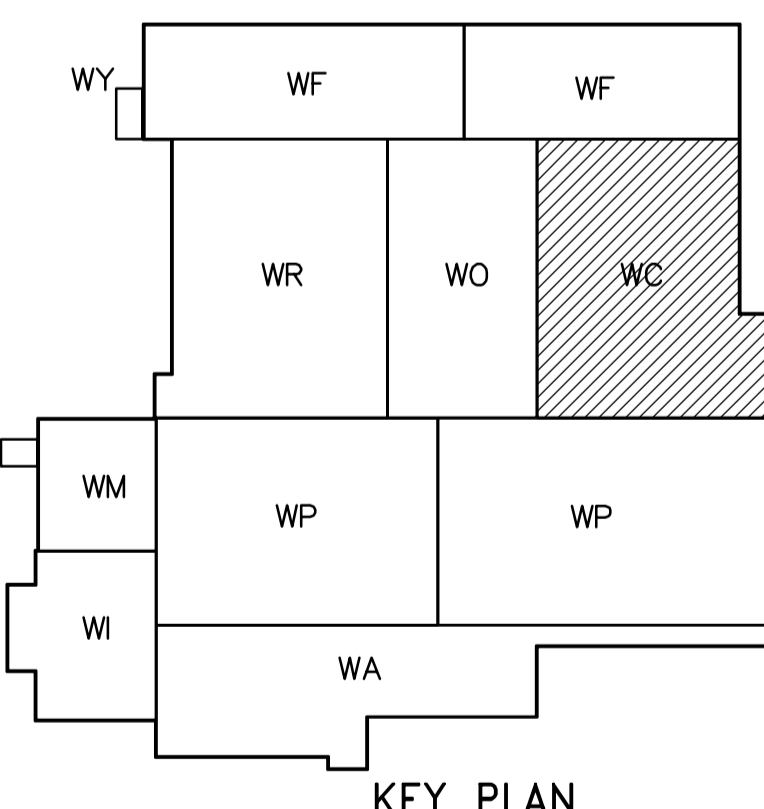


- NOTES:**
- FOR CORNER REINF SEE 4
 - DESIGN LIVE LOAD IS 14.4 kPa.
 - FOR COLUMN SCHEDULE SEE DWG WC-S0515.
 - FOR WATER STOP REFER TO 1
 - ENCASE ALL PIPING UNDER BUILDING IN CONCRETE, SEE 1, 2, 4
 - APPROXIMATE LOCATION ONLY SHOWN FOR EQUIPMENT PADS.
 - PROVIDE CURBS FOR CMU WALLS INSTALLED IN SEPARATE CONTRACT. COORDINATE CURB WIDTH WITH CMU WALL WIDTH. FOR BIDDING PURPOSES ASSUME CURBS ARE 210mm WIDE.

REBAR LEGEND:

—	TOP BARS
- - -	BOTTOM BARS
- · - · -	DRAIN PIPE CENTERLINE



FIRST FLOOR PLAN
1:100

THE CITY OF WINNIPEG
WATER AND WASTE DEPARTMENT
ENGINEERING DIVISION

WATER TREATMENT PLANT
CHEMICAL FEED SYSTEMS
FOUNDATIONS AND CONCRETE STRUCTURES

STRUCTURAL
CHEMICAL AREA
FIRST FLOOR PLAN

CITY FILE NUMBER
SHEET OF
CITY DRAWING NUMBER
1-0601C-A-S011-001-0D

APECA
Certificate of Authorization
CH2M HILL Canada Ltd.
No. 1441 Expiry: April 30, 2006

CH2MHILL
Frederickson Cooper
ARCHITECTS

EarthTech
A Yoo International Ltd. Company

ENGINEER'S SEAL
ORIGINAL SIGNED BY
D. KRUGER
2006/02/06
CONSULTANT DRAWING NO.
WC-S0111

DESIGNED BY EL	CHECKED BY AP
DRAWN BY RL/DJ	APPROVED BY DJT
SCALE: 1:100	RELEASED FOR CONSTRUCTION BY: R. SOROKOWSKI
NO. REVISIONS	DATE BY

2005/07/04 DATE 2006/02/08