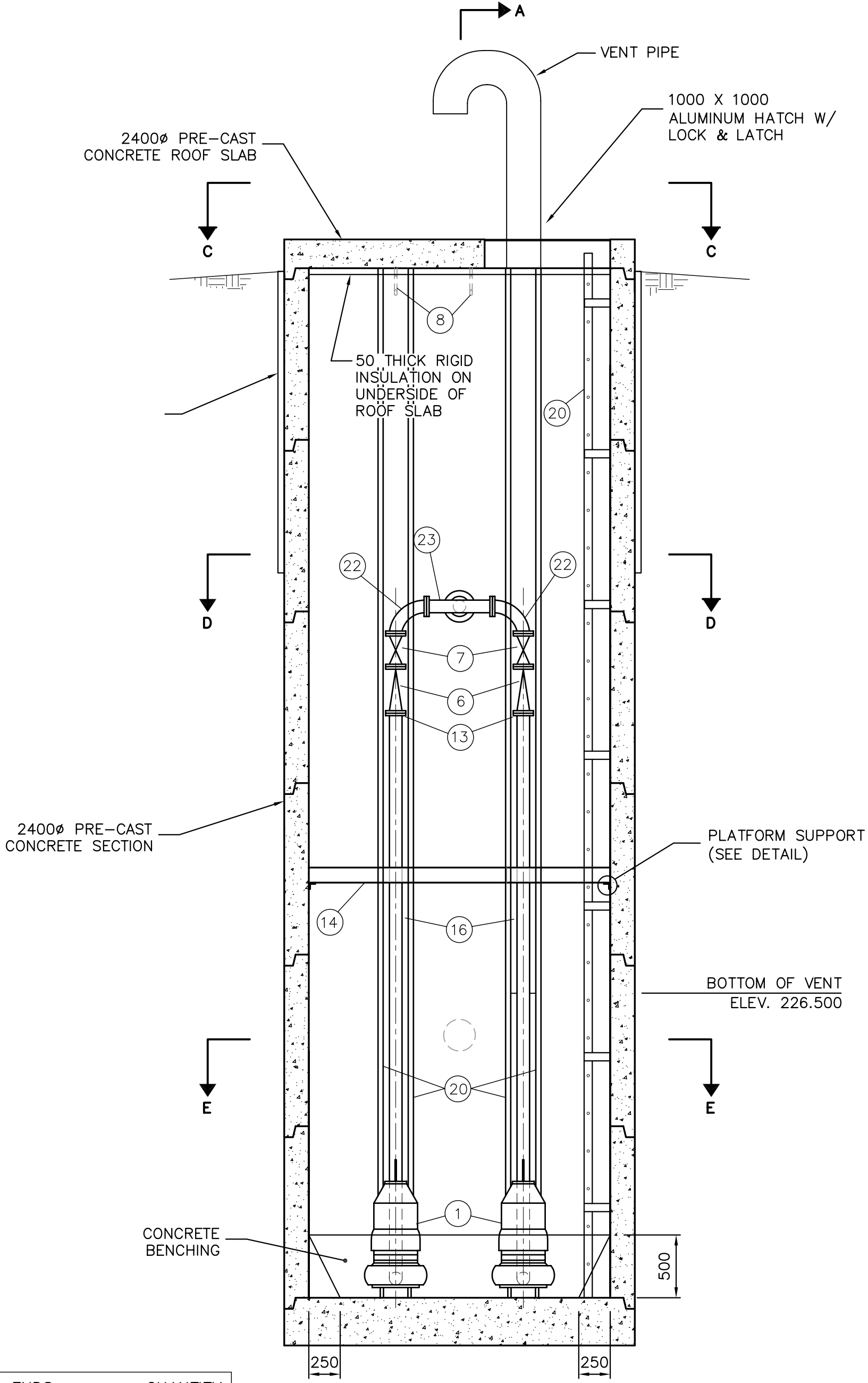
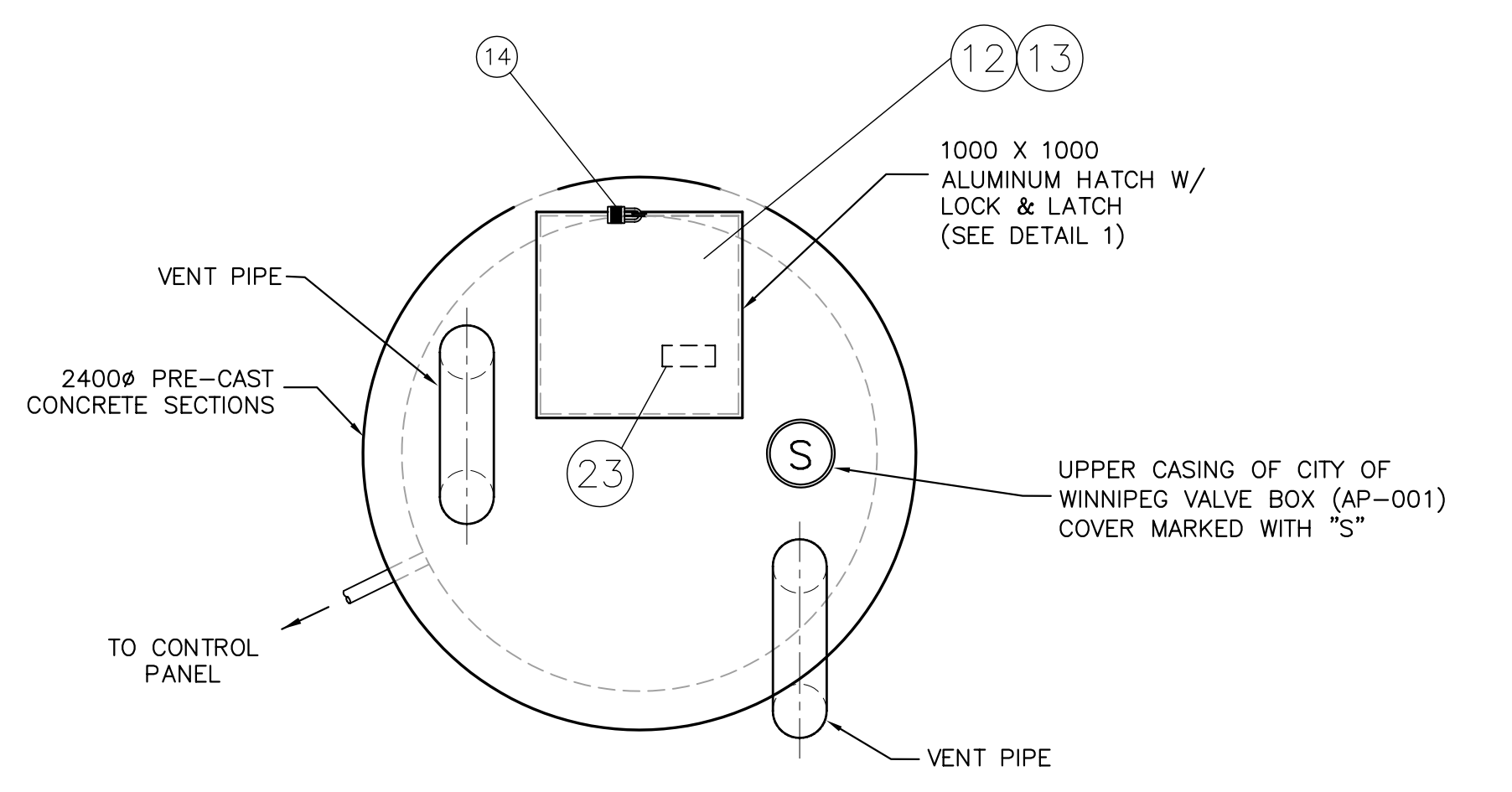


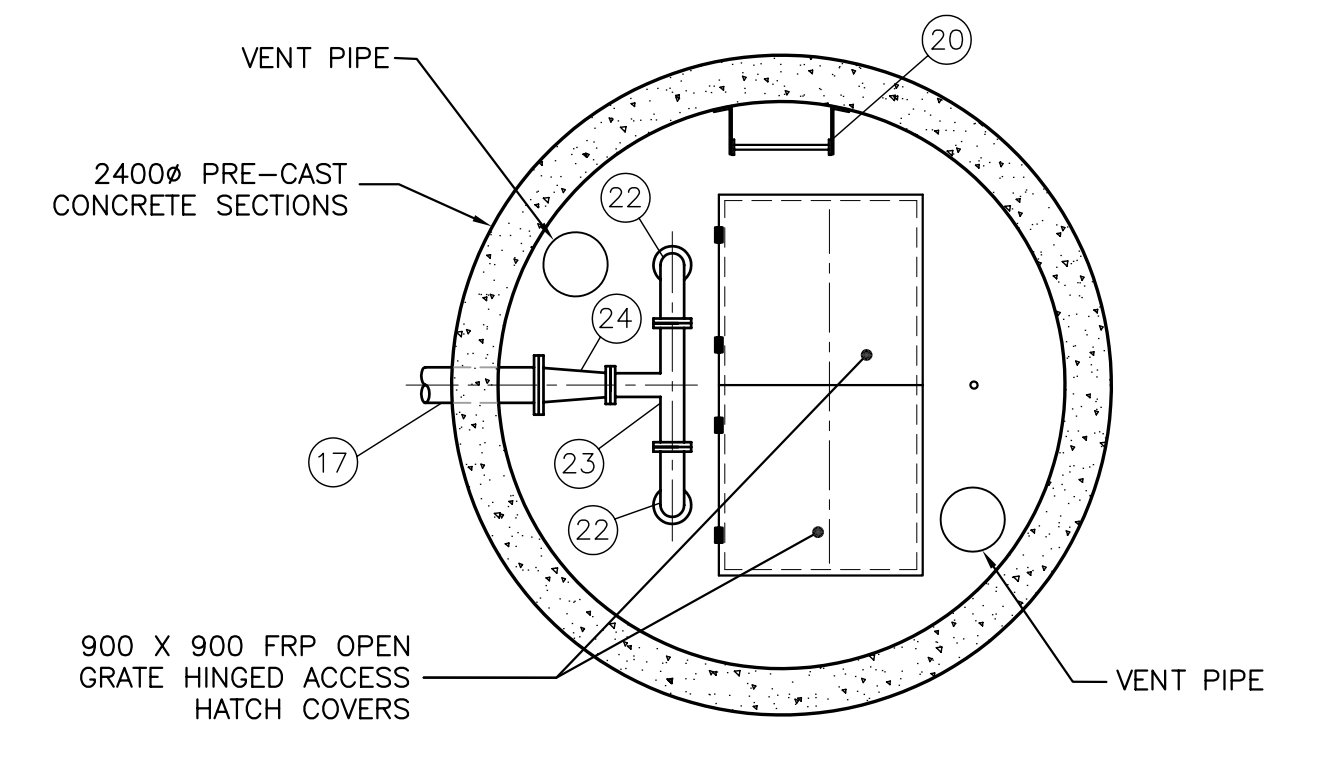
SECTION A-A
SCALE 1:30



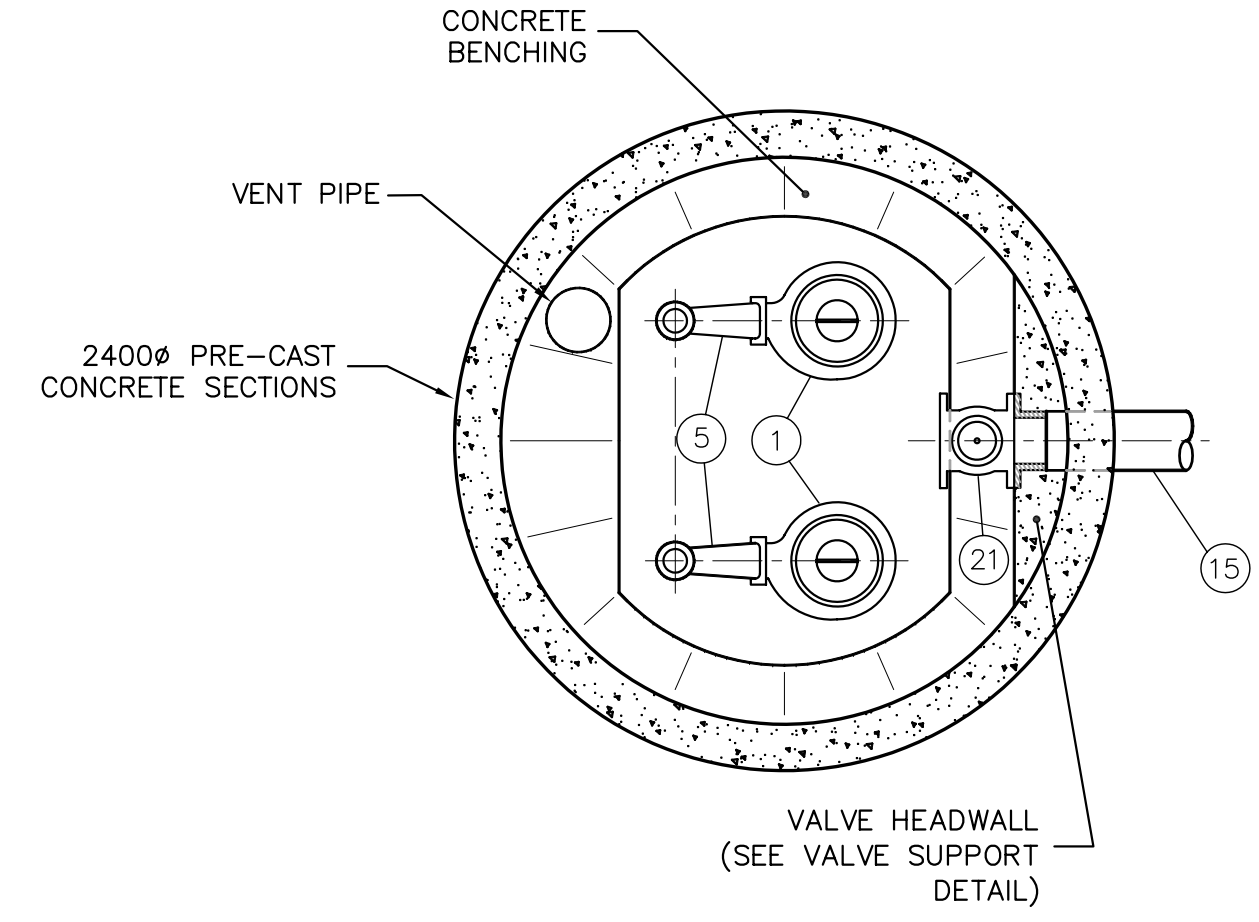
SECTION B-B
SCALE 1:30



TOP OF STATION SECTION C-C
SCALE 1:30



INTERMEDIATE PLATFORM SECTION D-D
SCALE 1:30



STATION BOTTOM SECTION E-E
SCALE 1:30

ITEM	DESCRIPTION	ENDS	QUANTITY
1	SUBMERSIBLE PUMP	-	2
2	PUMP CABLE	-	2
3	PUMP LIFTING CHAIN	-	2
4	CHAIN CONNECTOR ASSEMBLY	-	2
5	100# DISCHARGE BASE ELBOW	-	2
6	100# CHECK VALVE	FL X FL	2
7	100# GATE VALVE	FL X FL	2
8	CHAIN HOOK (SEE DETAIL)	-	2
9	LEVEL REGULATOR ENH-10	-	4
10	LEVEL REGULATOR HANGER	-	1
11	UPPER GUIDE BAR HOLDER	-	2
12	COVER STAY	-	2
13	OPEN POSITION LOCKING DEVICE	-	2
14	PADLOCK	-	1
15	INTERMEDIATE GUIDE BAR HOLDER	-	2
16	-	-	-
17	INTERMEDIATE PLATFORM	-	1
18	150# SCH 40 GALVANIZED STEEL VENT PIPE WITH 180° RETURN	-	2
19	100# DI PIPE	PE X FL	2
20	GUIDE BAR 50# SCH. 40 GALVANIZED (LOWER)	-	4
21	GUIDE BAR 50# SCH. 40 GALVANIZED (UPPER)	-	4
22	ALUMINUM LADDER	-	1
23	GAS WARNING LABEL	-	1
24	GALVANIZED SAFETY CHAIN 10#	-	1
25	SHACKLE	-	1
26	VALVE STEM EXTENSION	-	1
27	250# CI INLET GATE VALVE W/RISING STEM	FL X FL	1
28	2400# ID PRE-CAST CONCRETE SHELL	-	1
29	150# ZINC COATED 24 G SPIRAL VENT PIPING	-	2
30	100# UNI-FLANGE	-	2
31	100# ELBOW	FL X FL	2
32	100# X 100# X 100# TEE	-	1
33	150# X 100# REDUCER	FL X FL	1
34	100# REMOVABLE FLANGE	-	4

METRIC
WHOLE NUMBERS INDICATE MILLIMETRES
DECIMALIZED NUMBERS INDICATE METRES

WARNING
IF POWER EQUIPMENT OR EXPLOSIVES ARE TO BE USED FOR EXCAVATION ON THIS PROJECT THE CONTRACTOR MUST:
1) NOTIFY THE GAS COMPANY OF THE PROPOSED LOCATION OF EXCAVATION.
2) TAKE PRECAUTION TO AVOID DAMAGE TO GAS COMPANY INSTALLATIONS.
SEE PROVINCIAL REGULATION 210/72 FOR DETAILS

B.M. ELEV.	FIELD BOOK #	CITY OF WINNIPEG WATER AND WASTE ENGINEERING DIVISION		ENGINEER'S SEAL	THE CITY OF WINNIPEG WATER AND WASTE DEPARTMENT	2005 CRESCENT DRIVE WASTEWATER SEWER AND PUMPING STATION CONSTRUCTION WASTEWATER PUMPING STATION PRE-CAST CONCRETE OPTION PLANS AND SECTIONS	SHEET 4 OF 9 CITY DRAWING NUMBER 05691
POSTED TO LBIS		DESIGNED BY DB	CHECKED BY TW	ORIGINAL SIGNED BY K.R. ZUREK 05/09/29			
		DRAWN BY CJH	APPROVED BY KZ				
		HOR. SCALE AS	RELEASED FOR CONSTRUCTION				
		VERTICAL SHOWN					
NO. REVISIONS	DATE	BY	DATE	2005 09 29			