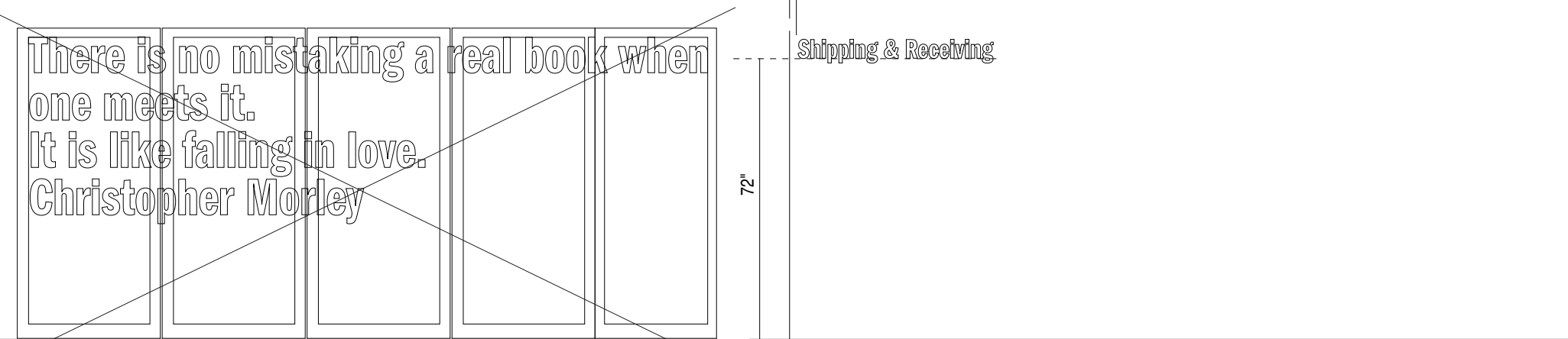


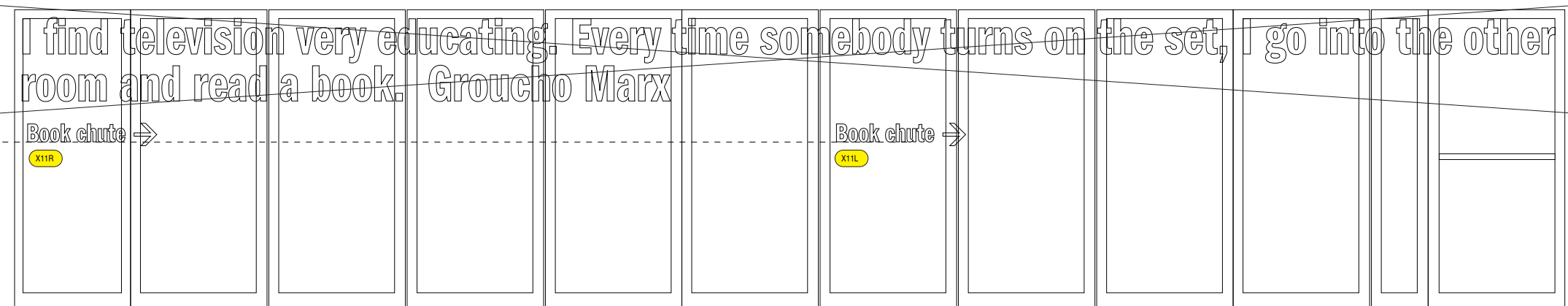
**X.3** Type V.1.5, V.2, V.9: right-reading on/from outside. Wpg logo + 2" and 1.5" matte white text. 2 applications req'd.

**X.10** Type V.1.5: right-reading from outside. 1" matte white text.

**X.13** Type V.1.5: right-reading from outside. 1" matte white text on ptd steel door.

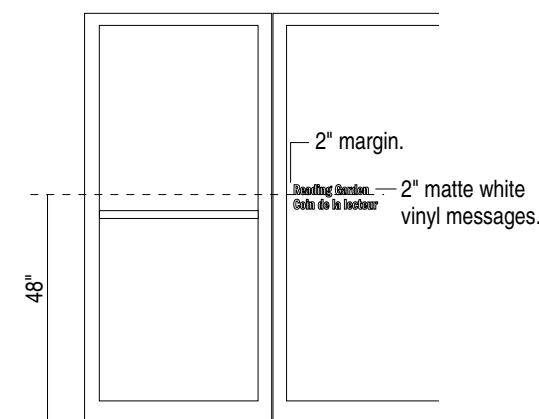


**X.4** Type V.6: right-reading from outside. 6" matte white text and 7" matte white arrow over glass and mullions. 3 applications.



Type V.6: right-reading from outside. 6" matte white text and 7" matte white arrow over glass and mullions. 3 applications.

Scale: .3125" = 12"



**1.36** Type V.2: right-reading from inside. 2" matte white text on glass. 2 applications req'd.

<b>Gallop/Varley</b>	
3574 W 13th Avenue Vancouver, B.C. Canada V6R 2S3	
T 604/736 1895 F 604/736 1896 e gallopvarley@shaw.ca	
This document contains information proprietary to Gallop/Varley and shall not be reproduced or transferred to other documents, or disclosed to others, or used for any purpose other than that for which it is intended without the prior written permission of Gallop/Varley.	
<ol style="list-style-type: none"> <li>1. Site survey / measure req'd.</li> <li>2. Submit FS paper layouts (pen plots).</li> <li>3. Submit samples as requested.</li> <li>4. Unless otherwise noted mount all signs centred 48" AFF.</li> <li>5. Typestyle is ITC Franklin Gothic. Signs may be rough scaled.</li> <li>6. Messages and sign locations to be site confirmed.</li> </ol>	
A 05/09/19 Sign 1.36, add Fr.	
Revisions:	
Date: 05/09/15	
Scale: As noted.	
Project No: 707	
Project: Millennium Library Winnipeg MB Sign Program	
Dwg. Title: Vinyl Signs on Exterior Glass	
Sign Type: V	
Dwg. No: V.05	A