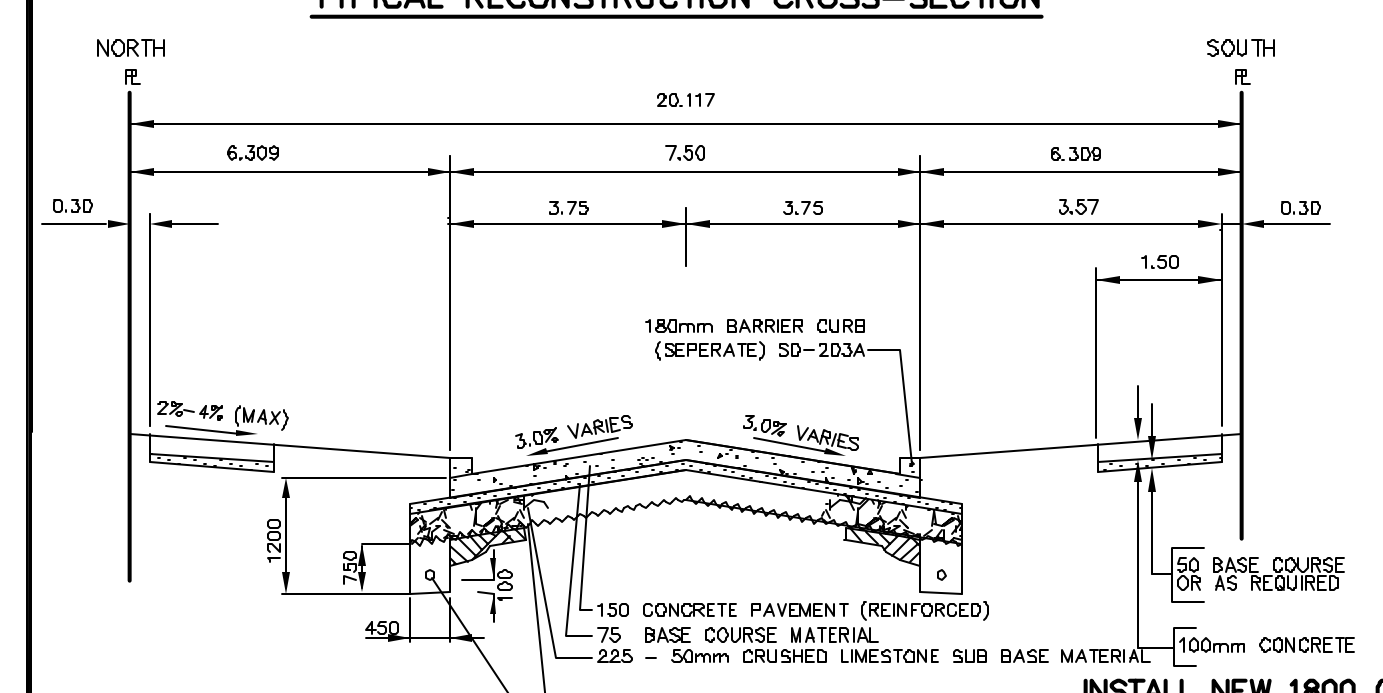


TYPICAL RECONSTRUCTION CROSS-SECTION



INSTALL NEW 1800 CATCH BASIN WITH CURB AND GUTTER INLET (SD-024) INSTALL 250mm PVC SEWER SERVICE AND CONNECT TO 300mm CONC. C.S. RIM 231.040 S. INV. 229.42 SUBDRAIN INV. 229.94

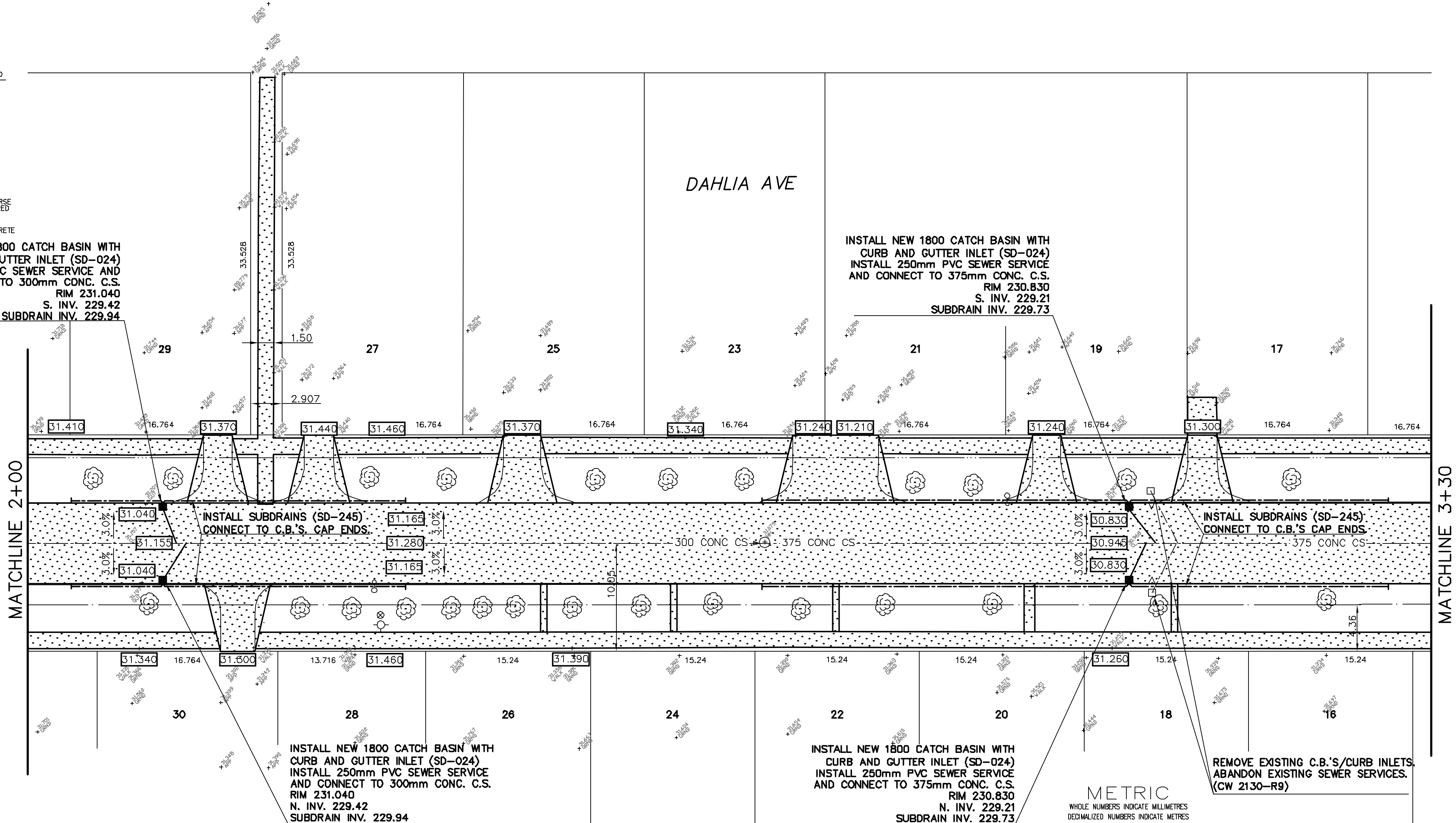
INSTALL NEW 1800 CATCH BASIN WITH CURB AND GUTTER INLET (SD-024) INSTALL 250mm PVC SEWER SERVICE AND CONNECT TO 375mm CONC. C.S. RIM 230.830 S. INV. 229.21 SUBDRAIN INV. 229.73

WARNING
IF POWER EQUIPMENT OR EXPLOSIVES ARE TO BE USED FOR EXCAVATION ON THIS PROJECT THE CONTRACTOR MUST:
1) OBTAIN CLEARANCE FROM THE PRIOR TO EXCAVATION.
2) TAKE PRECAUTION TO AVOID DAMAGE TO GAS UTILITY INSTALLATIONS.
SEE PROVINCIAL REGULATION 210/72 FOR DETAILS

CONSTRUCTION NOTES
1) CURB REPLACEMENT AS DIRECTED BY THE CONTRACT ADMINISTRATOR.
2) ALL STREET RADIUS CURB UNDER 15M RADIUS SHALL BE REPLACED AS MODIFIED OR AS DIRECTED BY THE CONTRACT ADMINISTRATOR.
3) PAVEMENT REPAIRS SHOWN ARE ONLY A REPRESENTATIVE SAMPLE OF THE TENDERED QUANTITIES.
4) ASPHALT TIE-INS TO BE DETERMINED IN THE FIELD BY THE CONTRACT ADMINISTRATOR.
5) SIDEWALK REPLACEMENT AS DIRECTED BY THE CONTRACT ADMINISTRATOR.
6) BOULEVARD REPLACEMENT AS DIRECTED BY THE CONTRACT ADMINISTRATOR.

CONSTRUCT NEW APPROACHES (SD-235) WITH 40mm LIP CURB (SD-202B) AS DIRECTED BY CONTRACT ADMINISTRATOR. TYPICAL.

ALL CHAINAGES ARE MEASURED ALONG THE CENTRE LINE OF DAHLIA AVENUE

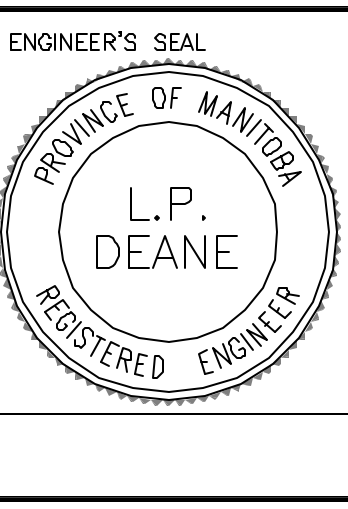


150 WM	WATERMAIN	150 WM	HYDRO	150 WM	WATERMAIN	150 WM	WATERMAIN
300 LDS	LAND DRAINAGE SEWER	300 LDS	CONCRETE	300 LDS	SEWER	300 LDS	SEWER
250 CS	COMBINED SEWER	250 CS	LIMIT OF ASPHALT				
□	MANHOLE	●	CURB RENEWAL				
○	CATCH BASIN	+	ASPHALT				
△	CURB INLET	▲	ELEVATIONS				
☆	WOOD POLES	⊕	PROPERTY LINE				
○	LAMP STANDARD	⊙	SURVEY BAR				
—	GAS	—	CURB STOP				
---	LEGEND - PLAN	---	RAMP CURB				
---	LEGEND - PROFILE	---	PROPOSED				

LOCATION APPROVED UNDERGROUND STRUCTURES
SUPR. U/G STRUCTURES COMMITTEE DATE
NOTE: LOCATION OF UNDERGROUND STRUCTURES AS SHOWN ARE BASED ON THE BEST INFORMATION AVAILABLE BUT NO GUARANTEE IS GIVEN THAT ALL EXISTING UTILITIES ARE SHOWN OR THAT THE GIVEN LOCATIONS ARE EXACT. CONTRIBUTION OF EXISTENCE AND EXACT LOCATION OF ALL SERVICES MUST BE OBTAINED FROM THE INDIVIDUAL UTILITIES BEFORE PROCEEDING WITH CONSTRUCTION.

B.M. ELEV.	GBM 25-001	231.460
NO.	REVISIONS	DATE BY

ENGINEERING DIVISION
TECHNOLOGY SERVICES BRANCH
106 - 1155 PACIFIC AVE
DESIGNED BY C.T.
CHECKED BY D.K.
DRAWN BY C.T.
APPROVED BY T.M.C.
HOR. SCALE: 1 : 250
VERTICAL: 1 : 10
DATE: 2005/02/23



THE CITY OF WINNIPEG
PUBLIC WORKS DEPARTMENT
DAHLIA AVENUE
FROM WEST LIMIT TO SINCLAIR STREET
RECONSTRUCTION AND RELATED WORKS
FROM STA. 2+00 TO STA. 3+30
CITY DRAWING NUMBER SE-05-16
SHEET 2 OF 3
2

BID OPPORTUNITY NO. 53-2005