

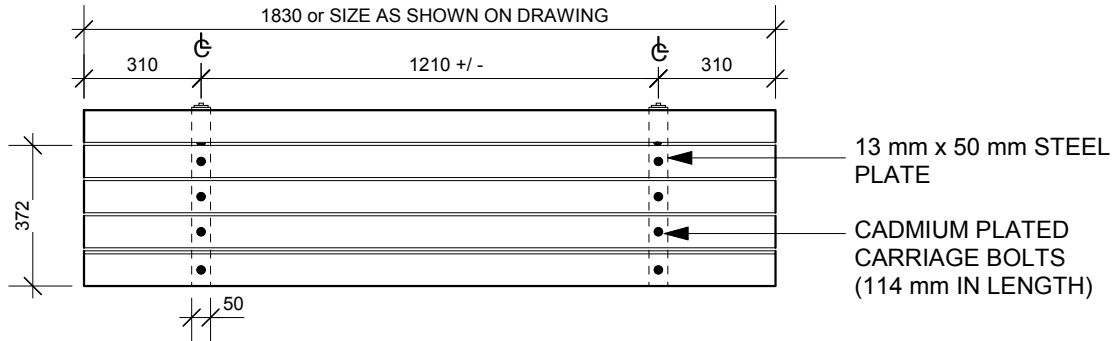
**MATERIALS**

- WOOD - VERTICAL GRAIN CLEAR SITKA SPRUCE OR B.C. RED CEDAR
- FINISH - SIKKENS CETOL 1 no. 078 NATURAL
- METAL FINISH - PRIME WITH RUSTOLEUM no.769. FINISH WITH SAPOLIN BLACK WROUGHT FINISH

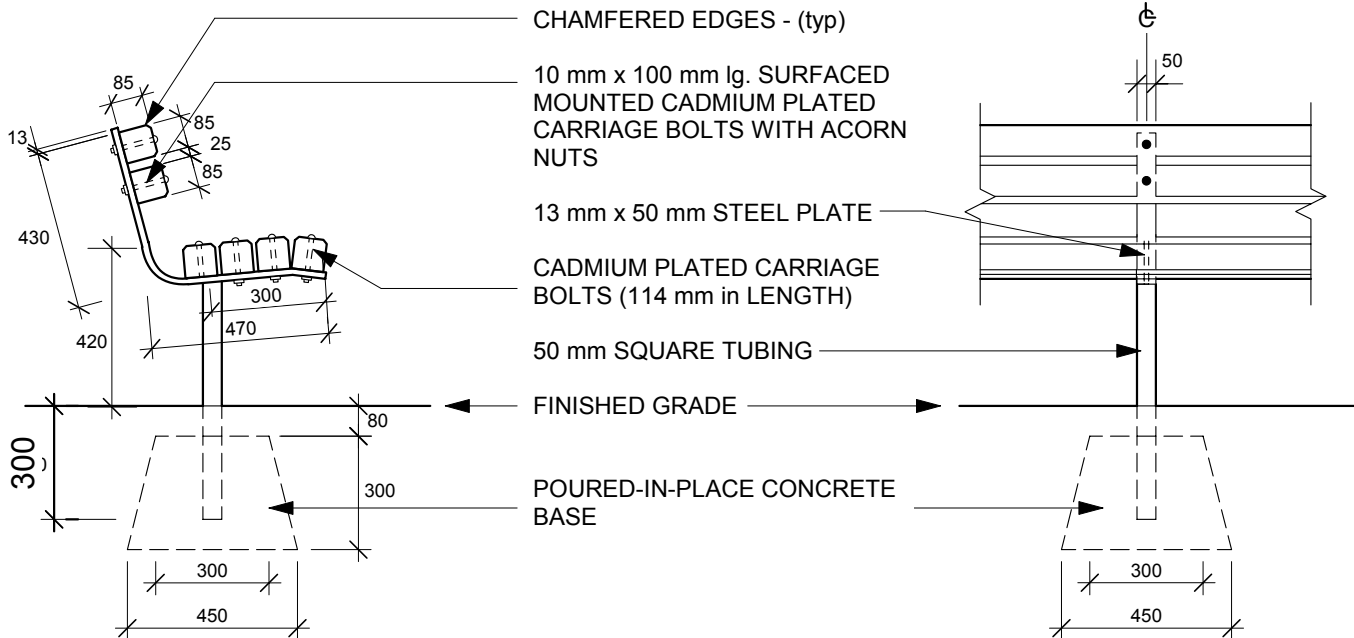
TITLE

**TACHE BENCH**

**SCD - 120**



**PLAN VIEW**



**SIDE ELEVATION**

**FRONT ELEVATION**

NOTE: ALL DIMENSIONS SHOWN ARE IN MILLIMETERS

1:20  
DATE : JUNE 2003  
DRAWN BY: SV

THE CITY OF WINNIPEG  
Planning, Property and Development Department  
Planning and Land Use Division  
Unit 15 - 10 Fort Street, Winnipeg, MB, R3C 4X5

