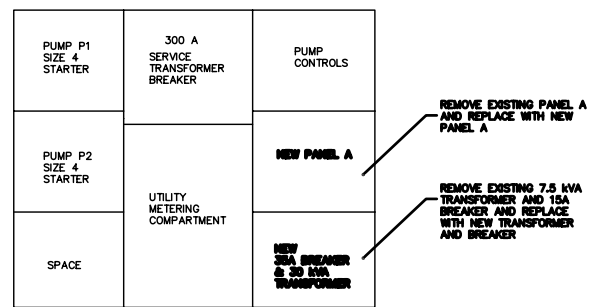


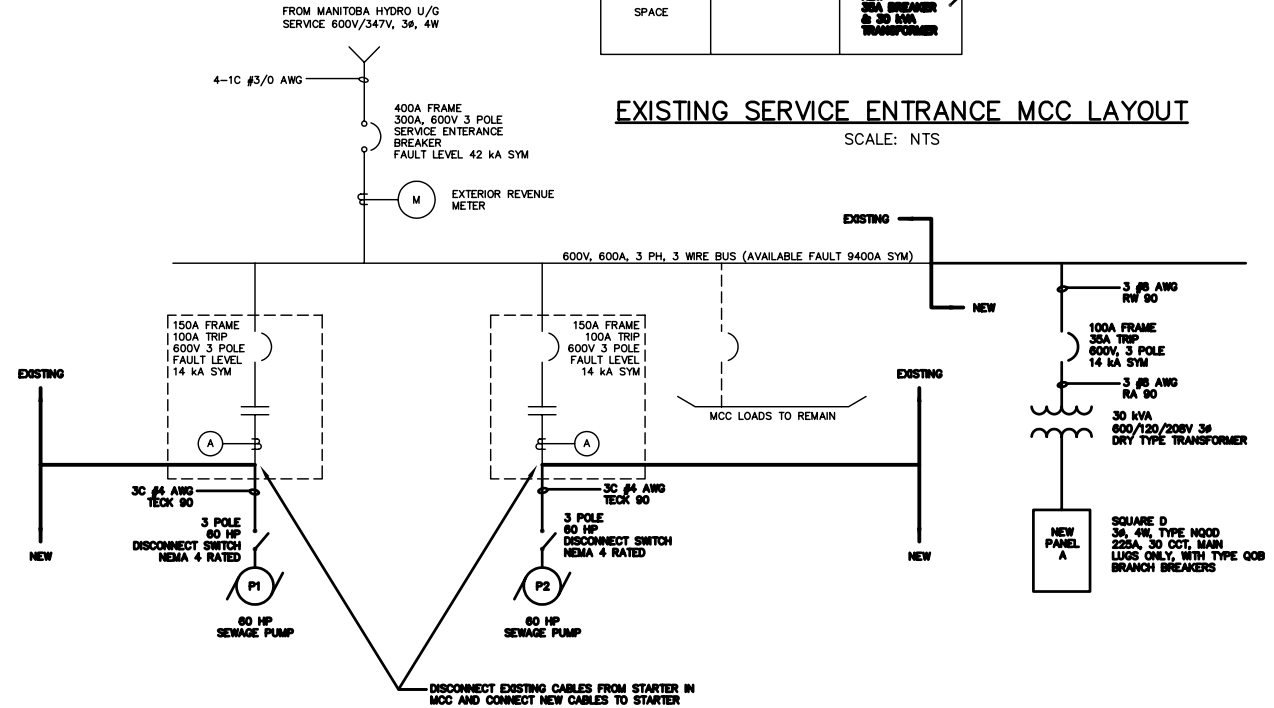
PLAN VIEW MOTOR ROOM
SCALE: 1:50

SYMBOL LEGEND

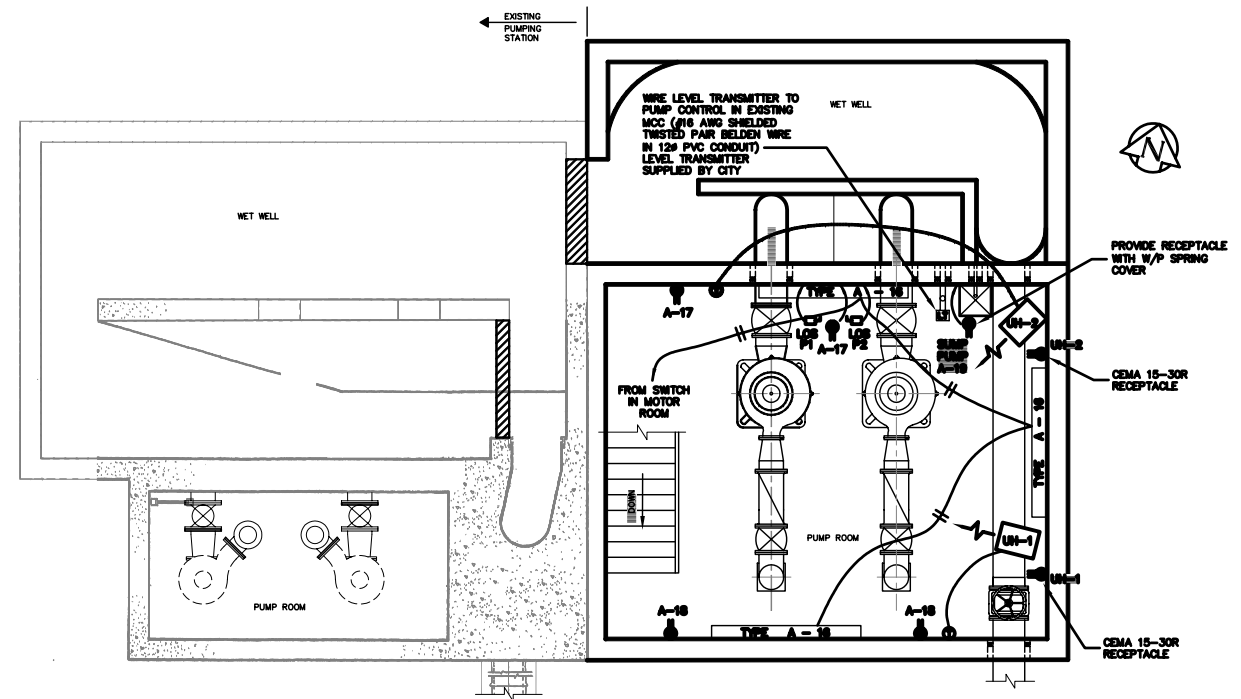
TYPE A	
	FLUORESCENT FIXTURE (WALL MOUNT)
	SINGLE POLE SWITCH
	DUPLEX RECEPTACLE (15A, 120V, 2P, 3W)
	MOTOR OUTLET
	DISCONNECT SWITCH
	THERMOSTAT
	ELECTRIC UNIT HEATER



EXISTING SERVICE ENTRANCE MCC LAYOUT
SCALE: NTS

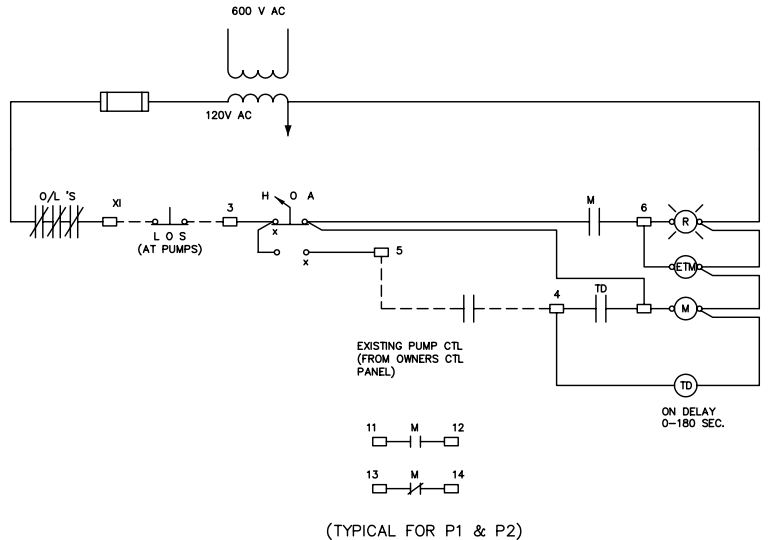


SINGLE LINE DIAGRAM
SCALE: NTS



PLAN VIEW PUMP ROOM
SCALE: 1:50

- NOTES:**
- EXACT LOCATION OF SWITCHES, RECEPTACLES AND LIGHT FIXTURES TO BE DETERMINED ON SITE.
 - ELECTRICAL INSTALLATION TO MEET CEC REQUIREMENTS FOR SEWAGE PUMPING STATION.
 - PROVIDE WIRE GUARDS OVER LIGHT FIXTURES.
 - EXISTING MCC IS LOCATED ON MAIN FLOOR OF EXISTING PUMPING STATION ALONG EAST WALL.
 - MOUNT LOCK OFF STOP (LOS) PUSH BUTTON ON WALL ADJACENT TO PUMPS. (IN A NEMA 4 ENCLOSURE)
 - ALL WIRING CONNECTIONS TO USE WATERTIGHT FITTINGS.
 - WIRE IN CONDUIT TO USE RW90 CU IN PVC THROUGHOUT WITH PVC OUTLET BOXES AND FITTINGS.
 - RECEPTACLE MOUNTING & HEIGHTS TO BE 750 mm FROM FLOOR.
 - VENTILATION FAN CONTROL TO BE A MANUAL MOTOR STARTER RATED DEVICE WITH HIGH/OFF/LOW CONTROL COMPLETE WITH OVERLOADS, RED PILOT LIGHT AND LOCK OUT CAPABILITY EQUAL TO SQUARE D TYPE FS 202P COMPLETE WITH 2-TYPE 2510 FL1 LOCKING DEVICES, MOUNTED IN NEMA 4 ENCLOSURE.



EXISTING SEWAGE PUMP CONTROL CIRCUIT
SCALE: NTS

PANEL A

TYPE: FEDERAL PACIFIC STAB-LOK LOAD CENTRE
CAT. NO. 312-24 LOCATION: EXISTING MCC
VOLT/PHASE: 120/240 3Ø CAPACITY: 100A

1 2ND FLOOR PLUG	15A	13 PLUG BY DOOR	15A
2 LIGHTS	14	14	14
3 LIGHTS	15A	15 SUMP PUMP	15A
4	16	16	16
5 PLUG LOWER LEVEL	15A	17 PLUG 3RD FLOOR	15A
6	18	18	18
7 ALARM PANEL	15A	19 PUMP CONTROL	15A
8	20	20	20
9 EXHAUST FAN	15A	21 SPARE	15A
10	22	22 SPARE	15A
11 PLUG BY EXHAUST FAN	15A	23 SPARE	15A
12	24	24 SPARE	15A

EXIST PANEL BOARD SCHEDULE

PANEL A

TYPE: SQUARE D NODD 430L 225 CU
3Ø, 4W, 225 A, 3Ø CCT
MAIN LUGS ONLY, QOB BRANCH BREAKERS

1 2ND FLOOR PLUG	15A	16 NEW LIGHTS	15A
2 LIGHTS	15A	17 NEW RECEPTACLES	15A
3 PLUG LOWER LEVEL	15A	18 NEW RECEPTACLES	15A
4 ALARM PANEL	15A	19 NEW SUMP PUMP	15A
5 PLUG BY FAN	15A	20 NEW VENTILATION	20A
6 PLUG BY DOOR	15A	21 FAN	2P
7 PLUG 3RD FLOOR	15A	22 NEW UNIT HEATER - 1	25A
8 PUMP CONTROL	15A	23	3P
9 SUMP PUMP	15A	24	3P
10 FLOW METER TRANSMITTER	15A	25 NEW UNIT HEATER - 2	25A
11 SPARE	15A	26	3P
12 SPARE	15A	27	3P
13 SPARE	15A	28 SPARE	15A
14 SPARE	15A	29 SPARE	15A
15 SPARE	15A	30 SPARE	15A

NEW PANEL BOARD SCHEDULE

B.M. ELEV.	FIELD BOOK #	CITY OF WINNIPEG WATER AND WASTE ENGINEERING DIVISION		ENGINEER'S SEAL
POSTED TO LBIS		DESIGNED BY TW/ER	CHECKED BY TW/ER	BID OPPORTUNITY: 52-2005 FILENAME: MAGER_PS_DWG1_DWG2.dwg PLOT DATE: 2005 02 24
		DRAWN BY CJH	APPROVED BY	
		HOR. SCALE 1:50	RELEASED FOR CONSTRUCTION	
		VERTICAL	DATE	
NO. REVISIONS	DATE	BY	DATE	2005 02 24

THE CITY OF WINNIPEG WATER AND WASTE DEPARTMENT

2005 MAGER DRIVE WASTEWATER PUMPING STATION EXPANSION
ELECTRICAL FLOOR PLANS AND SCHEMATICS

SHEET 11 OF 12
CITY DRAWING NUMBER
05559