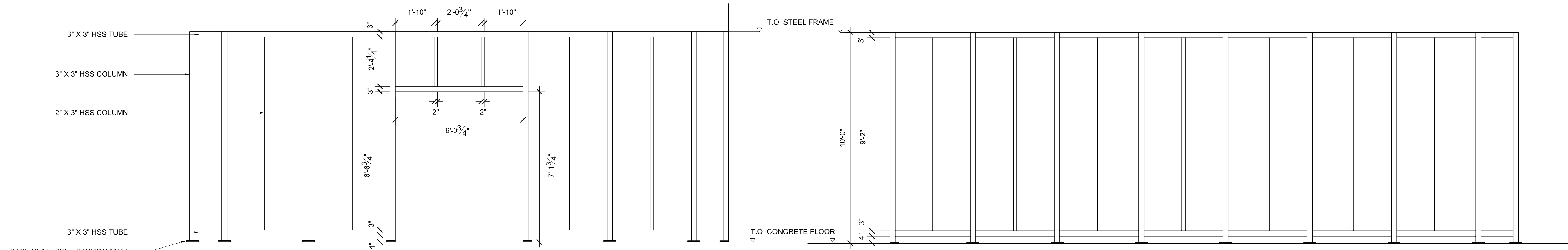


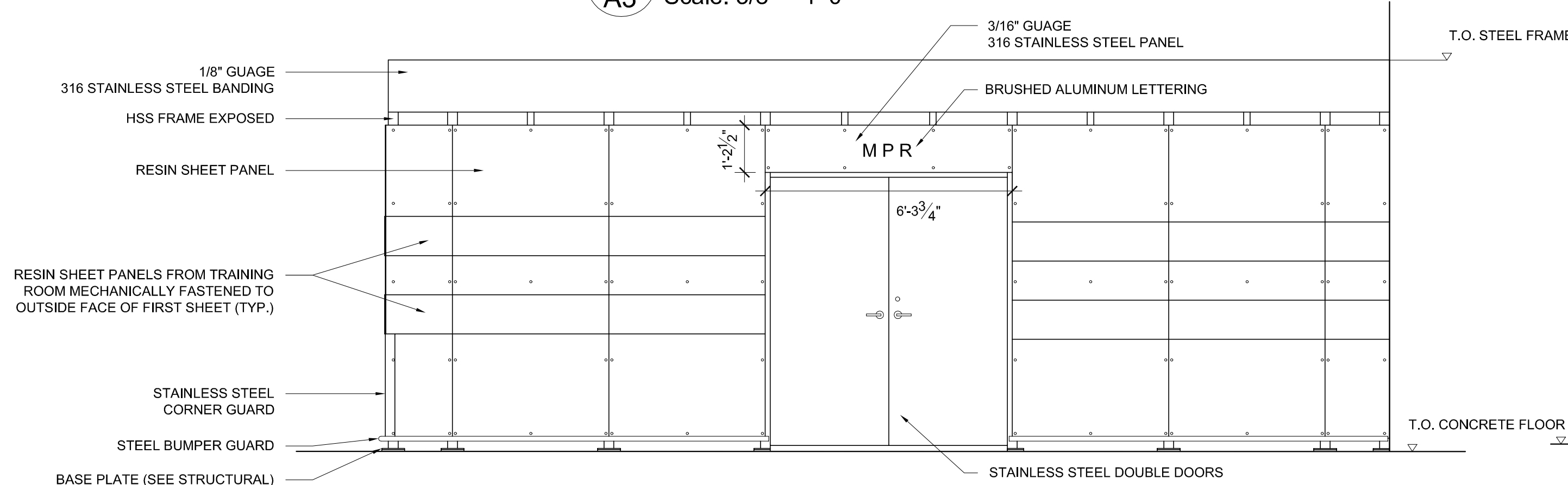
Ownership of Documents:
 Drawings and specifications as instruments of service are and shall remain the property of the Architect whether the project for which they are made is executed or not. They are not to be used by the owner on other projects or extensions to this project except by agreement in writing and with appropriate compensation to the Architect.

This drawing shall not be scaled. Follow given dimensions only.

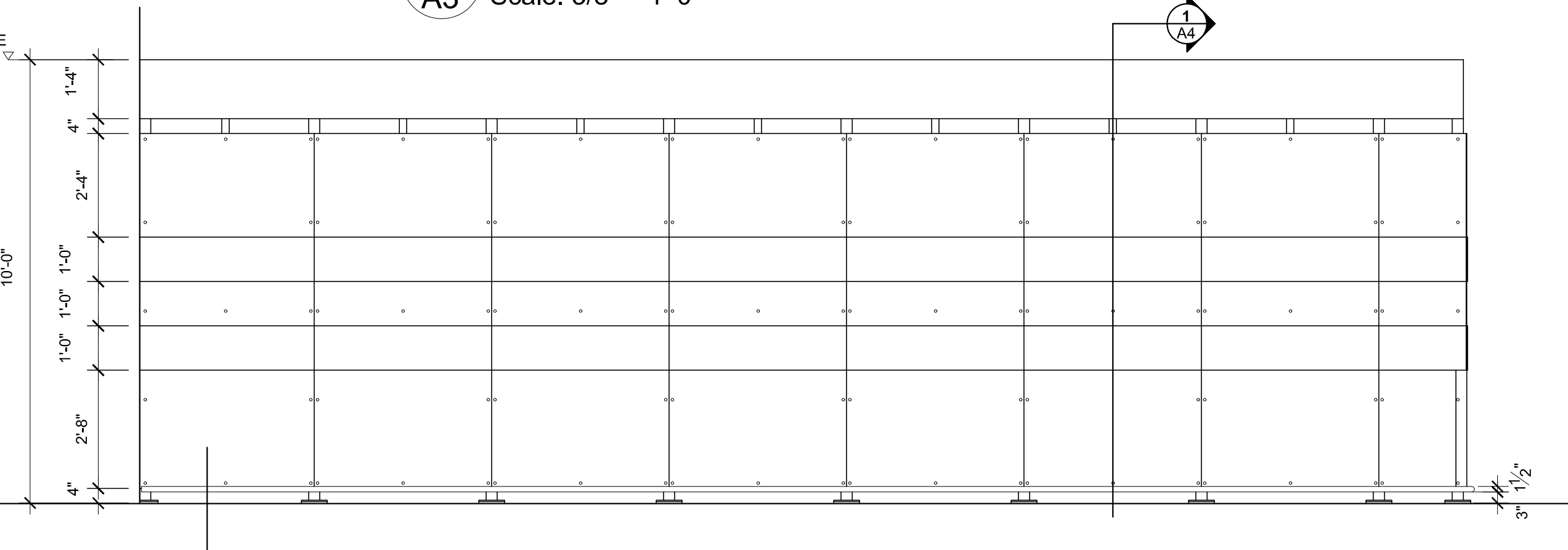


1 MPR South Frame Elevation
 A3 Scale: 3/8" = 1'-0"

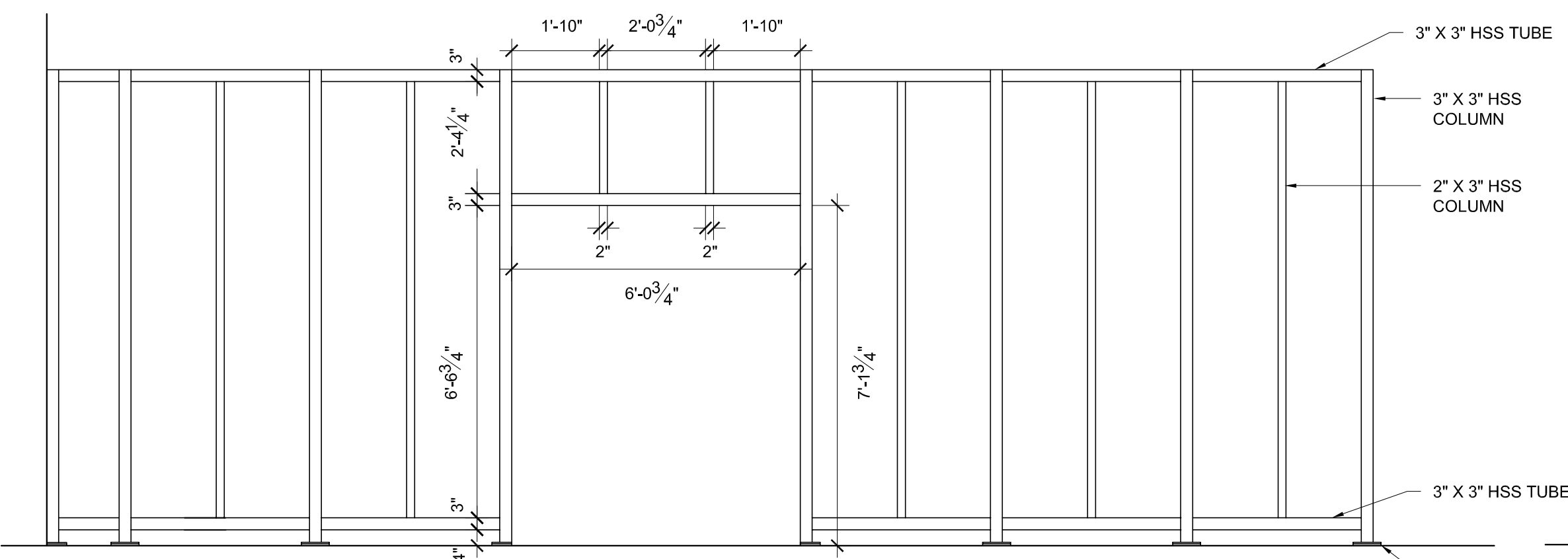
2 MPR East Frame Elevation
 A3 Scale: 3/8" = 1'-0"



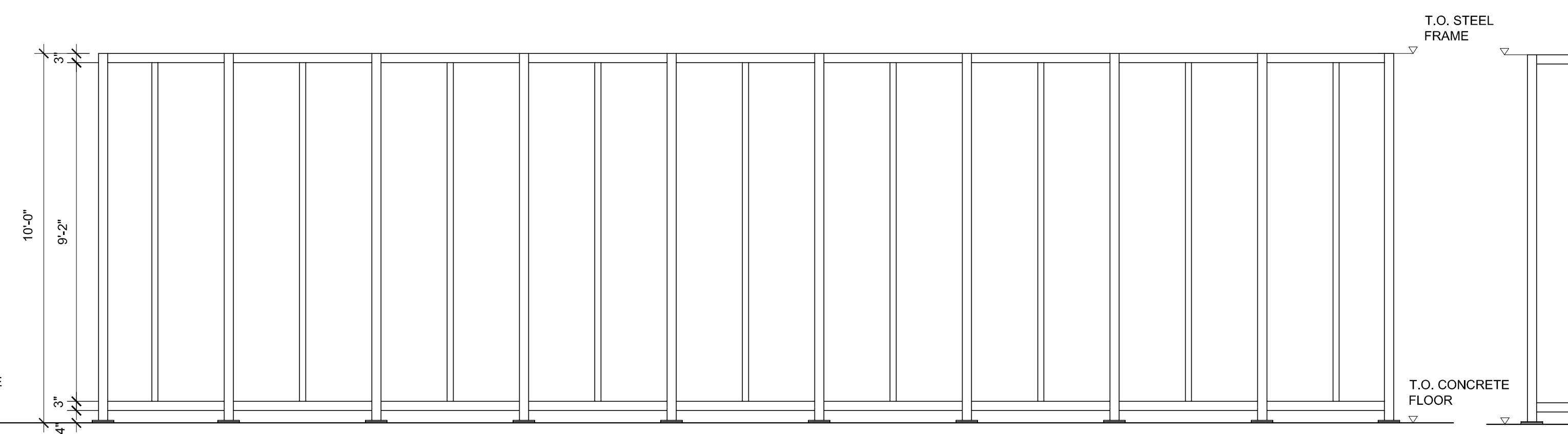
3 MPR South Finished Elevation
 A3 Scale: 3/8" = 1'-0"



4 MPR East Finished Elevation
 A3 Scale: 3/8" = 1'-0"

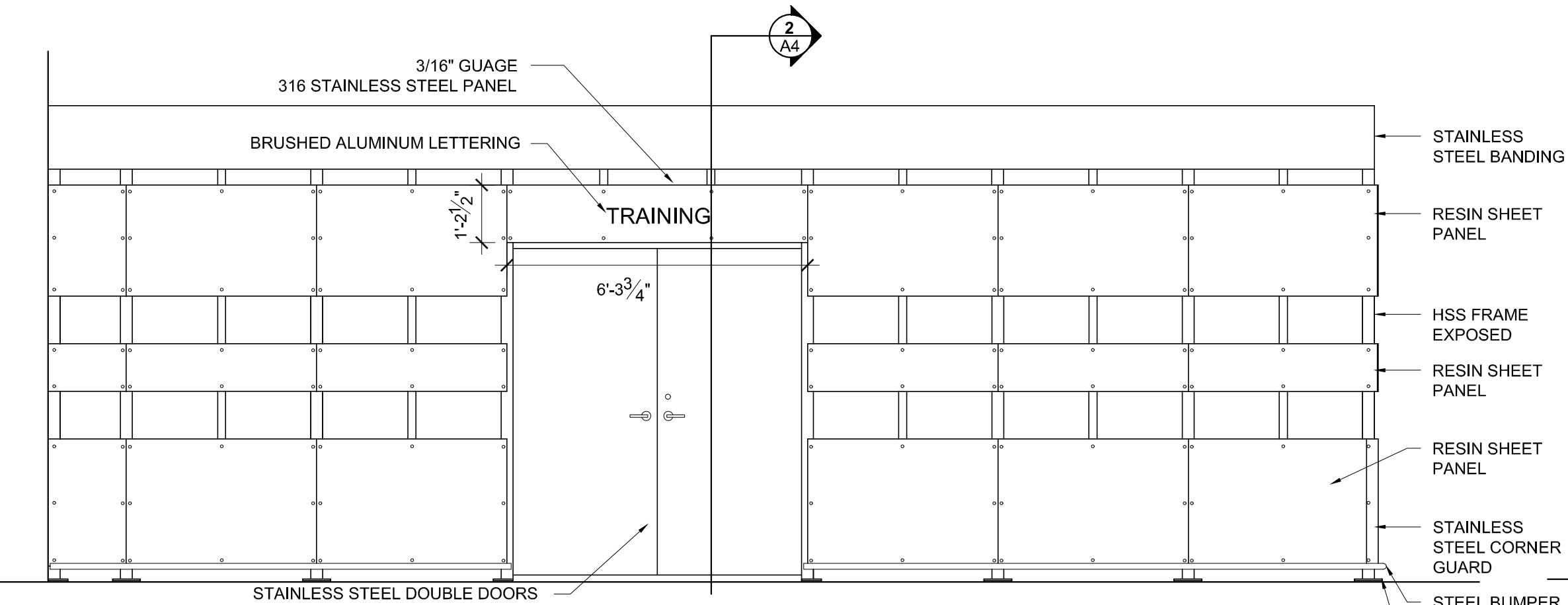


5 Training Room North Frame Elevation
 A3 Scale: 3/8" = 1'-0"

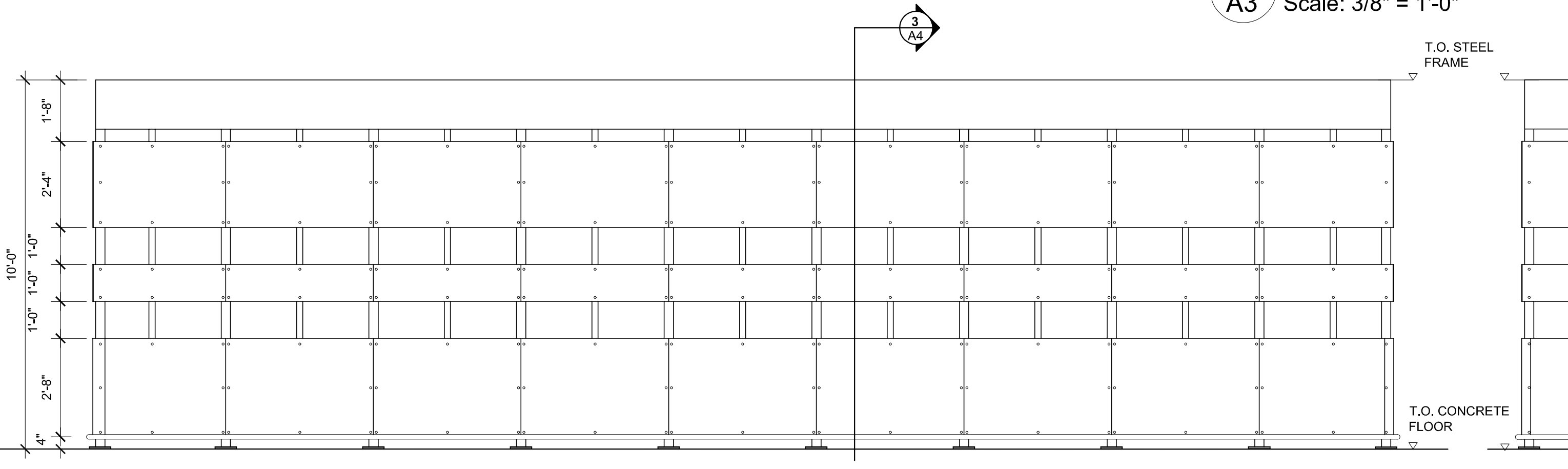


6 Training Room East Frame Elevation
 A3 Scale: 3/8" = 1'-0"

7 Training Room South Frame Elevation
 A3 Scale: 3/8" = 1'-0"



8 Training Room North Finished Elevation
 A3 Scale: 3/8" = 1'-0"



9 Training Room East Finished Elevation
 A3 Scale: 3/8" = 1'-0"

10 Training Room South Finished Elevation
 A3 Scale: 3/8" = 1'-0"

ISSUED FOR
 Tender 10/11/05
 Design Submission 9/30/05

ARCHITECT / PRIME CONSULTANT
SYNYSHYN ARCHITECTURE ARCHITECTURE
 ARCHITECTURE PLANNING INC
 INTERIOR DESIGN
 INTERIOR DESIGN
 FACILITY MANAGEMENT
 PRESENTATIONS

693-63 ALBERT STREET WINNIPEG MANITOBA CANADA R3B 1G4
 TELEPHONE 947-1100 FACSIMILE 956-5742

ENGINEERING CONSULTANT
STRUCTURAL ENGINEERS
 Laverne Draward & Associates Inc.
 402-126 Portage Avenue East
 Winnipeg, Manitoba
 R2C 5A1 Tel: 204 947 2222
 Fax: 204 947 2532
 E: info@laverne.com

ENGINEERING CONSULTANT

CITY OF WINNIPEG
BID OPPORTUNITY # 499-2005

PROJECT TITLE
PAN AM POOL
INTERIOR RENOVATION
 25 POSEIDON BAY
 WINNIPEG, MB

DRAWING TITLE

ELEVATIONS

DESIGNED BY JS/AD DRAWN BY AD

ISSUE DATE 10/5/05 REVISION No.