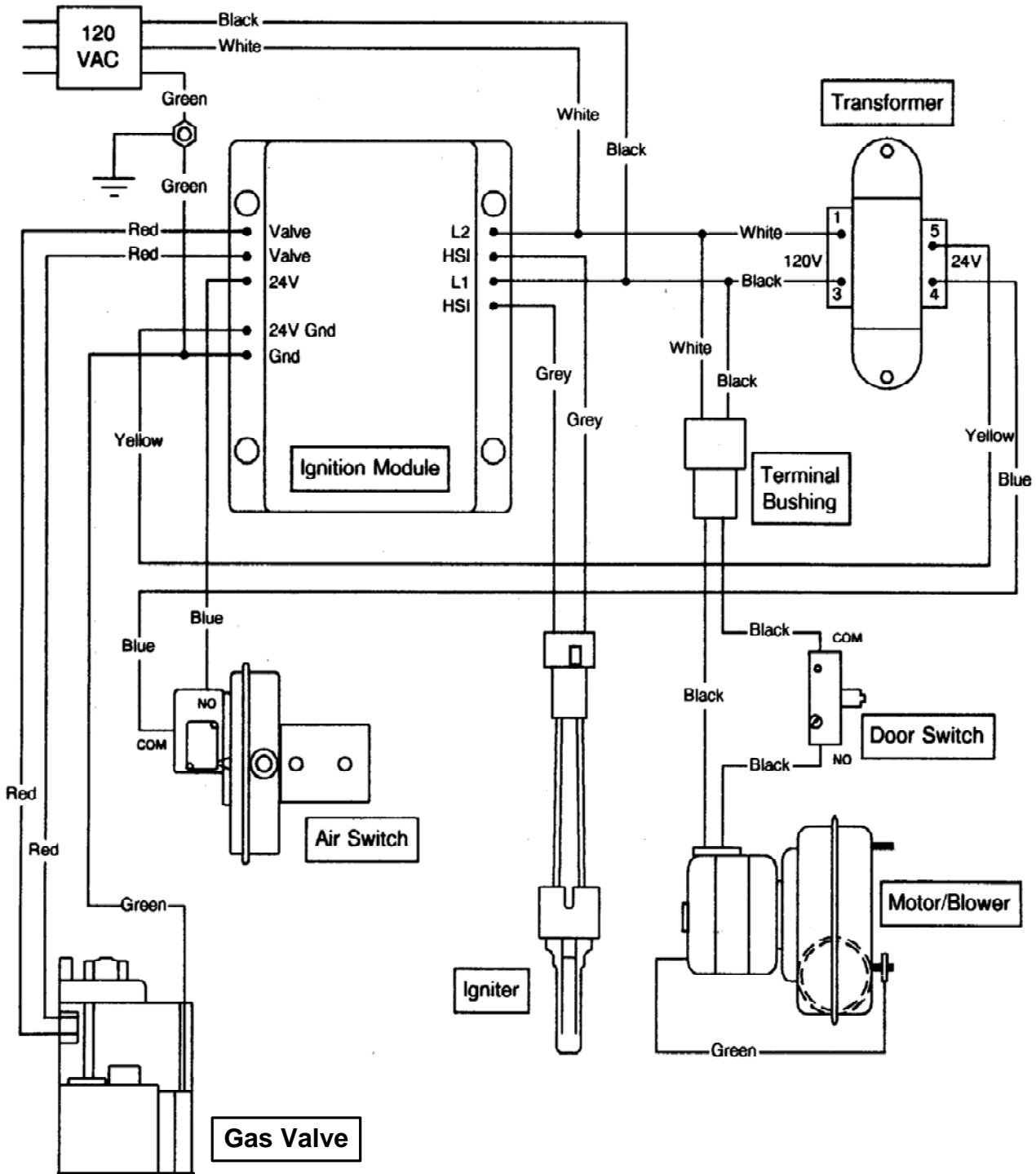


NOTES:

1. If any of the original wire as supplied with the appliance must be replaced, replace only with wiring material having a temperature rating of at least 105C
2. Each burner must be electrically grounded in accordance with Standard C22-1, Canadian Electrical Code Part 1 and CSA or Local Codes



CITY OF WINNIPEG TRANSIT DEPARTMENT 421 OSBORNE STREET WINNIPEG, MB. R3L 2A2 avecherya@winnipeg.ca		PROJECT INSPECTION AND REPAIR OF INFRA RED HEATERS		SHEET TITLE VANTAGE II. INTERNAL ELECTRICAL WIRING DIAGRAM	
DRAWN BY AV	CHECKED BY ROBERTS GORDON CANADA, INC	APPROVED BY CGA CSA DAAC	DATE 2005.08.15	SCALE NTS	SHEET No. A-3
			eFILE 494-2005 DRAWING A-3-R0	PROJECT No. 494-2005	