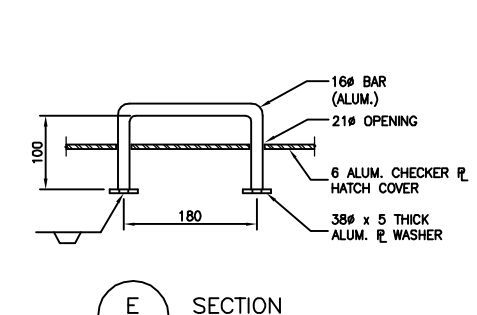
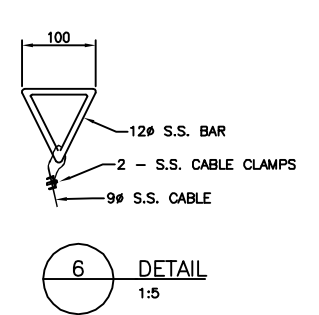


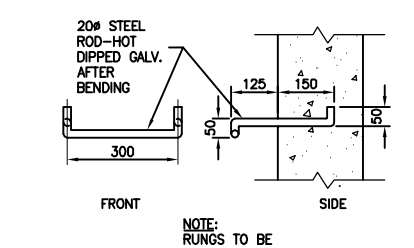
A HATCH COVER BOLT DOWN SECTION
1:5



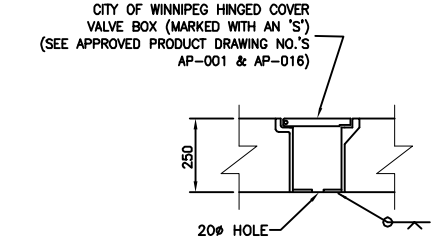
E SECTION
1:5



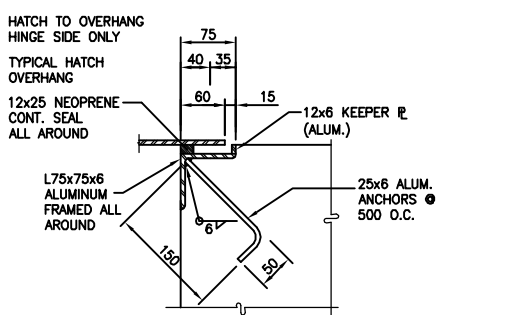
6 DETAIL
1:5



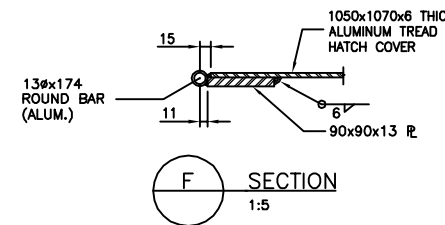
8 TYPICAL LADDER RUNG DETAIL
1:10



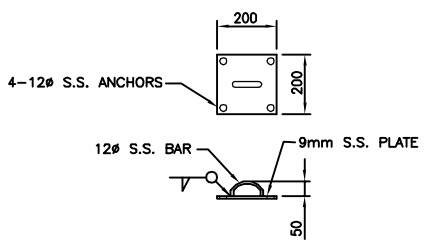
9 DETAIL
1:5



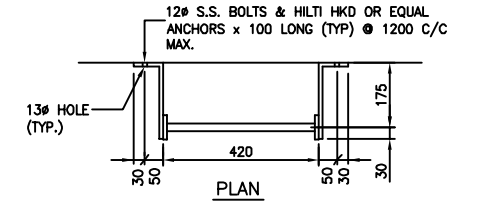
B HATCH SUPPORT SECTION
1:5



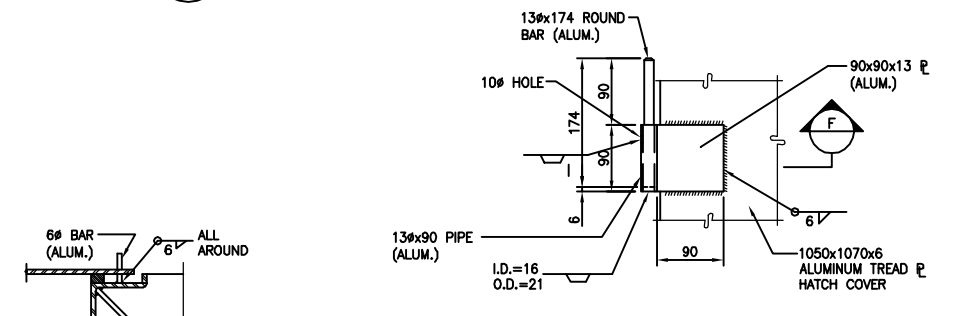
F SECTION
1:5



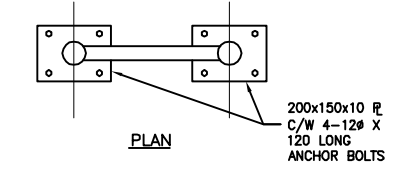
7 LIFTING CABLE GUIDE DETAIL
NTS



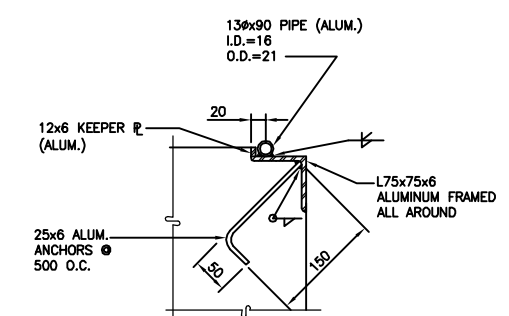
9 PLAN



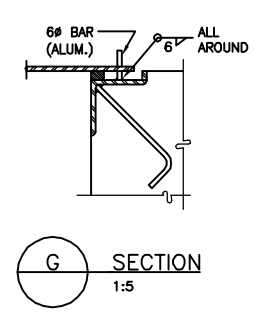
1 DETAIL
1:5



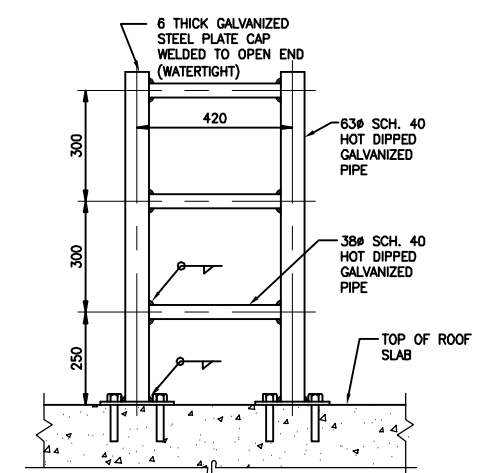
3 HAND HOLD DETAIL
1:10



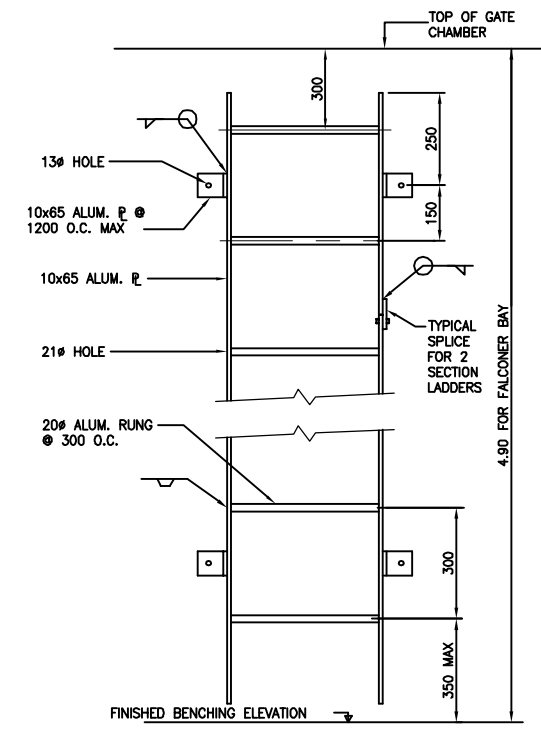
C SECTION
1:5



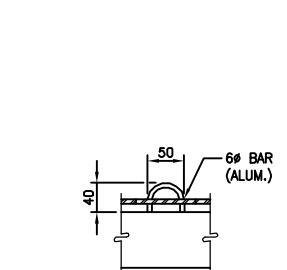
G SECTION
1:5



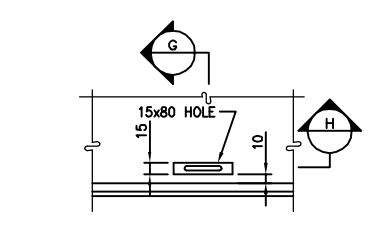
3 HAND HOLD DETAIL
1:10



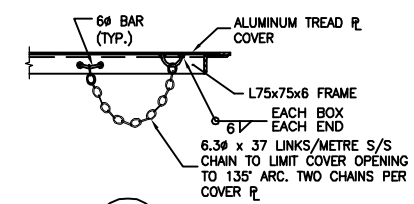
4 LADDER DETAIL
1:10



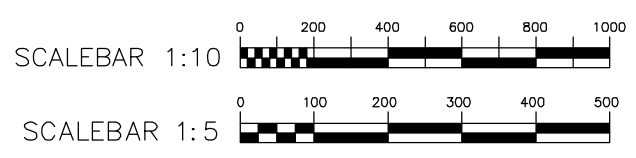
H SECTION
1:5



2 HATCH LOCK HASP PLAN
1:5



D SECTION
1:10



NOTE: ALL NUTS, BOLTS AND FASTENERS TO BE TYPE 316 STAINLESS STEEL

METRIC
WHOLE NUMBERS INDICATE MILLIMETRES
DECIMALIZED NUMBERS INDICATE METRES

| | | | | | | | |
|---------------|---------------|--|---------------------------|---|---|------------------------------------|--------------|
| B.M. ELEV. | FIELD BOOK #: | CITY OF WINNIPEG WATER AND WASTE ENGINEERING DIVISION | | ENGINEER'S SEAL | THE CITY OF WINNIPEG WATER AND WASTE DEPARTMENT | 2005 OUTFALL GATE CHAMBER UPGRADES | SHEET 9 OF 9 |
| POSTED TO LIS | | DESIGNED BY DCS | CHECKED BY TW | ORIGINAL SIGNED BY K.R. ZUREK 05/09/01 | | | |
| | | DRAWN BY WKT/CJH | APPROVED BY KZ | | FALCONER BAY GATE CHAMBER | MISCELLANEOUS DETAILS | LD-3190 |
| | | HOR. SCALE AS SHOWN | RELEASED FOR CONSTRUCTION | BID OPPORTUNITY: 493-2005 FILENAME: LD-3190.dwg PLOT DATE: 2005 08 31 | | | |
| NO. REVISIONS | DATE | BY | DATE | 2005 08 31 | | | |