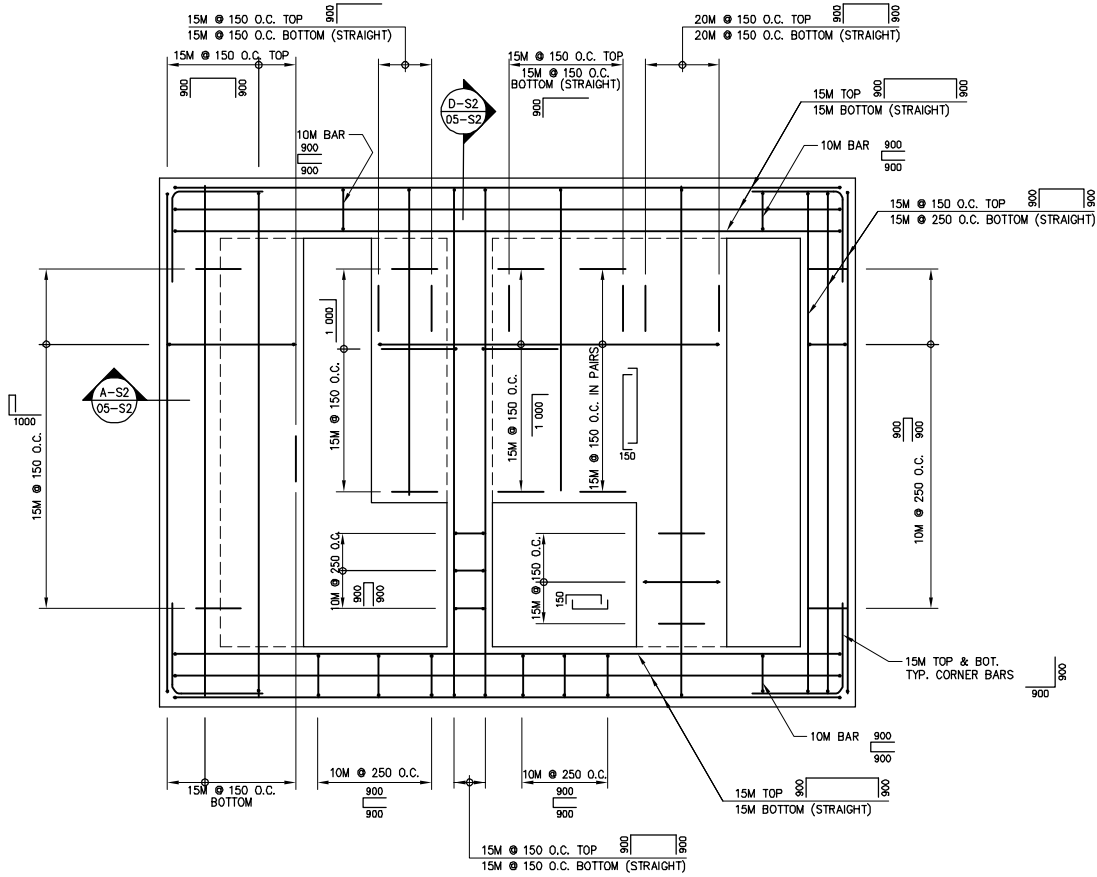
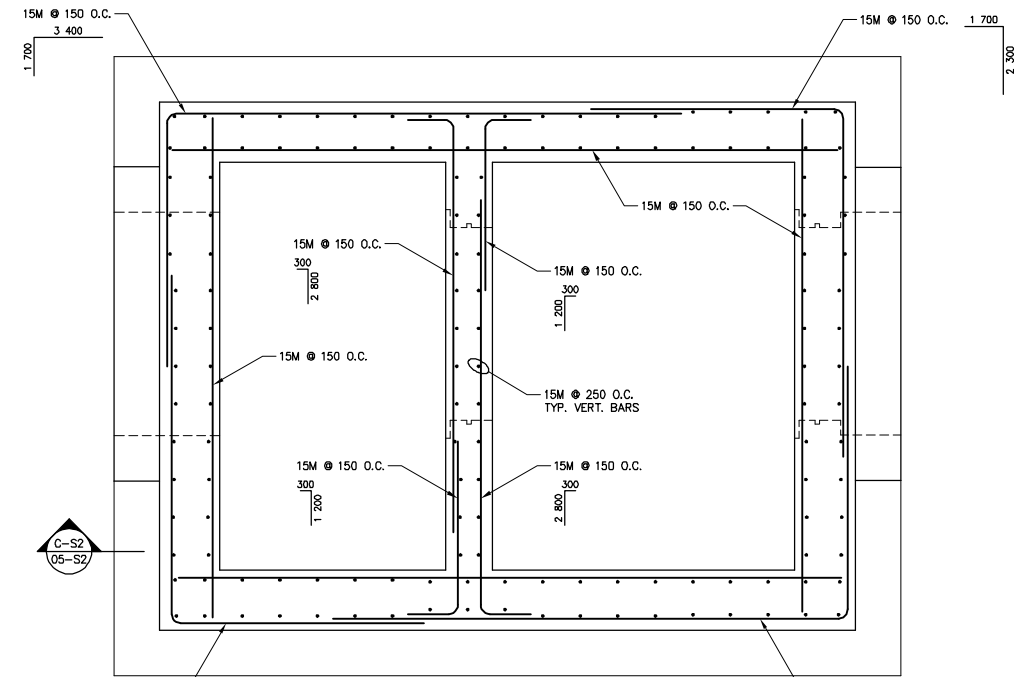


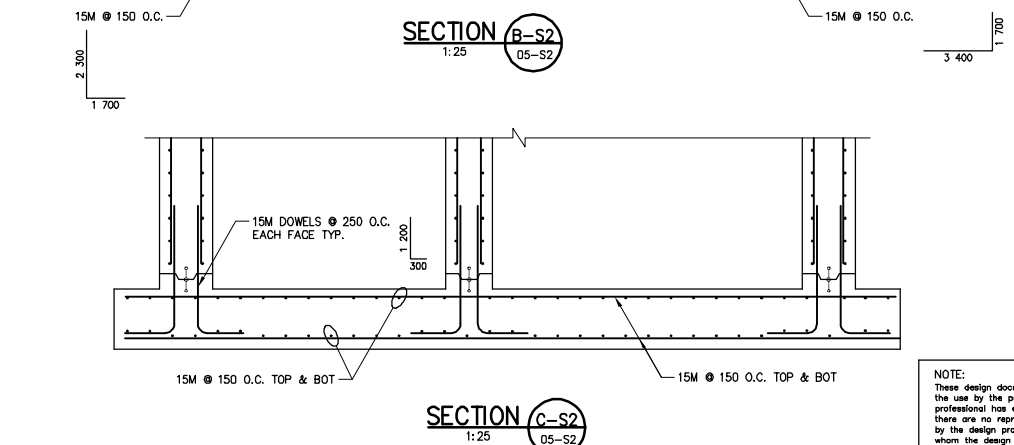
Aug 30, 2005 - 10:08am  
 P:\41400 - 4149\14179 2005 Outfall Gate Chamber Upgrade\Drawings\Notes Drawing\41479 05 Falconer - S1 Conc & SZ Rein\Lang - Rein\Reinforcing



**ROOF SLAB REINFORCING PLAN**  
1:25



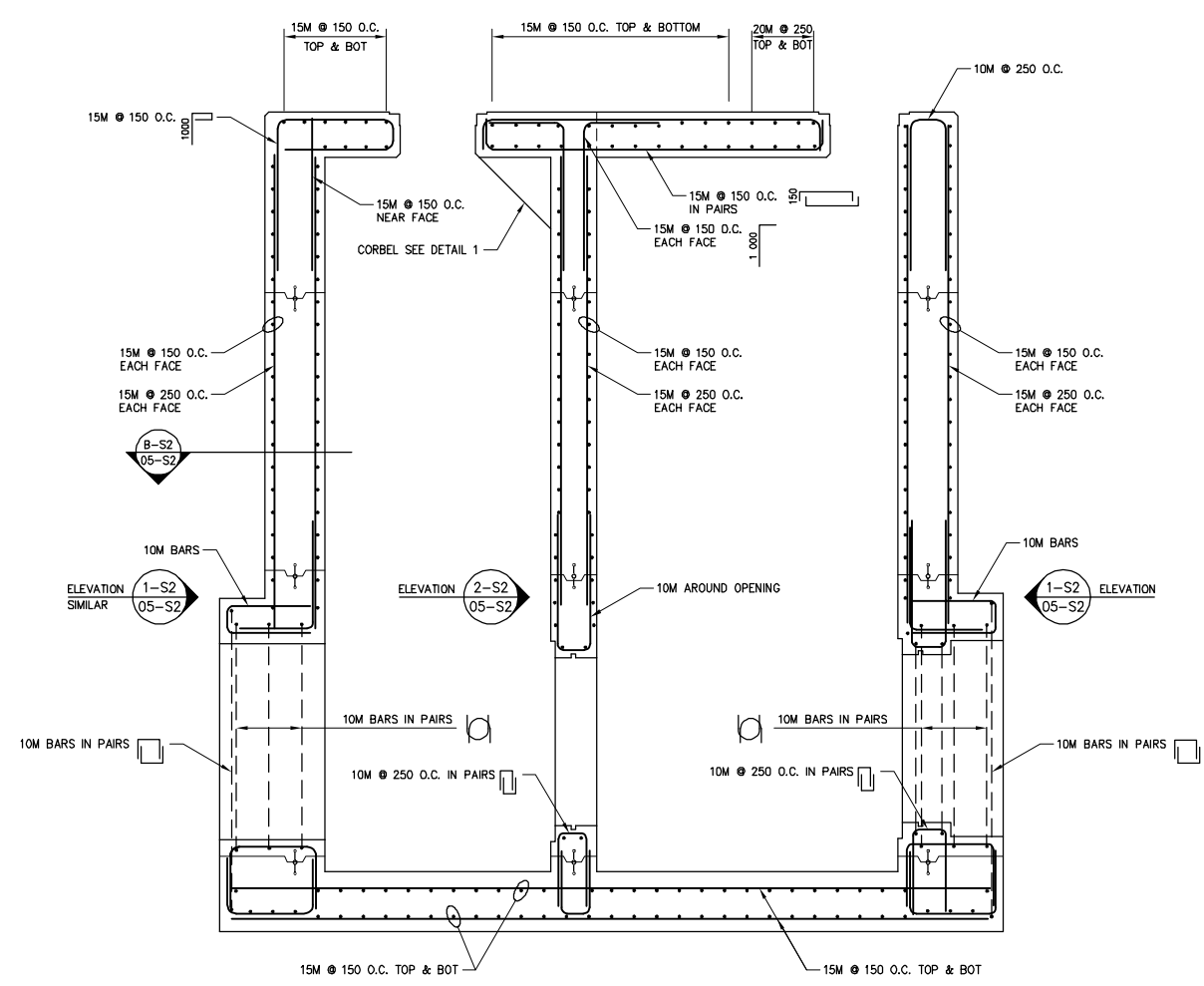
**SECTION B-S2**  
1:25



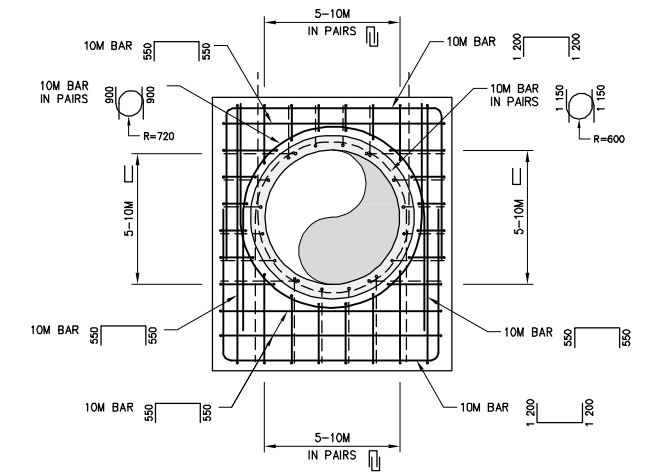
**SECTION C-S2**  
1:25

NOTE:  
 These design documents are prepared solely for the use by the party with whom the design professional has entered into a contract and there are no representations of any kind made by the design professional to any party with whom the design professional has not entered into a contract.

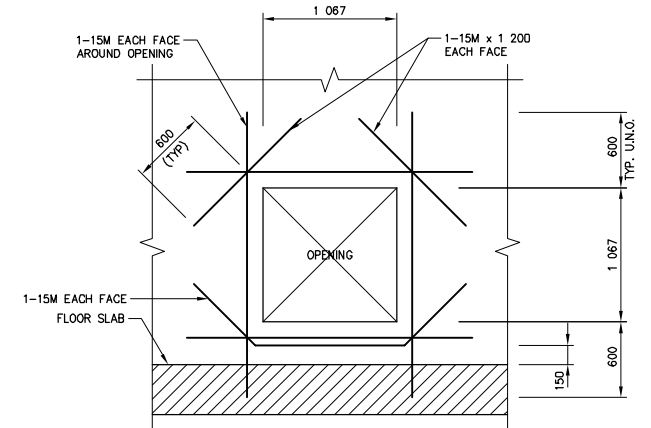
**APEGM**  
 Certificate of Authorization  
 ND LEA Engineers & Planners Inc.  
 No. 2728 Expiry: April 30, 2006



**SECTION A-S2**  
1:25  
(THROUGH Q OF PIPE)

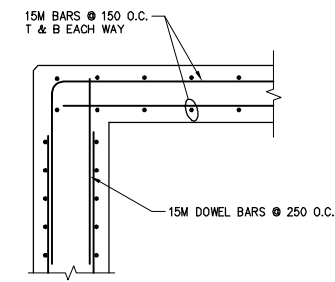


**ELEVATION 1-S2**  
1:30

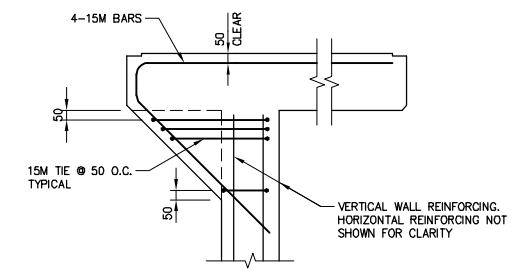


**ELEVATION 2-S2**  
1:30

NOTE: WALL AND SLAB REINFORCING NOT SHOWN FOR CLARITY

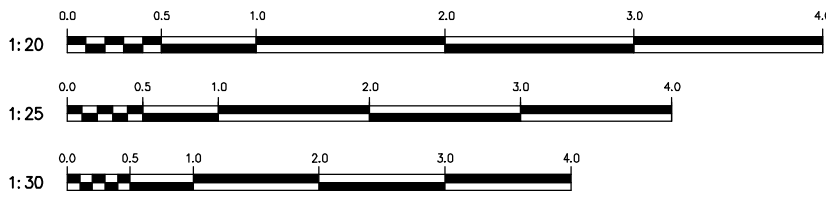


**SECTION D-S2**  
1:20



**DETAIL 1-S2**  
1:20

NOTE: ROOF SLAB REINFORCING NOT SHOWN FOR CLARITY



A-B  
 C

**METRIC**  
 WHOLE NUMBERS INDICATE MILLIMETRES  
 DECIMALIZED NUMBERS INDICATE METRES

DESIGNED BY MH		CHECKED BY JPL	
DRAWN BY CDP		APPROVED BY -	
HOR. SCALE AS SHOWN		RELEASED FOR CONSTRUCTION	
VERTICAL		DATE	
1	-	-	-
NO.	REVISIONS	DATE	BY
		05 05 30	

ENGINEER'S SEAL  
 M.A. HATCH  
 05 08 30  
 BID OPPORTUNITY 493-2005  
 PLOT DATE: 05 08 30

**THE CITY OF WINNIPEG**  
 WATER AND WASTE DEPARTMENT  
**Winnipeg**

2005 OUTFALL GATE CHAMBER UPGRADES  
**FALCONER BAY (N. LEG)**  
**LDS OUTFALL GATE CHAMBER**  
 REINFORCING DETAILS

CONSULTANT DRAWING NUMBER  
**41479-05-S2**

SHEET **3** OF **9**

CITY DRAWING NUMBER  
**LD-3181**