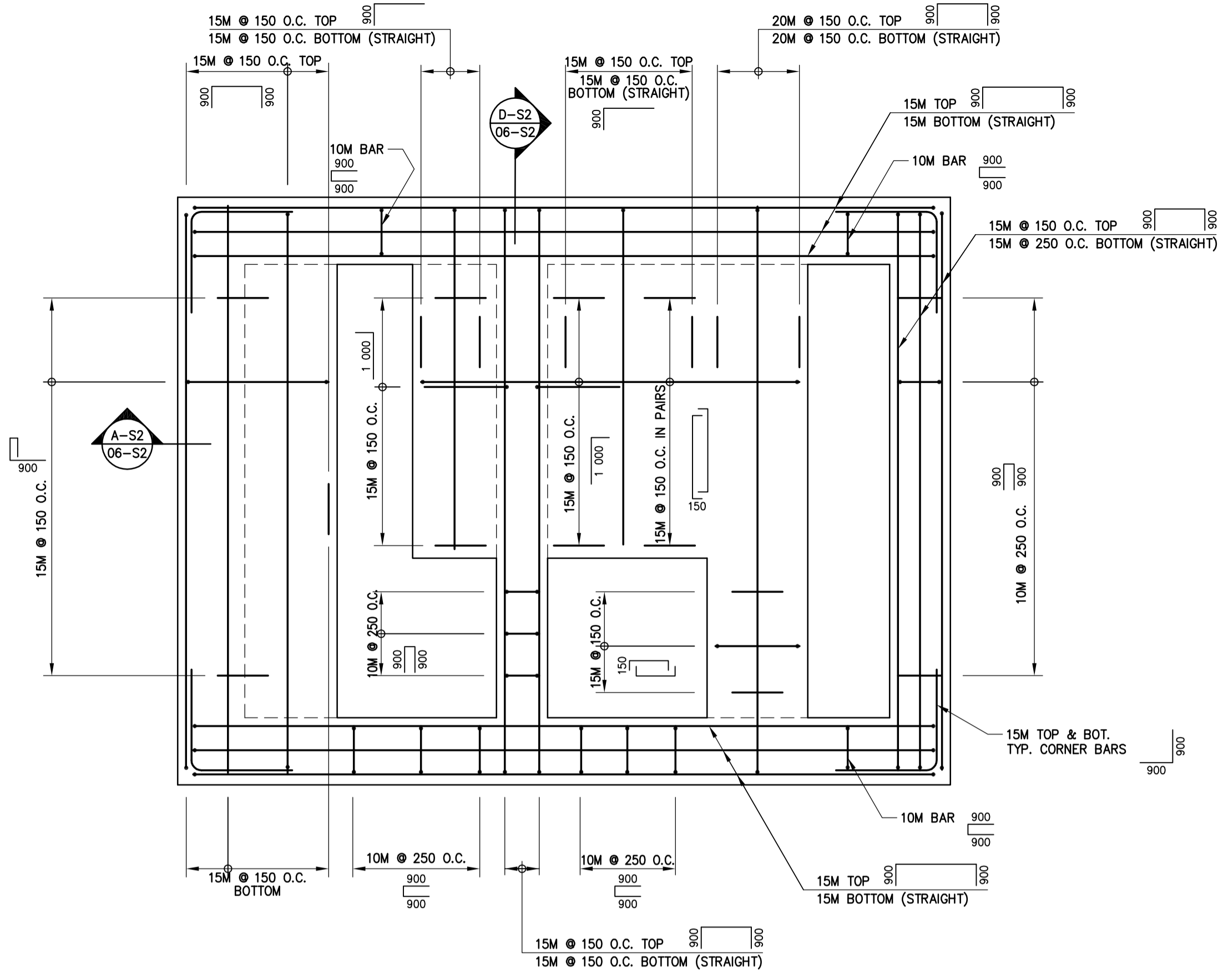
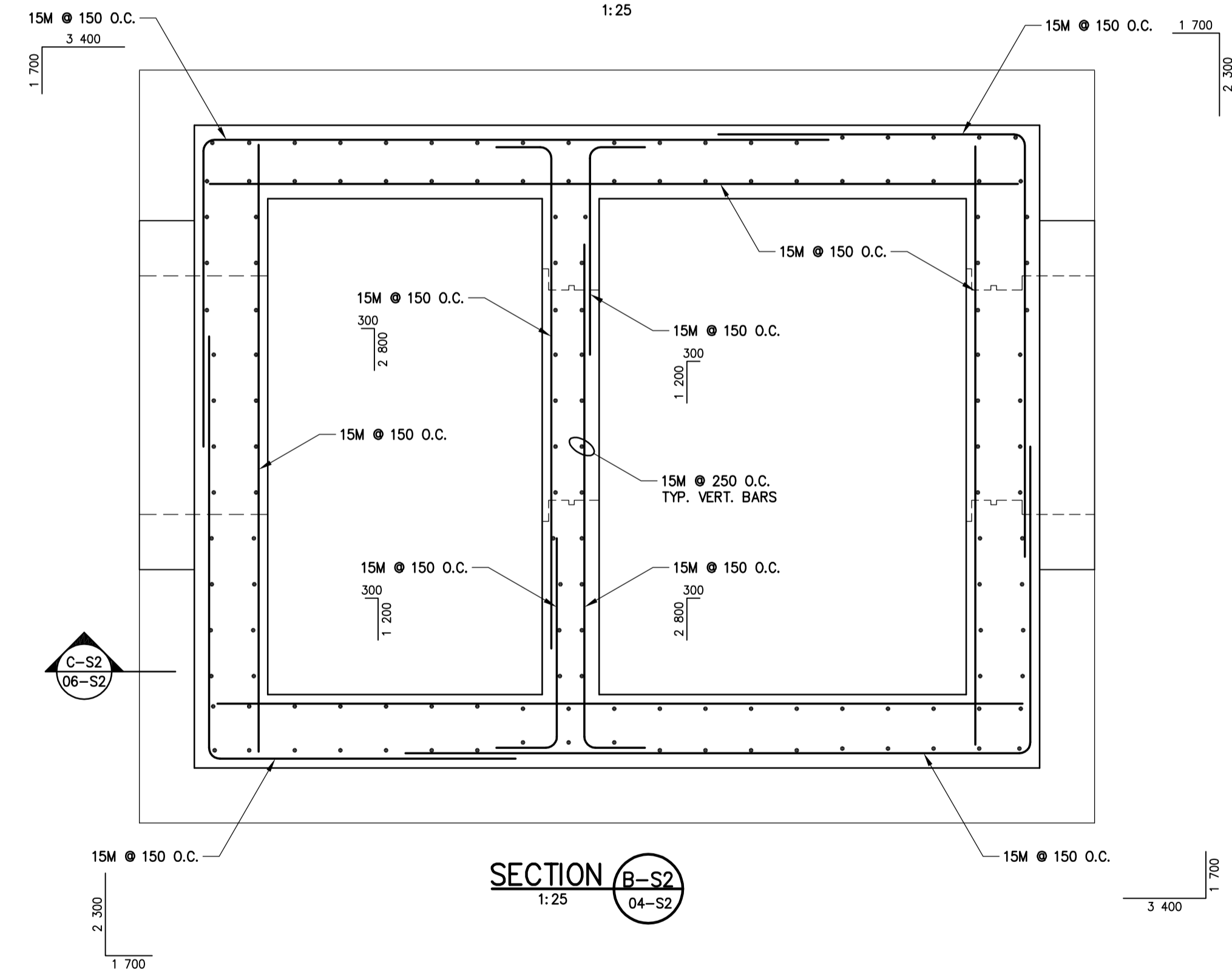


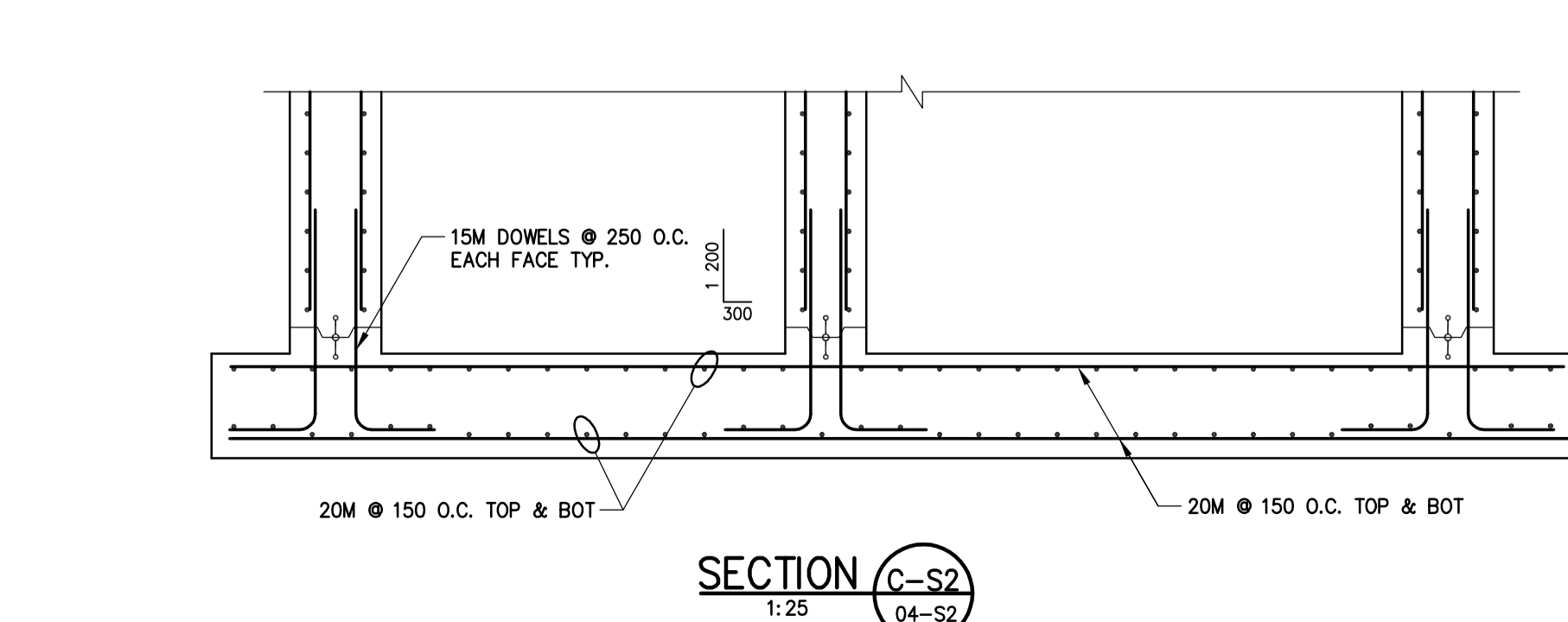
Aug 12, 2005 - 2:05pm  
 P: 41400 - 41498  
 2005 Outfall Gate Chamber Upgrades\Drawings\Notes Drawings\41479 04 Evans - S1 Conc. & S2 Reinf.dwg -10b:Evans - Reinforcing



**ROOF SLAB REINFORCING PLAN**  
 1:25

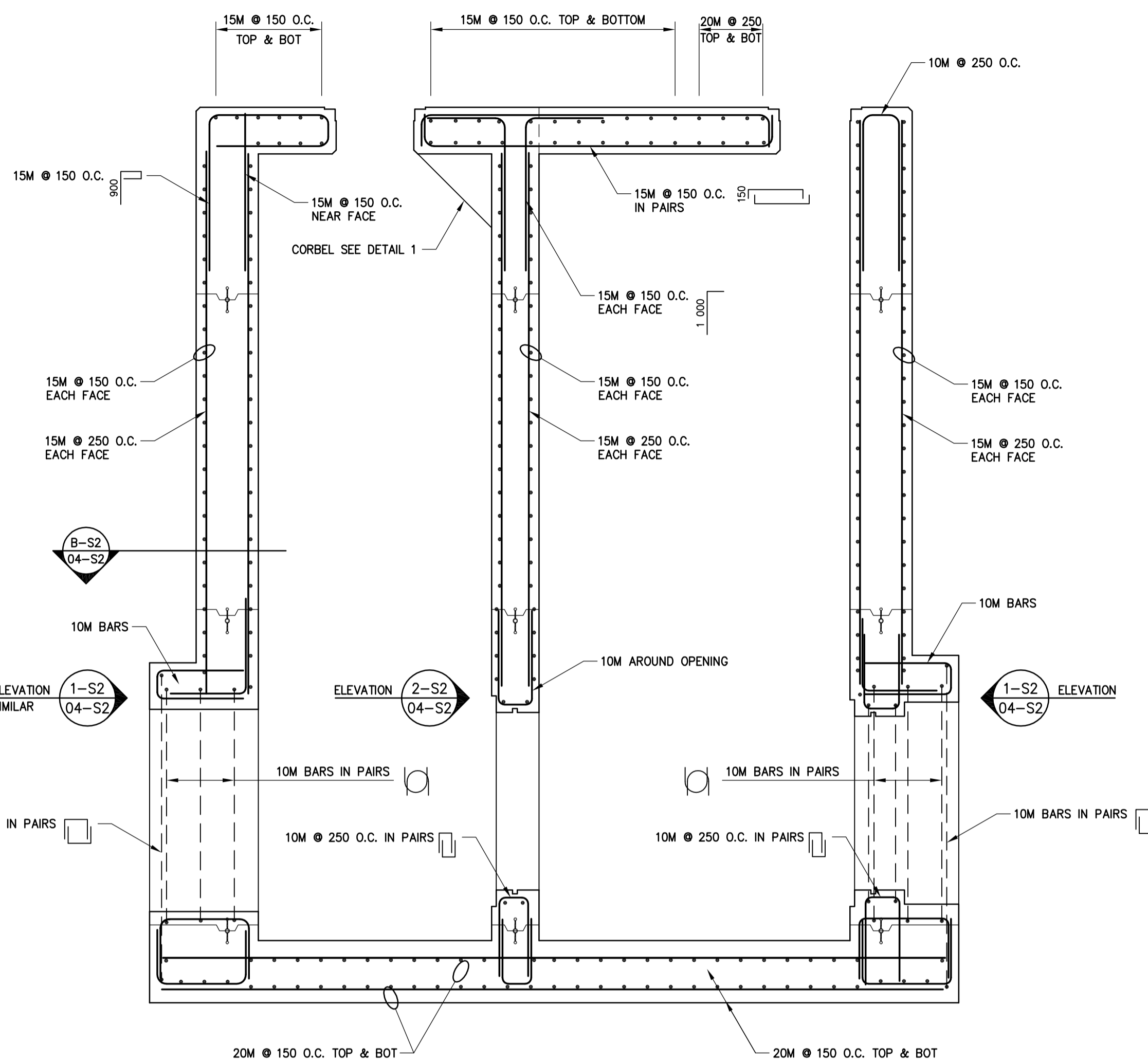


**SECTION B-S2**  
 1:25

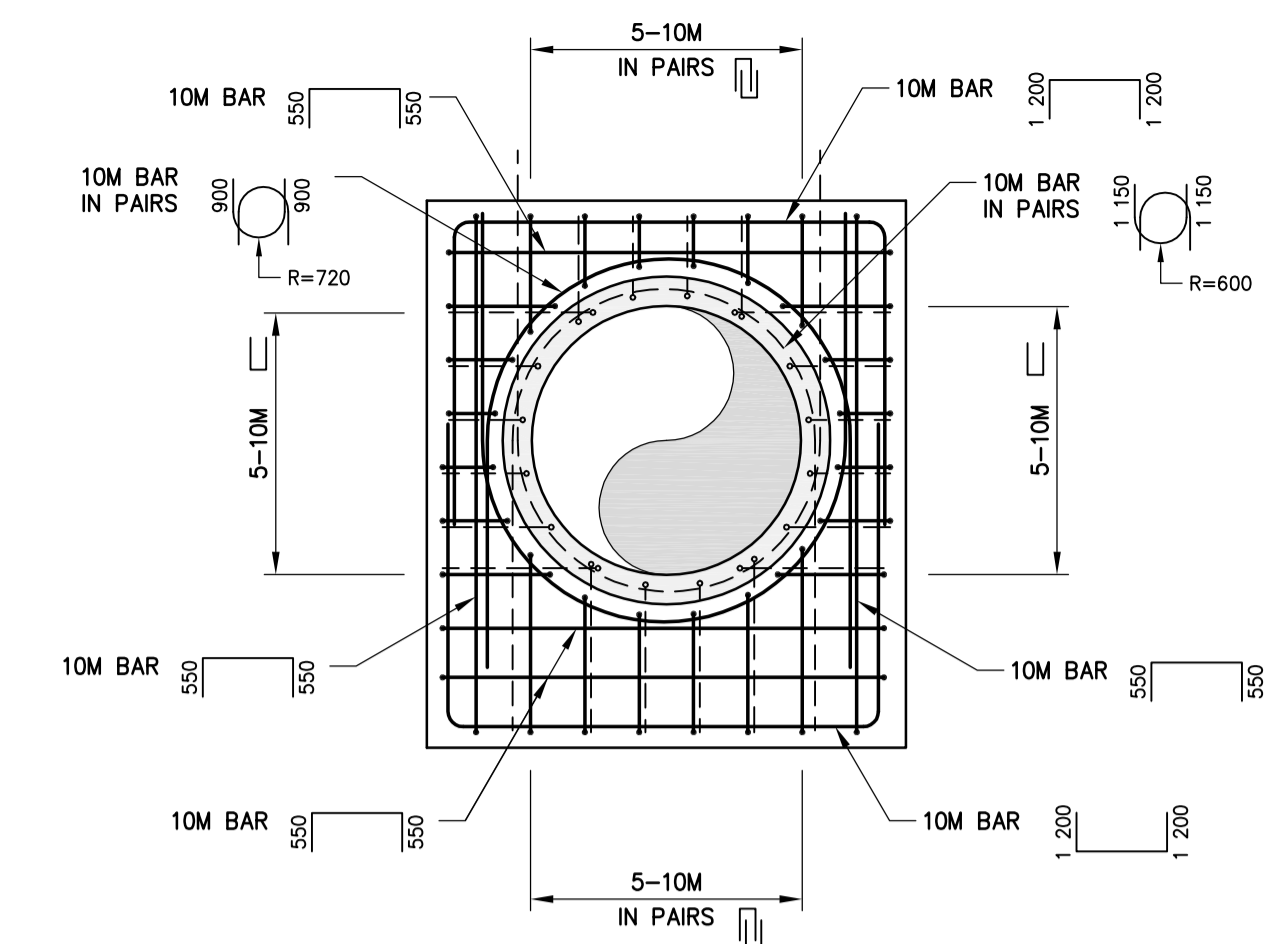


**SECTION C-S2**  
 1:25

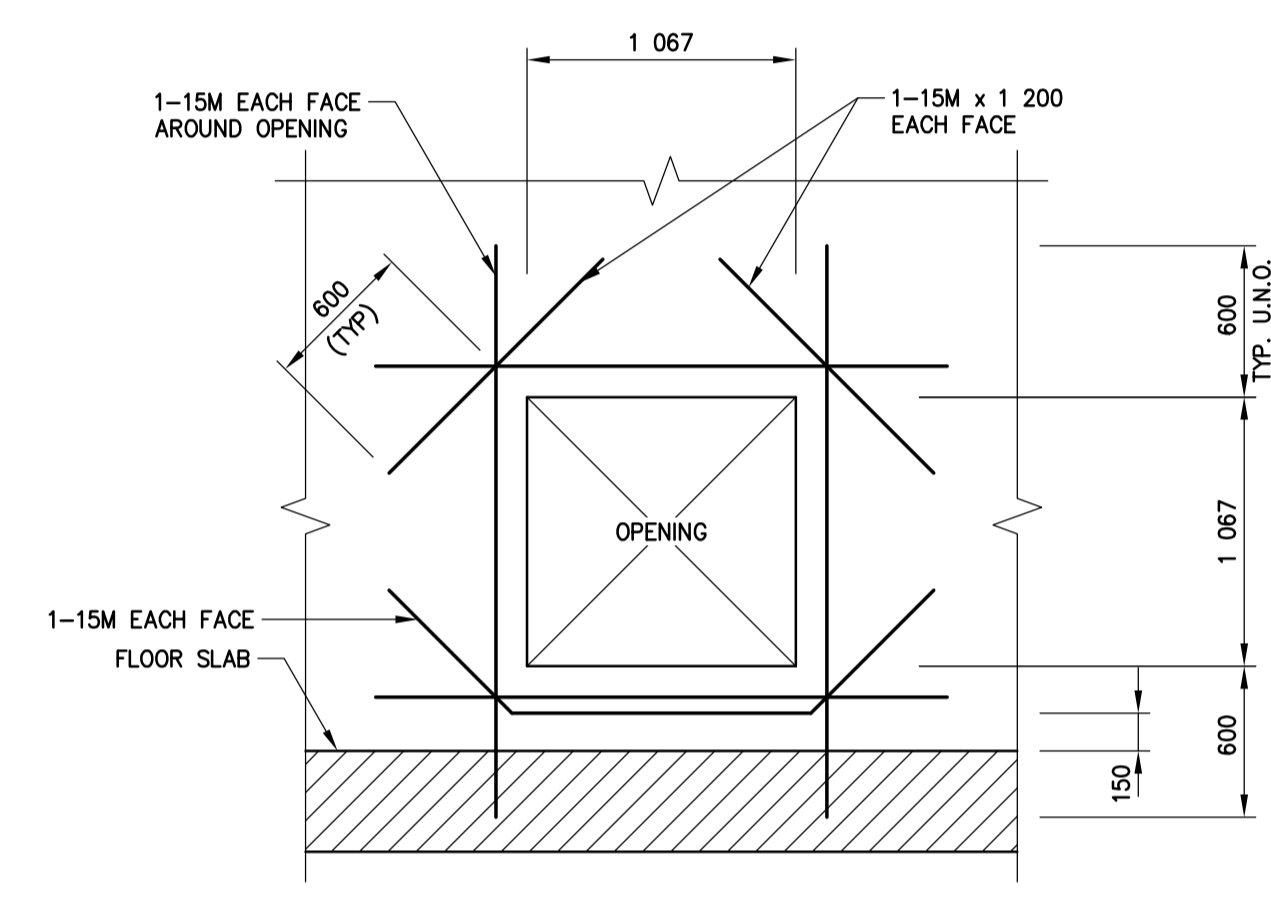
**NOTE:**  
 These design documents are prepared solely for the use by the party with whom the design professional has entered into a contract and there are no representations of any kind made by the design professional to any party with whom the design professional has not entered into a contract.



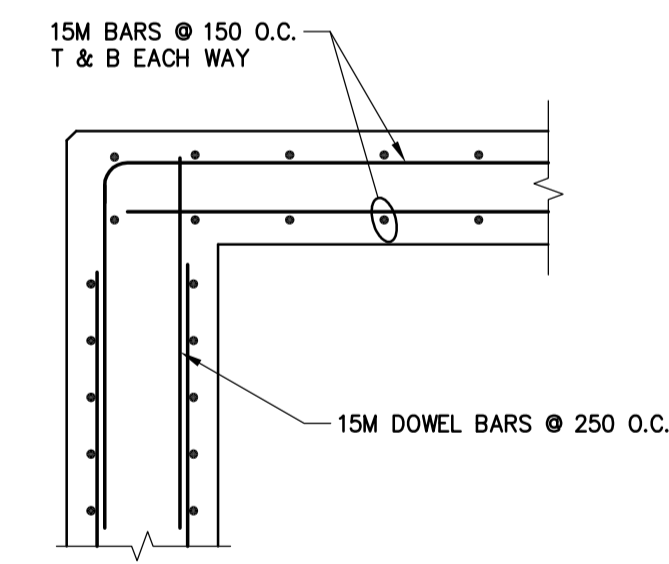
**SECTION A-S2**  
 (THROUGH C OF PIPE)  
 1:25



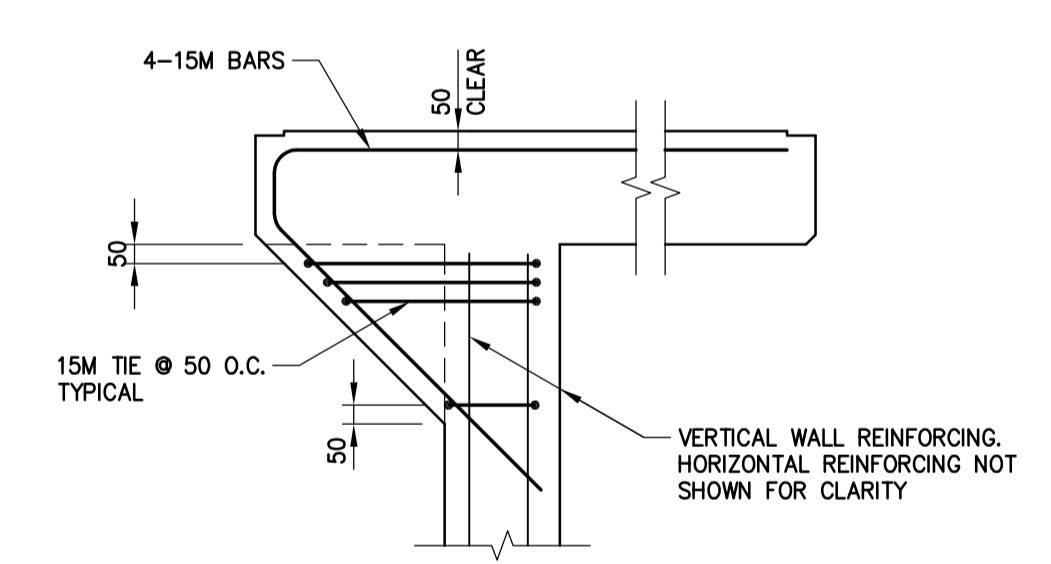
**ELEVATION 1-S2**  
 1:30



**ELEVATION 2-S2**  
 1:30



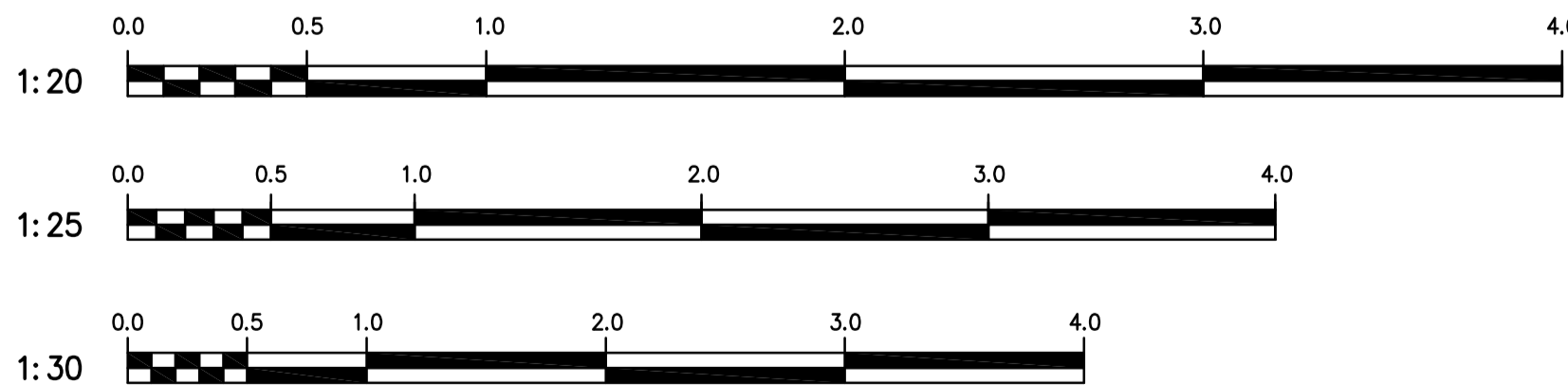
**SECTION D-S2**  
 1:20



**DETAIL 1-S2**  
 1:20

NOTE: WALL AND SLAB REINFORCING NOT SHOWN FOR CLARITY

NOTE: ROOF SLAB REINFORCING NOT SHOWN FOR CLARITY



A-B  
 C

**METRIC**  
 WHOLE NUMBERS INDICATE MILLIMETRES  
 DECIMALIZED NUMBERS INDICATE METRES

**APEGM**  
 Certificate of Authorization  
 ND LEA Engineers & Planners Inc.  
 No. 2728 Expiry: April 30, 2006

<b>ND LEA Engineers &amp; Planners Inc.</b> Suite 111-93 Lombard Avenue Winnipeg, Manitoba R3B 3B1 Phone (204) 943-3178 Facsimile (204) 943-4948		ENGINEER'S SEAL 
DESIGNED BY: MH	CHECKED BY: JPL	BID OPPORTUNITY 492-2005 PLOT DATE: 05 08 12
DRAWN BY: CDP	APPROVED BY: -	
HOR. SCALE: AS SHOWN	RELEASED FOR CONSTRUCTION	
1 -	-	
NO. REVISIONS	DATE	BY
	DATE 05 06 03	DATE

**THE CITY OF WINNIPEG**  
 WATER AND WASTE DEPARTMENT

**Winnipeg**

2005 OUTFALL GATE CHAMBER UPGRADES  
 EVANS STREET  
 LDS OUTFALL GATE CHAMBER  
 REINFORCING DETAILS

CONSULTANT DRAWING NUMBER: 41479-04-S2  
 SHEET: 5 OF 14  
 CITY DRAWING NUMBER: LD-3158