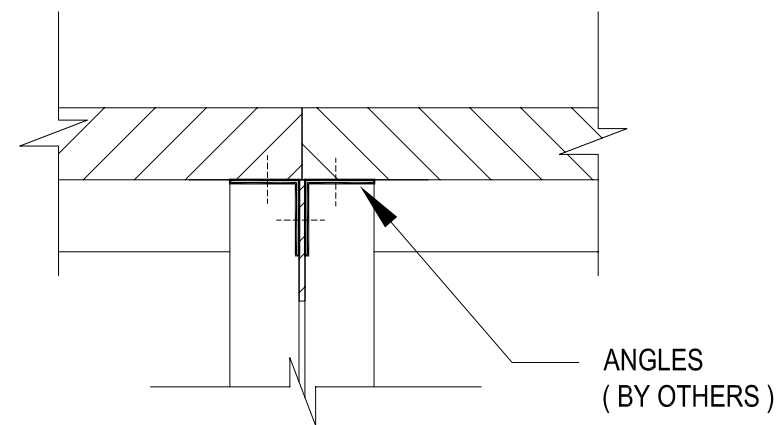
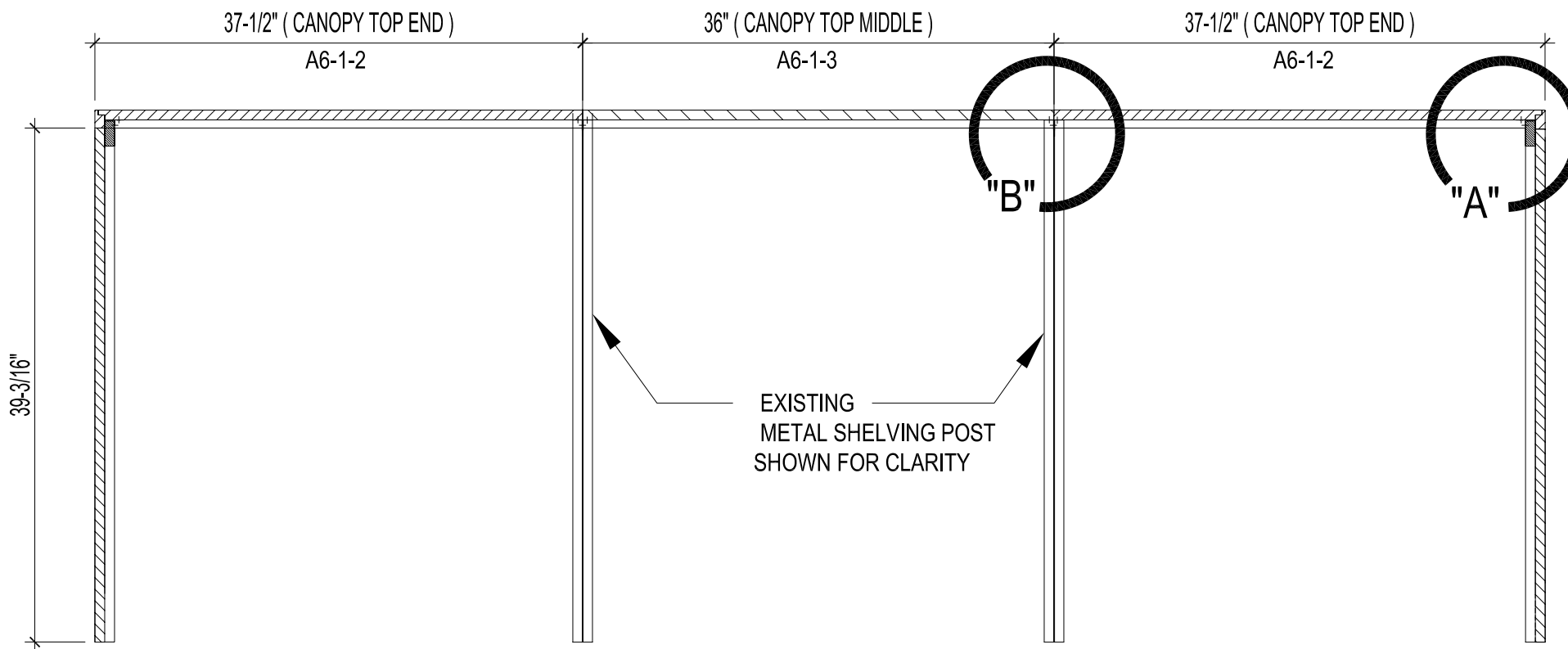


**DETAIL "A"**  
SCALE: 1/2"=1"



**DETAIL "B"**  
SCALE: 1/2"=1"



**ASSEMBLY**  
SCALE: 1"=1'-0"

**NOTES:**

1. WOOD FINISH & WOOD GRAIN TO MATCH EXISTING MILLWORK. UNDERSIDE SURFACE DOES NOT REQUIRE FINISH. CONTACT CONTRACT ADMINISTRATOR FOR MORE INFORMATION & MANDATORY SITE VISIT.
2. ALL DIMENSIONS ARE FOR REFERENCE ONLY. THE CONTRACTOR SHALL VISIT THE SITE AND SATISFY ONESELF THAT ALL DIMENSIONS AND DETAIL INFORMATION SHOWN ARE CORRECT.

NO.	REVISION/DESCRIPTION	BY	DATE
-----	----------------------	----	------

SEALS

DRN BY: TC	CHK BY:	APPROVED
DATE: 2005.08.02	USER APPROVAL	



CITY OF WINNIPEG  
PLANNING, PROPERTY &  
DEVELOPMENT DEPARTMENT  
CIVIC ACCOMODATIONS DIVISION  
300-65 GARRY ST., R3C 4K4

PROJECT  
**MILLENNIUM LIBRARY**  
CONSTRUCTION & DELIVERY OF  
END PANELS FOR LIBRARY SHELVING  
251 DONALD STREET

SHEET TITLE  
**AAA SHELVING  
ASSEMBLY**

SCALE AS SHOWN	PROJECT NO. 466-2005	SHEET NO. A6-1-1
-------------------	-------------------------	---------------------