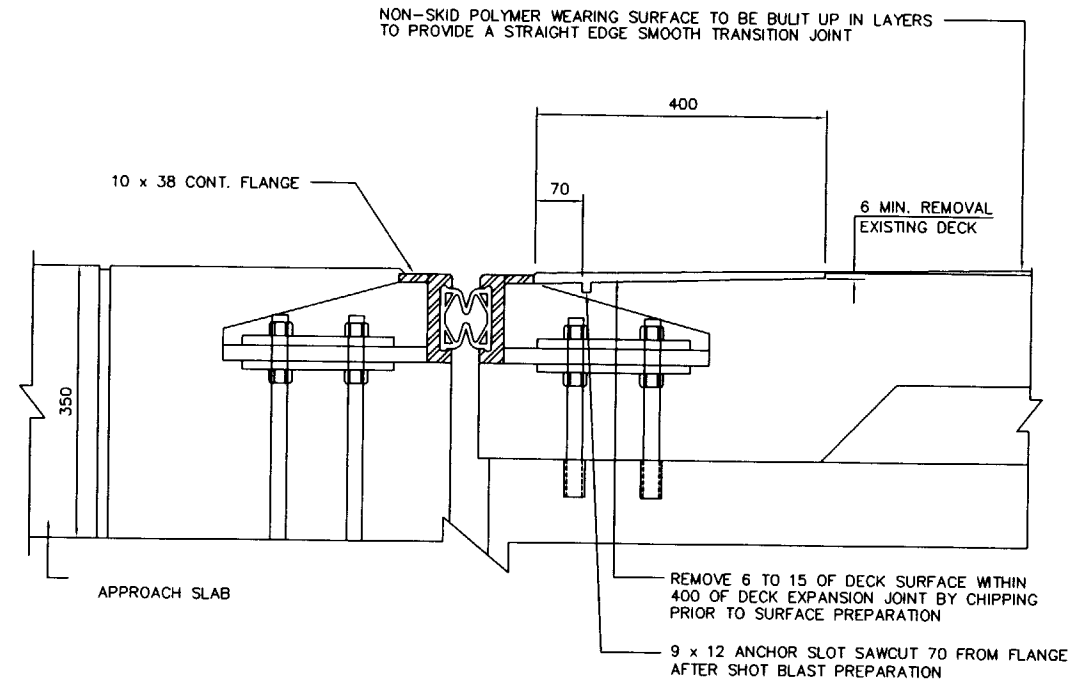
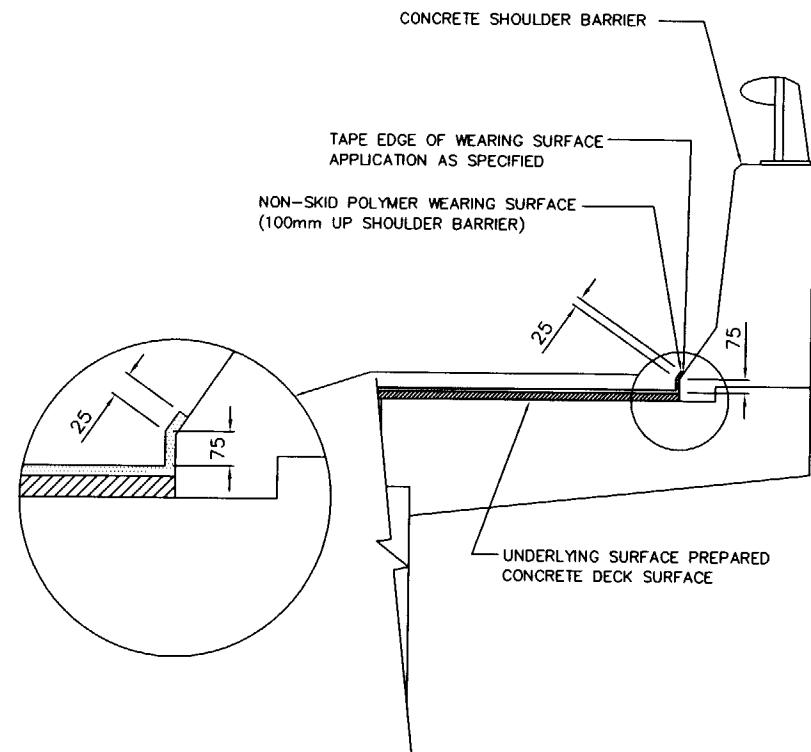


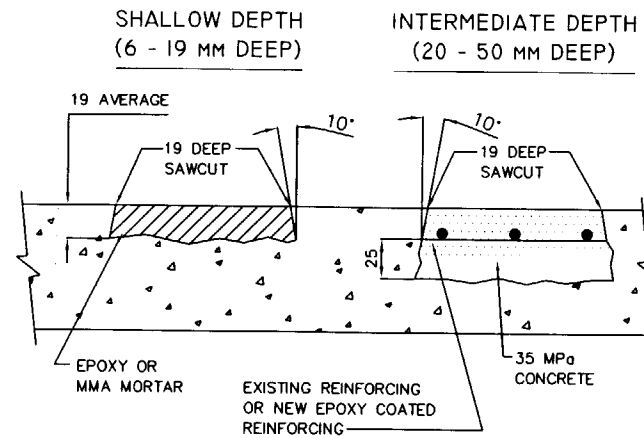
EXPANSION JOINT AT NORTH ABUTMENTS
N.T.S.



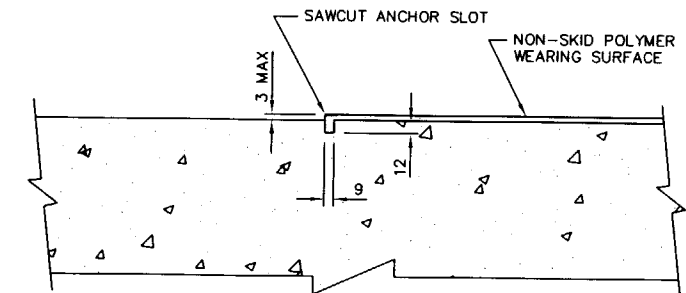
EXPANSION JOINT AT SOUTH ABUTMENTS
N.T.S.



TRAFFIC BARRIER DETAIL (TYPICAL)
N.T.S.



DECK REPAIR DETAILS
N.T.S.



TYPICAL ANCHOR DETAIL
N.T.S.

B.M. ELEV.	DESIGNED BY M.R.T.	ENGINEER'S SEAL		THE CITY OF WINNIPEG PUBLIC WORKS DEPARTMENT ENGINEERING DIVISION	SHEET 2 OF 2
	DRAWN BY M.R.T.				
	CHECKED BY B.A.N.	APPROVED BY B.A.N.	PEMBINA HIGHWAY BRIDGE OVER LA SALLE RIVER CONCRETE BRIDGE DECK SURFACE SEALING	HOR. SCALE: N.T.S. VERTICAL: N.T.S.	CITY DRAWING NUMBER B224-05-02
	AUTHORIZED BY	DATE			
NO. REVISIONS	DATE	BY	B.A. NEIRINCK BRIDGE PLANNING & OPERATIONS ENGINEER	BID OPPORTUNITY NO.: 458 - 2005	WEARING SURFACE DETAILS