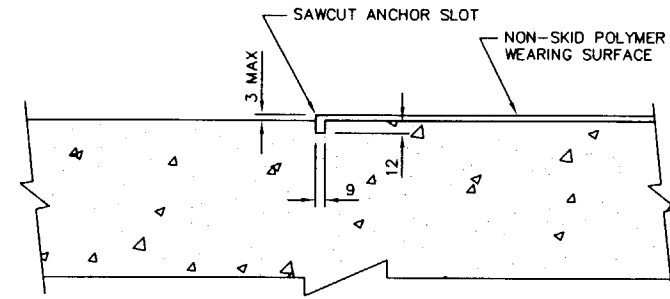
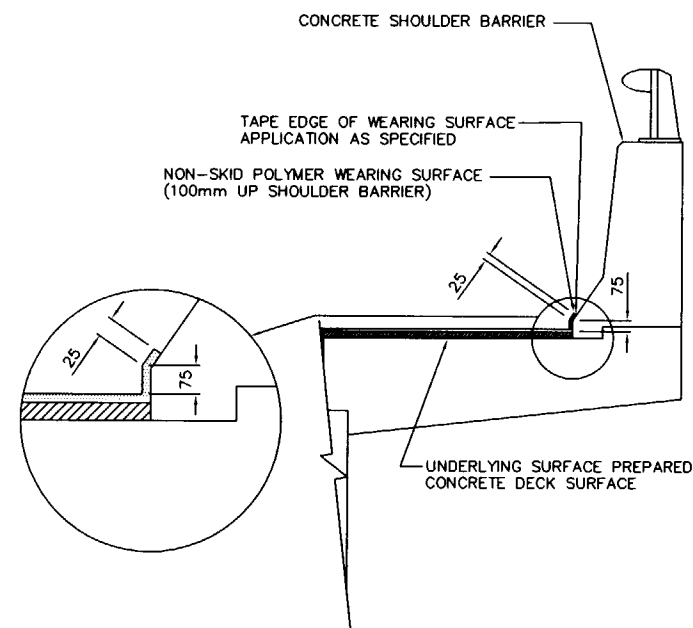


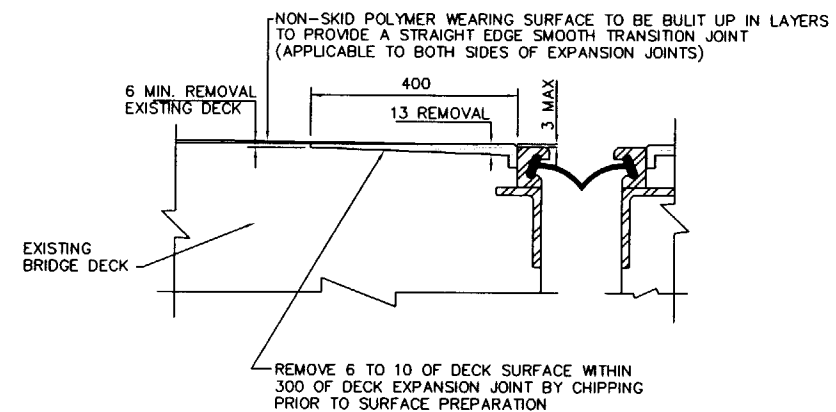
**DECK REPAIR DETAILS**  
N.T.S.



**TYPICAL ANCHOR DETAIL**  
N.T.S.



**TRAFFIC BARRIER DETAIL (TYPICAL)**  
N.T.S.



**EXPANSION JOINT (TYPICAL)**  
N.T.S.

B.M. ELEV.	DESIGNED BY	M.R.T.		 THE CITY OF WINNIPEG PUBLIC WORKS DEPARTMENT ENGINEERING DIVISION	SHEET 2 OF 2
	DRAWN BY	M.R.T.			
	CHECKED BY	B.A.H.			
	APPROVED BY	B.A.H.			
	AUTHORIZED BY	DATE			
	NO. REVISIONS	DATE BY			